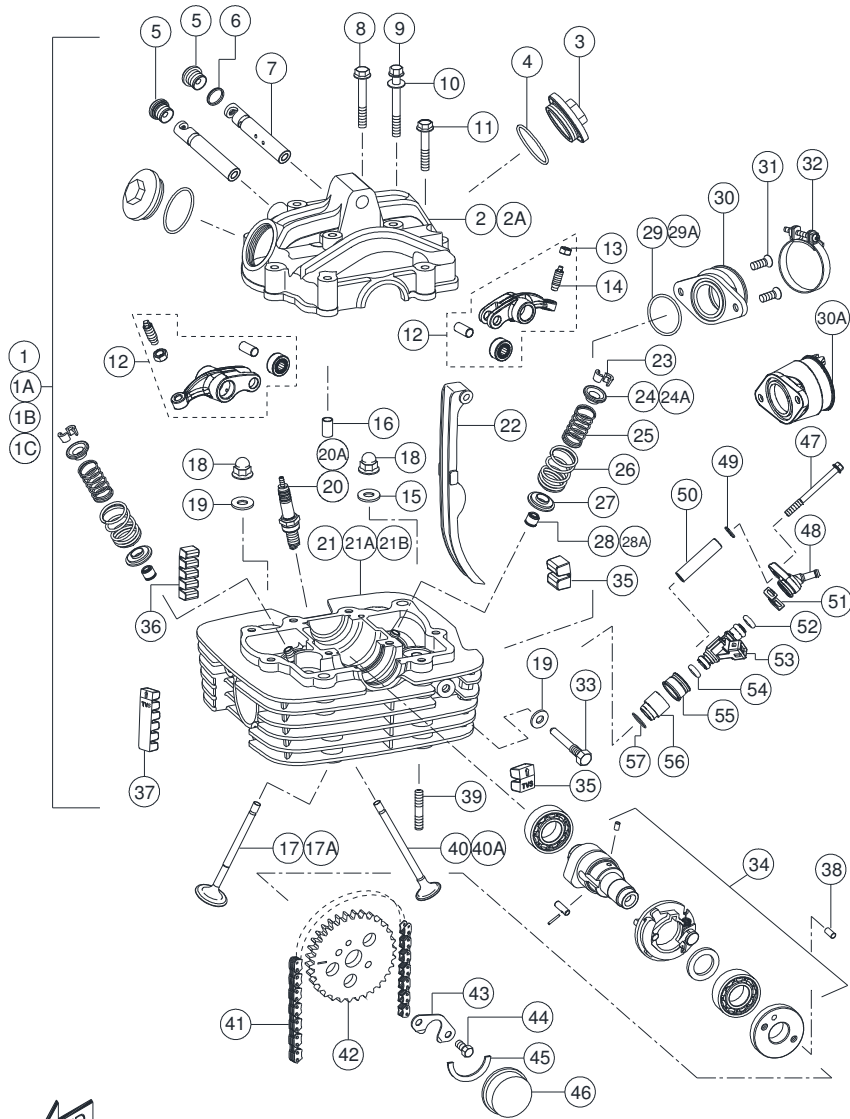




**APACHE / APACHE RTR/ RTR REF. / RTR EFI / NEW RTR REF.**

## **PARTS CATALOGUE**

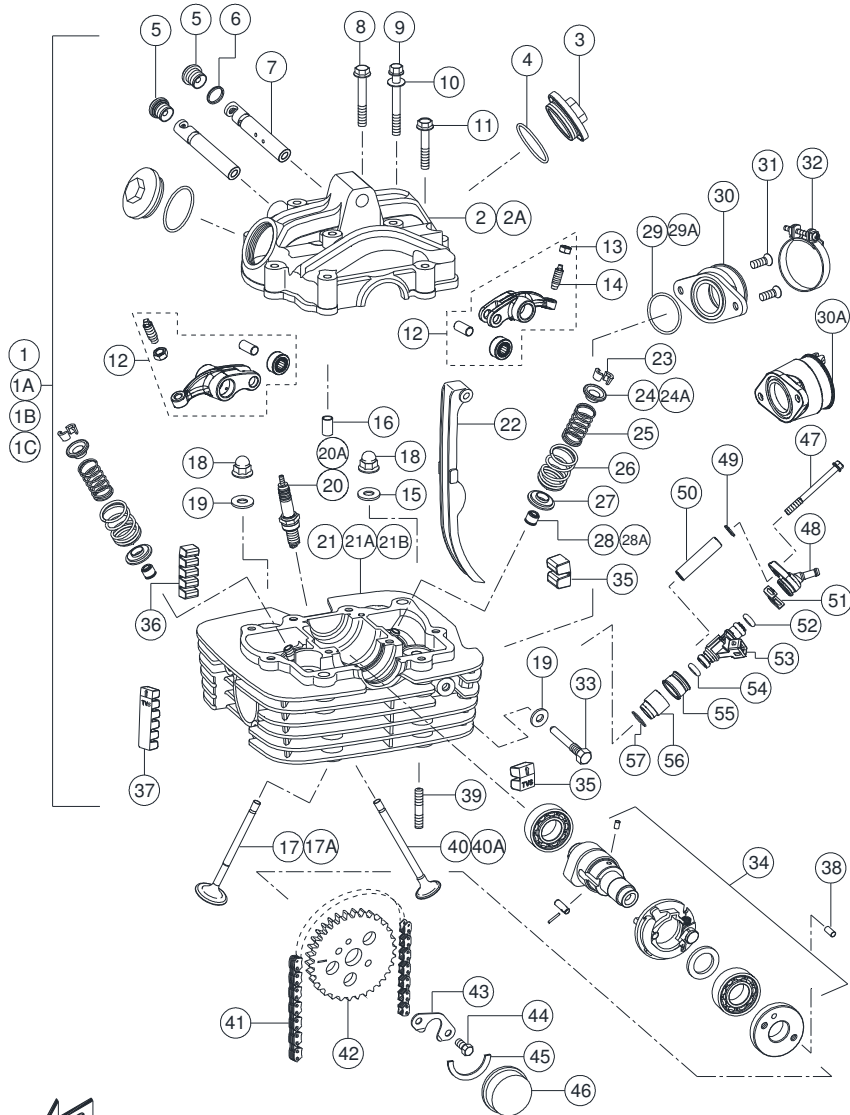


CYLINDER HEAD ASSEMBLY

**CYLINDER HEAD ASSEMBLY**

REF NO.	PART NO.	DESCRIPTION	NO. OFF					REMARKS	
			APACHE 150		RTR	RTR	RTR		
			DR BR	DISC FR BR	REF.	EFI	REF.		
1	M7321360	CYLINDER HEAD ASSEMBLY KIT	1	1				**	
1A	M7321980	CYLINDER HEAD ASSEMBLY KIT			1	1		1	**
1B	N9322670	CYLINDER HEAD ASSEMBLY KIT					1		**
1C	N9011920	CYLINDER HEAD ASSEMBLY KIT						1	<b>BSIV</b>
2	----	COVER CYLINDER HEAD	1	1					
2A	----	COVER CYLINDER HEAD			1	1	1	1	
3	R1011010	CAP INSPECTION HOLE	2	2	2	2	2	2	
4	R1200490	O-RING 29.5x3	2	2	2	2	2	2	
5	M1010540	PLUG ROCKER ARM SHAFT	2	2	2	2	2	2	
6	M1080520	GASKET - OIL DRAIN 13.8 x 4.8	2	2	2	2	2	2	
7	M7010850	SHAFT VALVE ROCKER ARM	2	2	2	2	2	2	
8	M1200600	HEX FLANGE BOLT M6x45	2	2	2	2	2	2	
9	M1200010	HEX FLANGE BOLT M6x55	4	4	4	4	4	4	
10	N2010960	GASKET CYLINDER HD COVER BOL	4	4	4	4	4	4	
11	M1200590	HEX FLANGE BOLT M6x35	4	4	4	4	4	4	
12	R1011000	ARM VALVE ROCKER ASSY.	2	2	2	2	2	2	
13	S1010250	NUT TAPPET ADJUSTING	2	2	2	2	2	2	
14	S1010240	SCREW TAPPET ADJUSTING	2	2	2	2	2	2	
15	M1200060	PUNCHED WASHER 8.5x18x2.3	2	2	2	2	2	2	
16	M1010090	PIN CYLINDER HEAD COVER KNOCK	2	2	2	2	2	2	
17	M1010550	VALVE INTAKE	1	1					
17A	M7010270	VALVE INTAKE			1	1	1	1	
18	M1200050	DOMED NUT WITH FLANGE M8	4	4	4	4	4	4	
19	M1010360	GASKET CYLINDER HEAD NUT	2	2	2	2	2	2	
20	M7011010	SPARK PLUG (UR5 DDC)	1	1	1	1	1	1	
20A	G4011180	SPARK PLUG W/O FERRUL						1	<b>BSIV</b>
21	M7010770	HEAD COMP. CYLINDER APACHE	1	1					
21A	M7321990	HEAD COMP. CYLINDER RTR			1	1		1	
21B	M7011070D	HEAD COMP. CYLINDER EFI					1		
22	M1080990	TENSIONER CAM CHAIN	1	1	1	1	1	1	
23	S1010320	COTTER VALVE	4	4	4	4	4	4	

\*\* - REFER KIT &amp; KIT CONTENTS

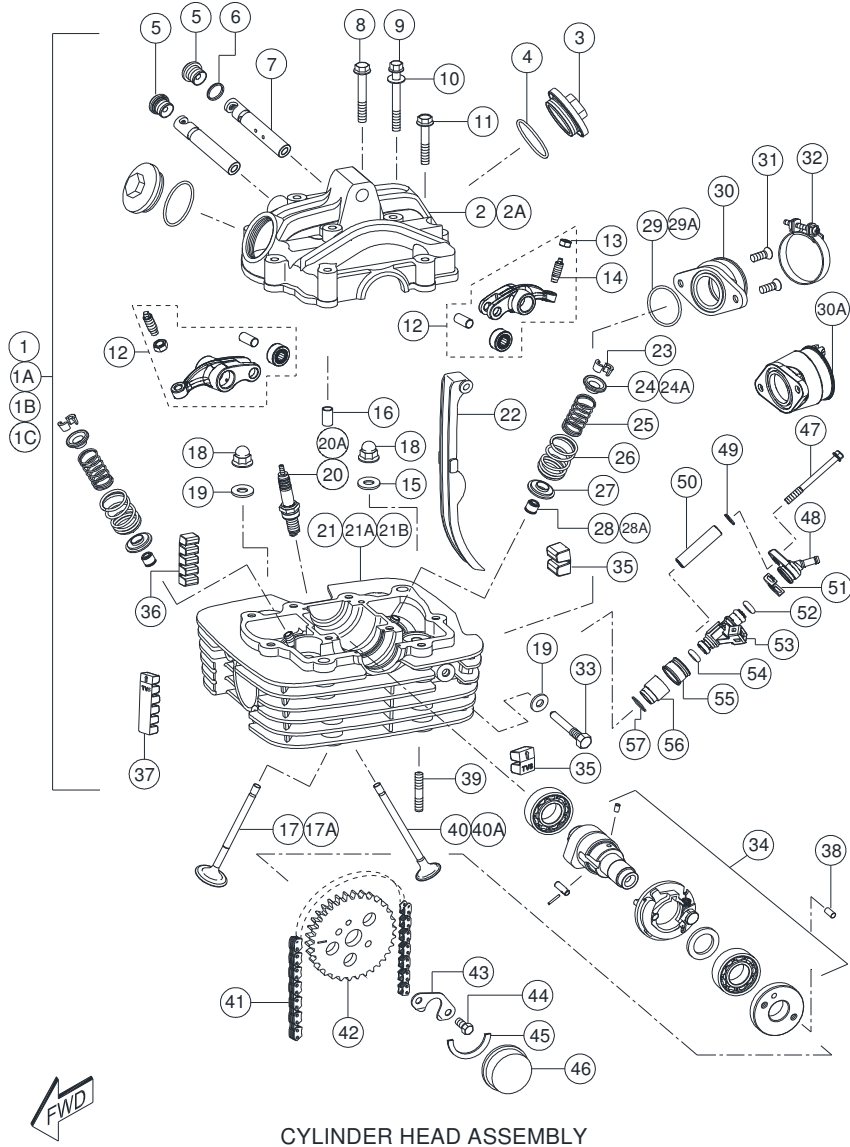


CYLINDER HEAD ASSEMBLY

## CYLINDER HEAD ASSEMBLY

REF NO.	PART NO.	DESCRIPTION	NO. OFF					REMARKS	
			APACHE 150		RTR	RTR REF.	RTR EFI		RTR REF.
			DR BR	DISC FR BR	REAR	DISC	NEW		
24	N2011040	RETAINER VALVE SPRING	2	2	2	2	2	2	
25	N3011280	SPRING VALVE INNER	2	2	2	2	2	2	
26	M1010580	SPRING VALVE OUTER	2	2	2	2	2	2	
27	M1010610	SEAT VALVE SPRING	2	2	2	2	2	2	
28	M1010620	SEAL VALVE STEM OIL	2	2	2	2	2	2	
28A	N4011100	VALVE STEM OIL SEAL							2
29	M1080640	O RING	1	1	1	1			
29A	M1200220	O RING 31.7x2.4					1	1	
30	M7040730	PIPE COMPLETE INTAKE	1	1	1	1			1
30A	M7040260	PIPE COMPLETE INTAKE						1	
31	0332228	CRR PAN HEAD SCREW	2	2	2	2	2	2	2
32	M1040140	CLAMP INTAKE PIPE	1	1	1	1	1	1	1
33	M1080510	BOLT CAM CHAIN TENSIONER	1	1	1	1	1	1	1
34	M7010800	CAMSHAFT ASSY.	1	1	1	1	1	1	1
35	M7011110	DAMPER CYLINDER HEAD 1	2	2	2	2	2	2	2
36	M7011120	DAMPER CYLINDER HEAD 2	1	1	1	1	1	1	1
37	M7011130	DAMPER CYLINDER HEAD 3	2	2	2	2	2	2	2
38	M1010490	PIN SPROCKET KNOCK	1	1	1	1	1	1	1
39	M1200780	STUD BOLT CYLINDER HEAD	4	4	4	4	4	4	4
40	M1010560	VALVE EXHAUST	1	1					
40A	M7010280	VALVE EXHAUST			1	1	1	1	1
41	M1010200	CAM CHAIN . CAMSHAFT DRIVE (LINK 9)	1	1	1	1	1	1	1
42	M1010210	SPROCKET CAMSHAFT 32T	1	1	1	1	1	1	1
43	M1080500	WASHER SPROCKET	1	1	1	1	1	1	1
44	420452700	HEX SCREW M6x12	2	2	2	2	2	2	2
45	M7010840	C - RING CAMSHAFT	1	1	1	1	1	1	1
46	M7010910	PLUG CYLINDER HEAD	1	1	1	1	1	1	1

FIG.No.01



**CYLINDER HEAD ASSEMBLY**

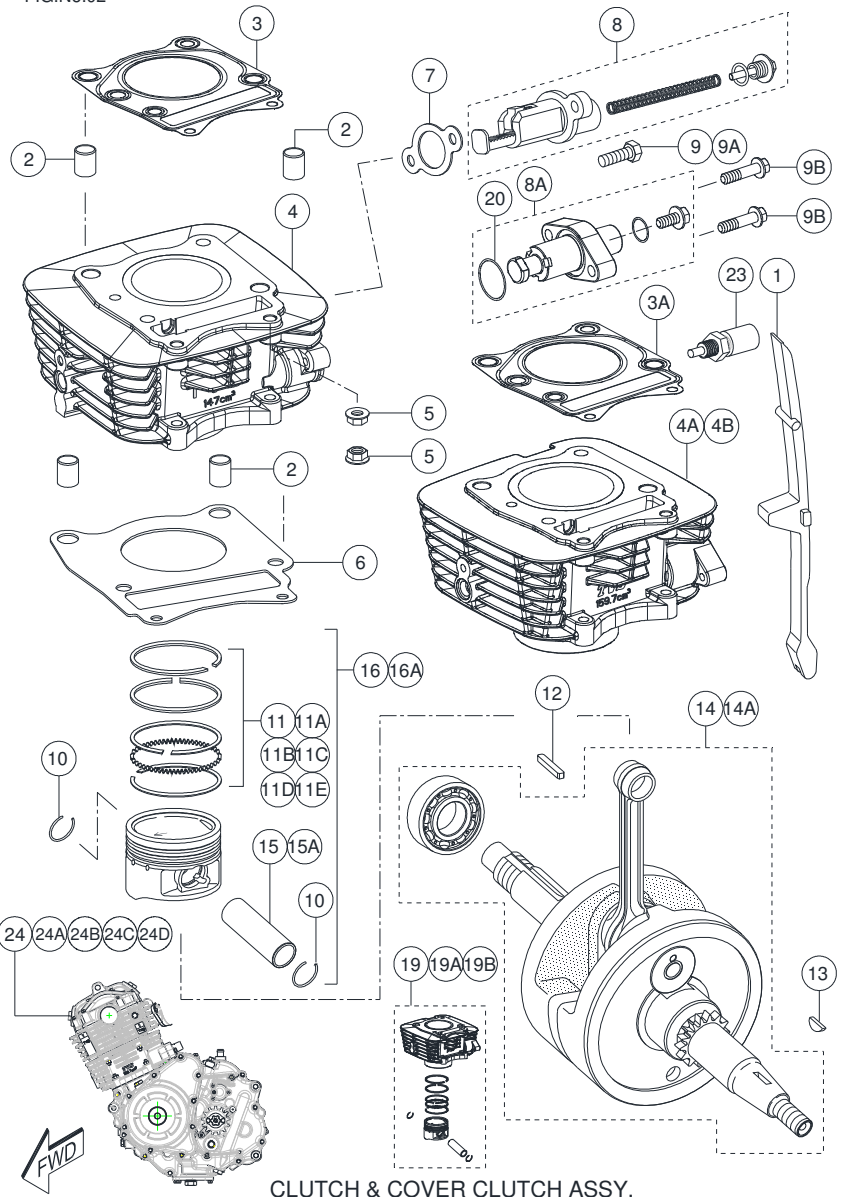
FIG.NO. 01

REF NO.	PART NO.	DESCRIPTION	NO. OFF					REMARKS	
			APACHE 150		RTR REF.	RTR EFI	RTR REF.		
			DR BR	DISC FR BR	REAR DISC	NEW			
47	M1200540	HEX FLANGE BOLT M6x65					1	1	
48	N3040620	INJECTOR CAP					1	1	
49	N3200120	PUNCHED WASHER 6.5x13x1.0					1	1	
50	M7040470	SPACER INJECTOR CAP					1	1	
51	---	CLIP INJECTOR					1	1	
52	N9322170	EXTRANEL UPPER O RING					1	1	
53	M9060130	INJECTOR ASSY.					1	1	
54	N9322180	EXTRANEL LOWER O RING					1	1	
55	M7011300	GROMMET INJECTOR					1	1	
56	M7011250	SPACER INJECTOR					1	1	
57	M7011150	O RING					1	1	
58	M1320250	ENGINE VALVE KIT	1	1					**
58A	M7322010	ENGINE VALVE KIT			1	1	1	1	**
59	N9041420	SEAL INJECTOR TOP					1		N.I
60	N9041430	SEAL INJECTOR BOTTOM					1		N.I

\*\* REF. KIT & KIT CONTENTS  
N.I - NOT ILLUSTRATED



FIG.No.02



CLUTCH & COVER CLUTCH ASSY.

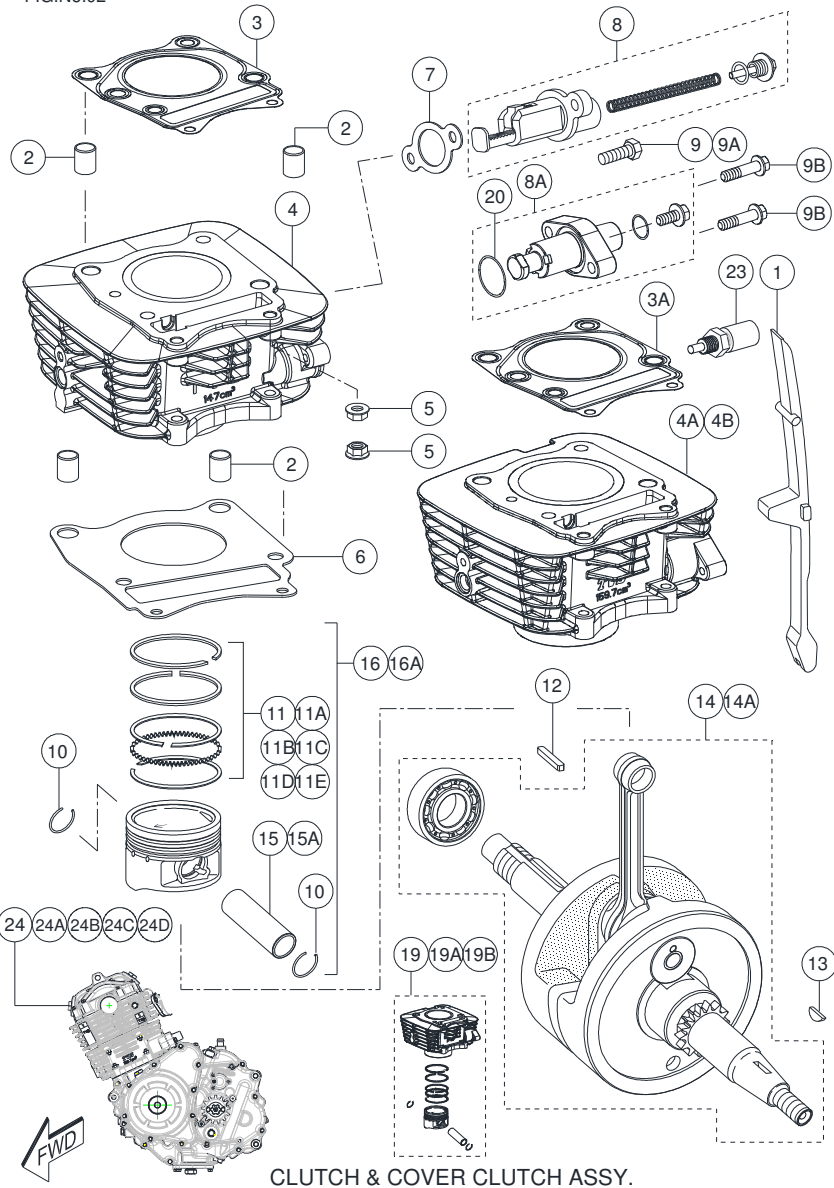
**CYLINDER BLOCK & CRANK SHAFT ASSY.**

FIG.NO. 02

REF NO.	PART NO.	DESCRIPTION	NO. OFF					REMARKS	
			APACHE 150		RTR	RTR REF.	RTR EFI		RTR REF.
			DR BR	DISC FR BR	REAR DISC	NEW			
1	M1010250	GUIDE CAM CHAIN	1	1	1	1	1	1	
2	S1200270	TUBULAR DOWEL	4	4	4	4	4	4	
3	M1010100	GASKET CYLINDER HEAD	1	1					
3A	M7010210	GASKET CYLINDER HEAD			1	1	1		
3B	M7011320	GASKET CYLINDER HEAD			1	1	1	1	
4	M7010050	CYLINDER COMPLETE (150cc)	1	1					
4A	M70112607D	CYLINDER COMPLETE (160cc)			1	1		1	
4B	M70110907D	CYLINDER COMPLETE (160cc)						1	
5	M1200900	HEX FLANGE NUT M6	4	4	4	4	4	4	
6	M1010660	GASKET CYLINDER (BASE)	1	1	1	1	1	1	
7	M1010510	GASKET TENSIONER ADJUSTER	1	1	1	1	1	1	
8	M1010180	ADJUSTER ASSY. TENSIONER	1	1					
8A	M7011370	ADJUSTER ASSY. TENSIONER			1	1	1	1	
9	M1200610	HEX SCREW M6x20	2	2					
9A	420452700	HEX SCREW M6x20			2				
9B	N2200500	HEX FLANGE BOLT M6x25				2	2	2	
10	M1010440	CIRCLIP PISTON PIN	2	2	2	2	2	2	
11	M1010630	RING SET PISTON - STD	1	1					**
11A	M7322020	RING SET PISTON - STD RTR			1	1	1	1	"
11B	M1320440	RING SET PISTON - I O/S	1	1					"
11C	M7321960	RING SET PISTON - I O/S RTR			1	1	1	1	"
11D	M1320450	RING SET PISTON - II O/S	1	1					"
11E	M7321970	RING SET PISTON - II O/S RTR			1	1	1	1	"
12	N3080170	KEY 4x4x15 (RECTANGULAR)	1	1	1	1	1	1	
13	M1200760	WOODRUFF KEY (HALF ROUND TYPE)	1	1	1	1	1	1	
14	N9020120	CRANKSHAFT ASSEMBLY	1	1					
14A	M7020270	CRANKSHAFT ASSEMBLY			1	1	1	1	

\*\* REF KIT & KIT CONTENTS

FIG.No.02



CLUTCH & COVER CLUTCH ASSY.

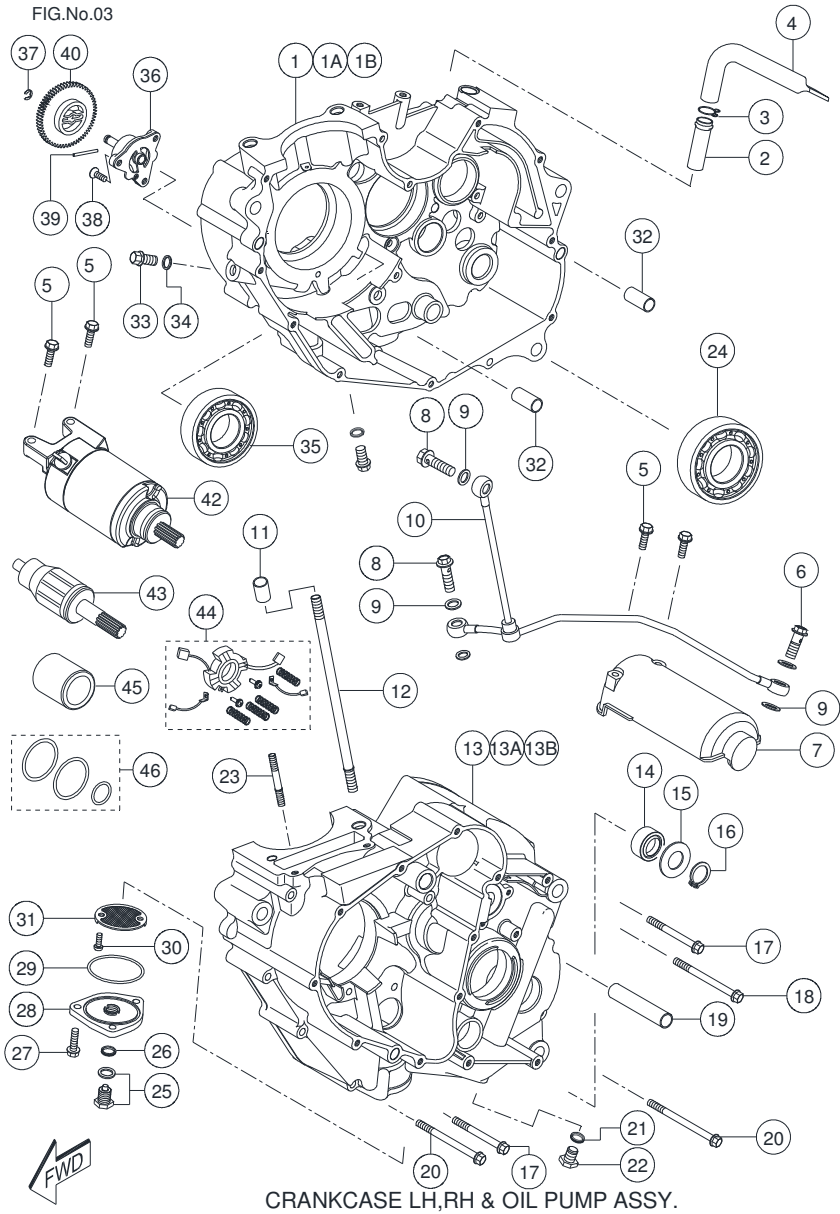
**CYLINDER BLOCK & CRANK SHAFT ASSY.**

FIG.NO. 02

REF NO.	PART NO.	DESCRIPTION	NO. OFF					REMARKS	
			APACHE 150		RTR	RTR REF.	RTR EFI		RTR REF.
			DR BR	DISC FR BR	REAR DISC	NEW			
15	M1010130	PIN PISTON	1	1					
15A	M7020370	PIN PISTON			1	1	1	1	
16	M7321380	PISTON KIT DIA 57 - STD	1	1					**
16A	M7321630	PISTON KIT DIA 62 - STD			1	1	1	1	**
17	M7321390	PISTON KIT DIA 57.5 - I O/S	1	1					**
17A	M7321640	PISTON KIT 62.5 - I O/S			1	1	1	1	**
18	M7321400	PISTON KIT DIA 58 - II O/S	1	1					**
18A	M7321650	PISTON KIT DIA 63 - II O/S			1	1	1	1	**
19	M7321370	CYLINDER BLOCK & PISTON KIT	1	1					**
19A	M7322000	CYLINDER BLOCK & PISTON KIT			1	1		1	**
19B	N9322680	CYLINDER BLOCK & PISTON KIT					1		
20	R1321190	O' RING ADJUSTER TENSIONER			1	1	1	1	
21	R1321210	O' RING CAP ADJUSTER			1	1	1	1	
22	R1321200	CAP ADJUSTER TENSIONER			1	1	1	1	
23	M9060090	ENGINE TEMP. SENSOR					1		
24	M7180160	ENGINE ASSEMBLY KS	1						
24A	M7180110	ENGINE ASSEMBLY ES		1					
24B	M71801807D	ENGINE ASSEMBLY ES			1	1			
24C	M7180150	ENGINE ASSEMBLY ES					1		
24D	N9180470	ENGINE ASSEMBLY ES						1	
24E	N9181010	ENGINE ASSEMBLY ES						1	<b>BSIV</b>

\*\* REF KIT & KIT CONTENTS

FIG.No.03

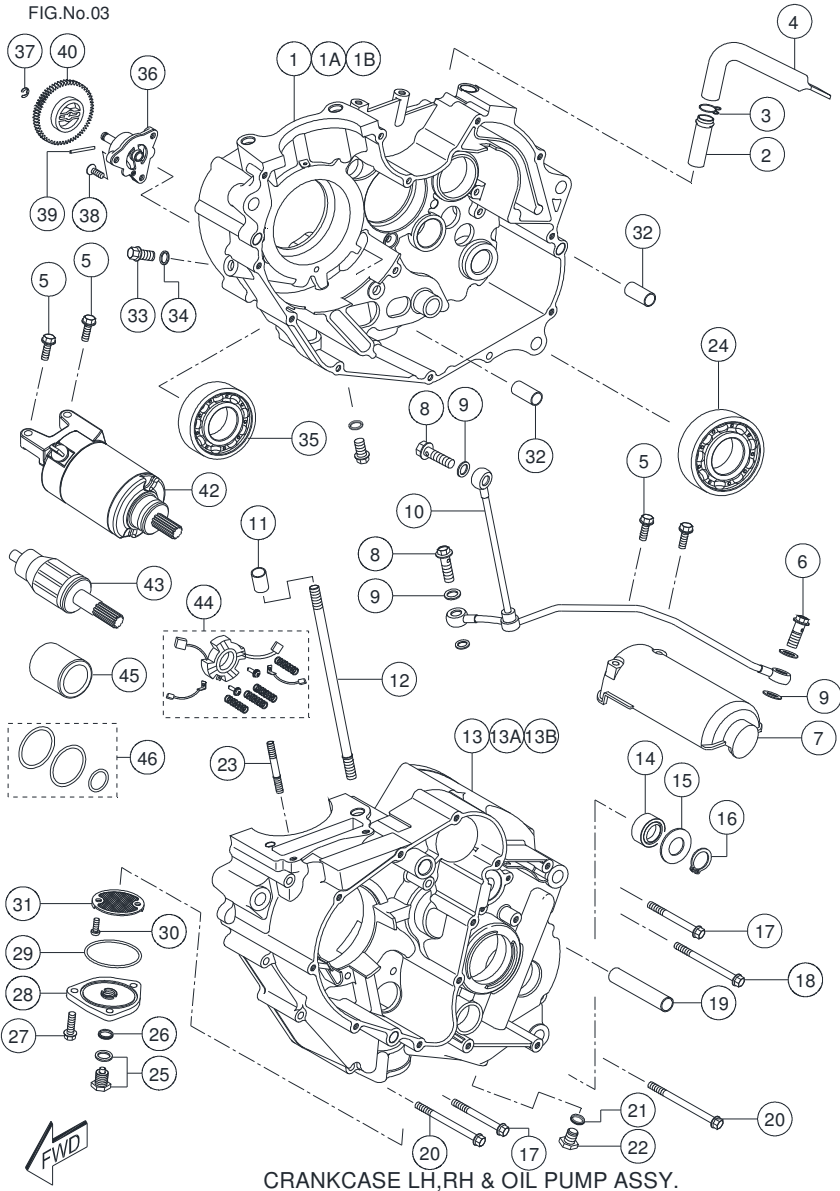


**CRANKCASE LH, RH & OIL PUMP ASSY.**

FIG.NO. 03

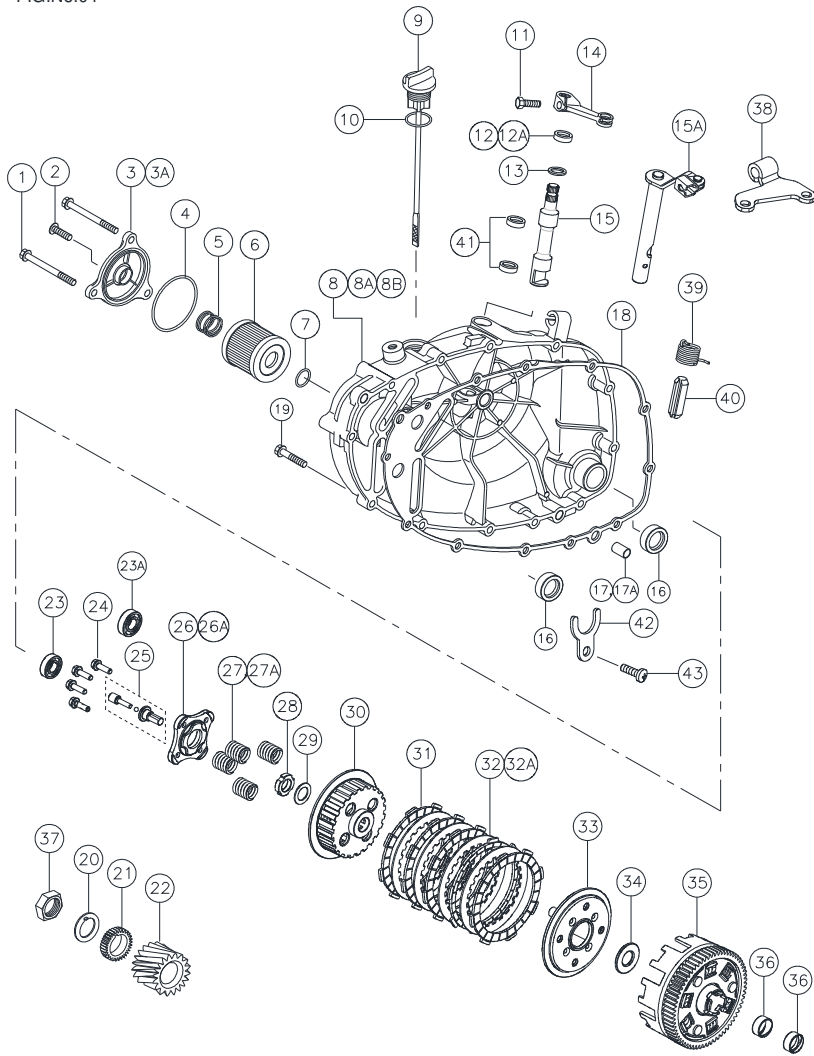
REF NO.	PART NO.	DESCRIPTION	NO. OFF					REMARKS	
			APACHE 150		RTR	RTR REF.	RTR EFI		RTR REF.
			DR BR	DISC FR BR	REAR DISC	NEW			
1	M7321480	CRANKCASE ASSY RH	1	1					
1A	M7322050	CRANKCASE ASSY. RH			1	1	1		
1B	N9322780	CRANKCASE ASSY. RH							1
2	M1080360	UNION BREATHER	1	1	1	1	1	1	1
3	M1080650	CLAMP HOSE	1	1	1	1	1	1	1
4	M1040740	TUBE BREATHER	1	1	1	1	1	1	1
5	M1200510	HEX FLANGE BOLT M6x25	2	2	2	2	2	2	2
6	M1081090	UNION BOLT OIL PIPE	1	1	1	1	1	1	1
7	M1080340	COVER CRANKCASE	1						
8	M1080380	UNION BOLT OIL PIPE	2	2	2	2	2	2	2
9	M1080370	GASKET OIL PIPE UNION	6	6	6	6	6	6	6
10	M1010260	PIPE COMP. HEAD & T/M OIL	1	1	1	1	1	1	1
11	0074010	DOWEL PIN	4	4	4	4	4	4	4
12	M1010400	BOLT CYLINDER STUD L142	4	4	4	4	4	4	4
13	M7030400	CRANKCASE COMP. LH	1						
13A	M7030070	CRANKCASE COMP. LH		1					
13B	M7030070D	CRANKCASE COMP. LH			1	1	1	1	1
14	N2081720	OILSEAL	1	1	1	1	1	1	1
15	M1200920	PUNCHED WASHER	1	1	1	1	1	1	1
16	M1200870	CIRCLIP 12x1	1	1	1	1	1	1	1
17	M7200730	HEX FLANGE BOLT M6x55	9	9	9	9	9	9	9
18	M1200440	HEX FLANGE BOLT M6x75	3	3	3	3	3	3	3
19	M1080430	PIN MAGNETO COVER	1	1	1	1	1	1	1
20	M1200450	HEX FLANGE BOLT M6x95	1	1	1	1	1	1	1
21	M1080420	GASKET TDC PLUG	1	1	1	1	1	1	1
22	M1200080	HEX SCREW M12x10	1	1	1	1	1	1	1
23	M1200780	STUD BOLT CYLINDER HEAD	2	2	2	2	2	2	2

KS  
ES  
"


**CRANKCASE LH, RH & OIL PUMP ASSY.**

REF NO.	PART NO.	DESCRIPTION	NO. OFF					REMARKS	
			APACHE 150		RTR	RTR REF.	RTR EFI		RTR REF.
			DR BR	DISC FR BR	REAR DISC	NEW			
24	M7200530	BALL BEARING 35x72x17	1	1	1	1	1	1	
25	M1080580	PLUG OIL DRAIN	1	1	1	1	1	1	
26	S1011290	SEALING WASHER	1	1	1			1	
27	M1200530	HEX FLANGE BOLT M6x20	3	3	3	3	3	3	
28	M1080570	CAP OIL STRAINER	1	1	1	1	1	1	
29	M1080610	O-RING 60.5x2.4	1	1	1	1	1	1	
30	420515000	CRR PAN HD SCREW M4x10	2	2	2	2	2	2	
31	M1080560	STRAINER COMP. ENGINE OIL	1	1	1	1	1	1	
32	M1030120	PIN CRANKCASE	2	2	2	2	2	2	
33	M1200070	HEX FLANGE BOLT M10x12	2	2	2	2	2	2	
34	N2081600	GASKET OIL GALLERY PLUG	2	2	2	2	2	2	
35	M1200140	BALL BEARING 28x68x18	1	1	1	1	1	1	
36	N9080240	PUMP ASSEMBLY OIL	1	1	1	1	1	1	
37	M1200730	CIRCLIP 6x0.8	1	1	1	1	1	1	
38	0332228	CRR CSK HEAD SCREW M6x20	3	3	3	3	3	3	
39	0064014	PIN CLUTCH SPG	1	1	1	1	1	1	
40	M7081220	GEAR OIL PUMP DRIVEN	1	1	1	1	1	1	
42	M1060060	STARTER MOTOR ASSY.	1	1	1	1	1	1	

FIG.No.04



CLUTCH & COVER CLUTCH ASSY.

**CLUTCH & COVER CLUTCH ASSY.**

FIG.NO. 04

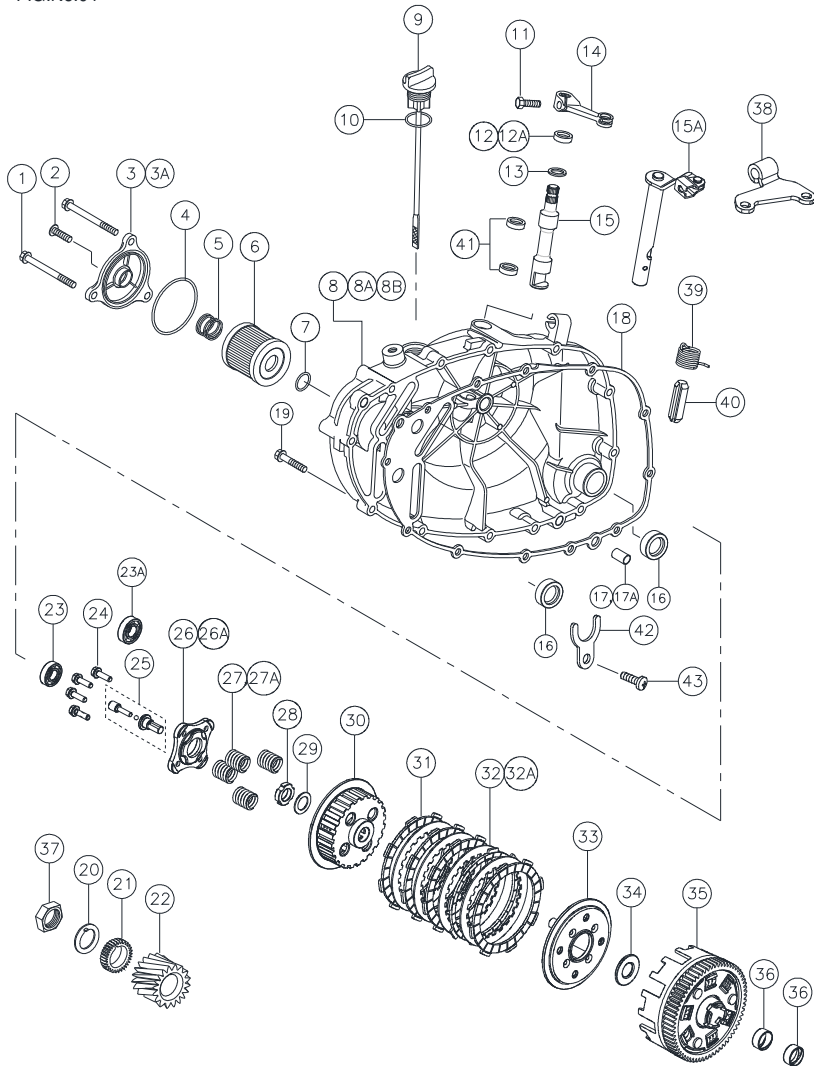
REF NO.	PART NO.	DESCRIPTION	NO. OFF					REMARKS	
			APACHE 150		RTR	RTR REF.	RTR EFI		RTR REF.
			DR BR	DISC FR BR		REAR DISC	NEW		
1	M1200540	HEX FLANGE BOLT M6x65	2	2	2	2	2		
2	M7200720	HEX FLANGE BOLT M6x16	1	1	1	1	1		
3	M7080960	CAP OIL FILTER PAINTED	1	1					
3A	M70809607D	CAP OIL FILTER PAINTED			1	1	1	1	
4	M1080600	O RING 52.6x2.4	1	1	1	1	1	1	
5	M1080620	SPRING OIL FILTER	1	1	1	1	1	1	
6	M1080540	FILTER COMPLETE ENGINE OIL	1	1	1	1	1	1	
7	M1080590	O RING 13x1.9	1	1	1				
8	M7030120	COVER CLUTCH	1*	1*					
8A	M7030420	COVER CLUTCH NEW	1	1					
8B	M70304207D	COVER CLUTCH			1	1	1	1	
9	N2081150	GAUGE OIL LEVEL	1	1	1	1	1	1	
10	M1080400	O RING 16.8x3.1	1	1	1	1	1	1	
11	M1200620	HEX SCREW M6x16	1	1					
12	M1200340	OIL SEAL10x17x5	1*	1*					
12A	M7200490	OIL SEAL 12x18x4	1	1	1	1	1	1	
13	M1200320	PUNCHED WASHER 12.5x17x1	1	1					
14	M1070080	ARM CLUTCH RELEASE	1	1					
14A	M7321700	ARM CLUTCH RELEASE	1#	1#					
15	M7070160	ROD CLUTCH RELEASE	1	1					
15A	M7070350	ROD COMP. CLUTCH RELEASE	1	1	1	1	1	1	
16	N2200550	OIL SEAL 12x2x17	1	1	1	1	1	1	
17	M1030150	DOWEL PIN CLUTCH COVER	1	1					
17A	0074010	DOWEL PIN			2	2	2	2	
18	M1080330	GASKET CLUTCH COVER	1	1	1	1	1	1	
19	M7200740	HEX FLANGE BOLT M6x30	10	10	10	10	10	10	
20	M1080630	WASHER PRIMARY DRIVE GEAR	1	1	1	1	1	1	

\* - APPLICABLE FOR THE VEHICLES PRODUCED BEFORE FEB 2007

# - FOR DETAILS REFER SIB/M.CYCLE 03/07-08 DATED - 10.07.2008



FIG.No.04



CLUTCH & COVER CLUTCH ASSY.

**CLUTCH & COVER CLUTCH ASSY.**

FIG.NO. 04

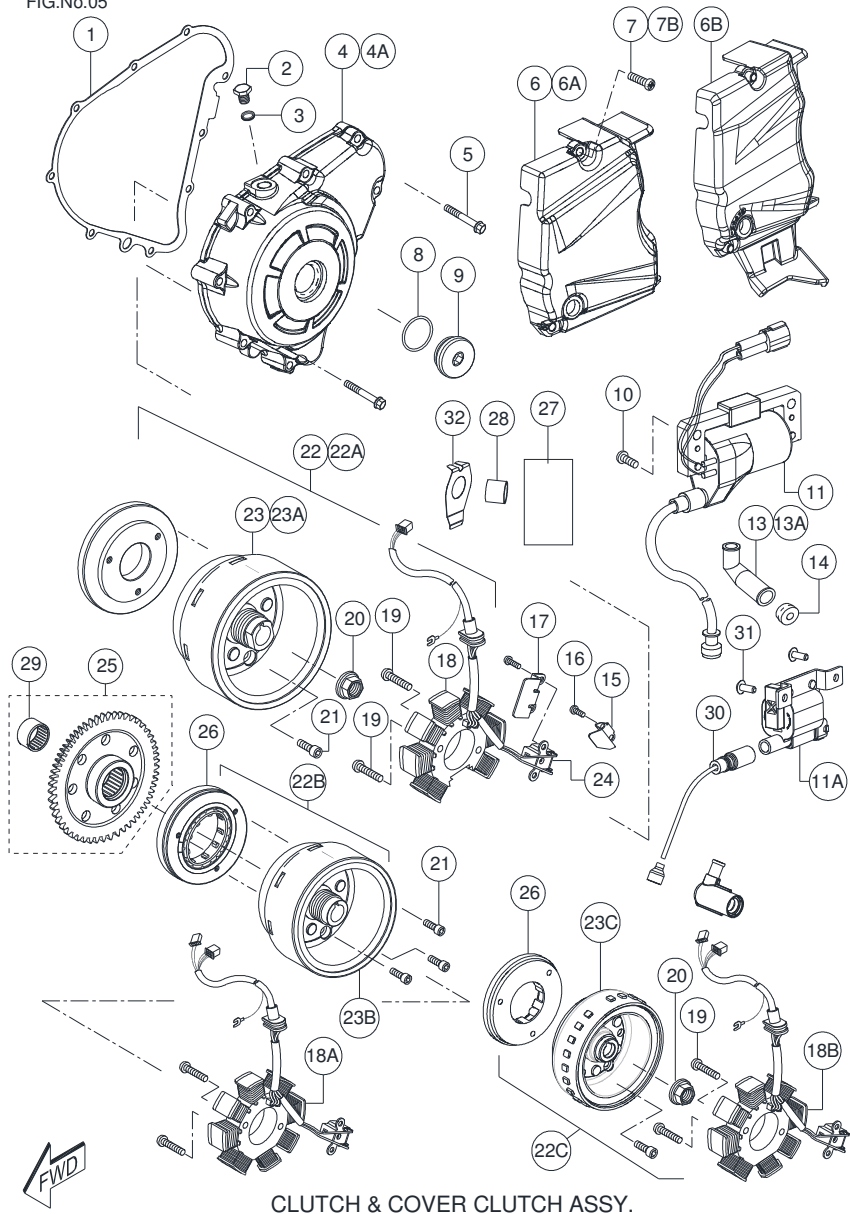
REF NO.	PART NO.	DESCRIPTION	NO. OFF					REMARKS	
			APACHE 150		RTR	RTR REF.	RTR EFI		RTR REF.
			DR BR	DISC FR BR	REAR	DISC	NEW		
21	M1080010	GEAR OIL PUMP DRIVE	1	1	1	1	1	1	
22	M1080080	GEAR PRIMARY DRIVE (21T)	1	1	1	1	1	1	
23	0339060	BALL BEARING 12 x 28 x 8	1	1	1	1	1	1	
23A	M1200380	BALL BEARING 15x32x9	1	1	1	1	1	1	
24	M1200530	HEX SOCKET CAP SCREW M6x25	4	4	4	4	4	4	
25	M7070150	PIN ASSY CLUTCH RELEASE	1	1	1	1	1	1	
26	N2070360	PLATE CLUTCH RELEASE	1	1	1	1	1	1	
26A	N9070120	PLATE CLUTCH RELEASE	1	1	1	1	1	1	
27	N1070010	SPRING CLUTCH	4	4				4	
27A	M7070440	SPRING CLUTCH			4	4	4		
28	M7070100	NUT CLUTCH SHAFT	1	1	1	1	1	1	
29	M7070110	SPRING WASHER CLUTCH SHAFT	1	1	1	1	1	1	
30	M7070060	HUB CLUTCH	1	1	1	1	1	1	
31	M7321890	SET PLATE CLUTCH DRIVE (5 Nos)	1	1	1	1	1	1	
32	M7321550	SET PLATE CLUTCH DRIVEN (4Nos)	1	1					
32A	M7321900	SET PLATE CLUTCH DRIVEN (4Nos)			1	1	1	1	
33	N2070200	DISC CLUTCH PRESSURE	1	1	1	1	1	1	
34	M7070240	WASHER CLUTCH HUB	1	1	1	1	1	1	
35	M7080840	GEAR ASSY. PRIMARY DRIVEN	1	1	1	1	1	1	
36	0339310	BUSH PRIMARY DRIVEN GEAR	2	2	2	2	2	2	
37	M1200250	HEX NUT M16x1.5	1	1	1	1	1	1	
38	M7070330	BRACKET CLUTCH CABLE	1	1	1	1	1	1	
39	M7070380	SPRING CLUTCH CABLE RETURN	1	1	1	1	1	1	
40	M7200500	SPRING DOWEL	1	1	1	1	1	1	
41	M7200510	BEARING BUSH	2	2	2	2	2	2	
42	N9080670	RETAINER	1	1	1	1	1	1	
43	0331748	CRR PAN HEAD SCREW M6x16	1	1	1	1	1	1	
44	M7321880	KIT CLUTCH CABLE	1	1					**
45	M7322040	KIT CLUTCH SPRING			1				#

\*\* - REF. KIT & KIT CO

# - FOR DETAILS REFER SIB/M.CYCLE 03/07-08 DATED - 10.07.2007



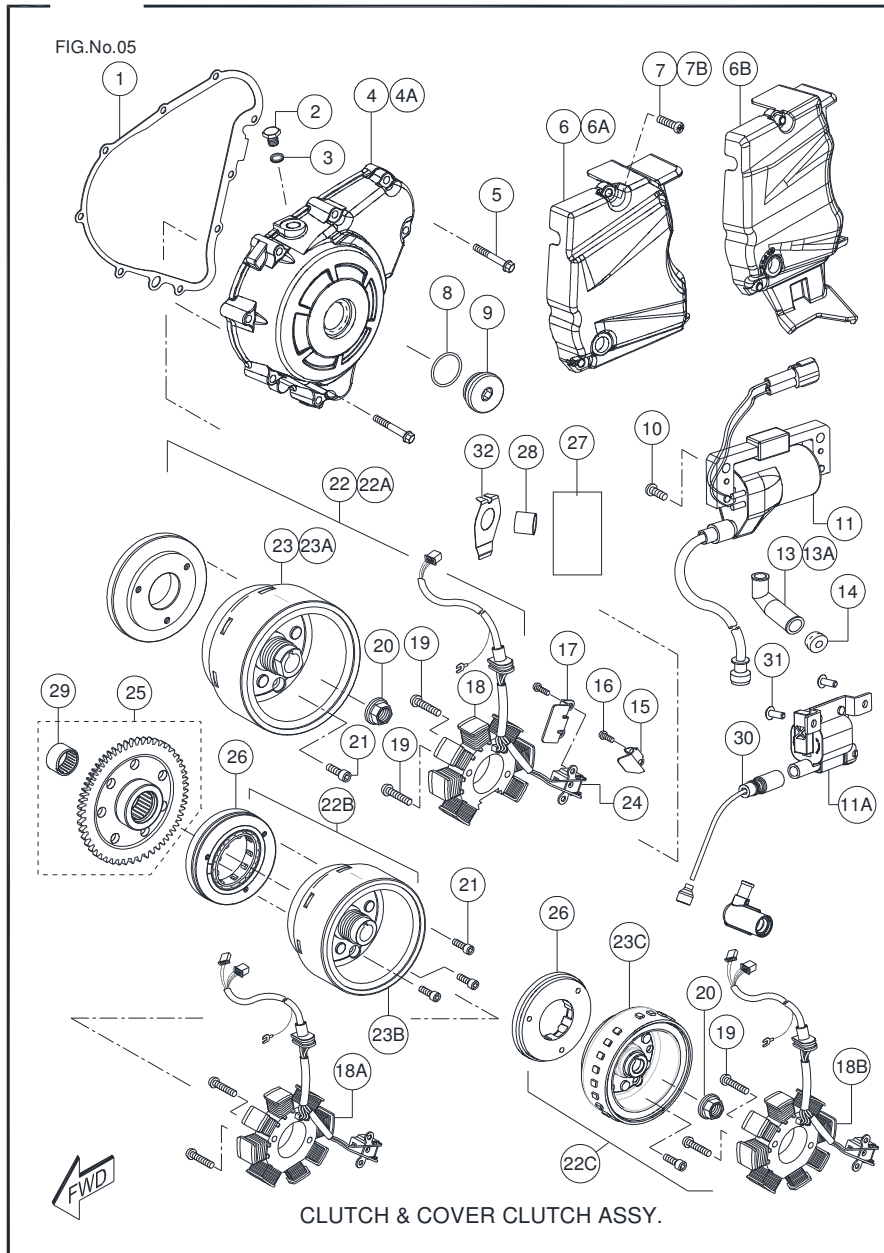
FIG.No.05



MAGNETO & IGNITION COIL ASSEMBLY

FIG.NO. 05

REF NO.	PART NO.	DESCRIPTION	NO. OFF					REMARKS	
			APACHE 150		RTR REF.	RTR EFI	RTR REF.		
			DR BR	DISC FR BR	REAR DISC	NEW			
1	M1080320	GASKET MAGNETO COVER	1	1	1	1	1	1	
2	N2081680	PLUG TDC	1	1	1	1	1	1	
3	M1080420	GASKET TDC PLUG	1	1	1	1	1	1	
4	M7030170	COVER MAGNETO	1	1					
4A	M7030170D	COVER MAGNETO			1	1	1	1	
5	M7200700	HEX FLANGE BOLT M6x40	9	9	9	9	9	9	
6	N9220720	COVER ENGINE SPROCKET	1	1					
6A	N92210907D	COVER ENGINE SPROCKET			1	1	1		
6B	N9081170	COVER ENGINE SPROCKET							1
7	0332228	CRR PAN HEAD SCREW SCREW M5	2	2					
7A	M1200670	CRR PAN HD SCREW M6x20			2	2	2	2	
8	N2081690	O RING 22.7x3.1	1	1	1	1	1	1	
9	M7080980	PLUG CRANKSHAFT HOLE	1	1	1	1	1	1	
10	M1200610	CRR. PAN HEAD SCREW M6x12	1	1	1	1	1	1	
11	N9060180	COIL ASSEMBLY IGNITION	1	1	1	1			1
11A	M9060060	COIL ASSEMBLY IGNITION							1
12	N2180130	SEAL HIGH TENSION CORD	1	1					
12A	0098010	SEAL HIGH TENSION CORD			1	1	1	1	1
13	N3060150	CAP ASSEMBLY SPARK PLUG	1						
13A	N9060280	CAP ASSEMBLY SPARK PLUG		1	1	1	1	1	1
14	S1060310	SEAL SPARK PLUG	1	1	1				1
15	M1070100	CLAMP MAGNETO LEAD - 2	1	1	1	1	1	1	1
16	0331718	CRR PAN HEAD SCREW M5x16	4	4					
16A	0331708	CRR PAN HEAD SCREW M5x12			4	4	4	4	4
17	M1121040	CLAMP MAGNETO LEAD - 1	1	1	1	1	1	1	1
18	N9060300	STATOR ASSEMBLY	1	1	1				
18A	N9322450	STATOR ASSEMBLY				1			1
18B	N9322370	STATOR ASSEMBLY						1	

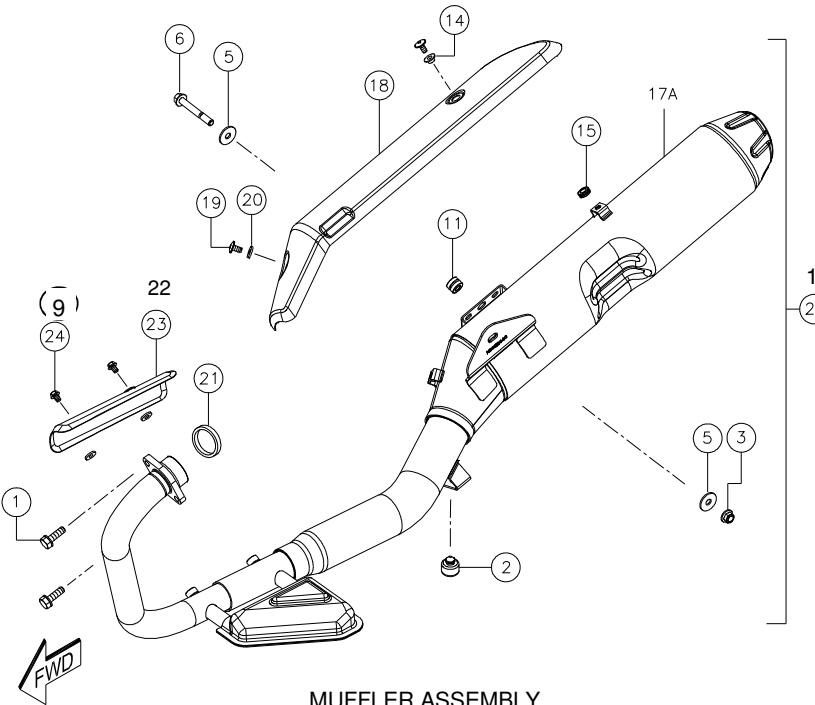
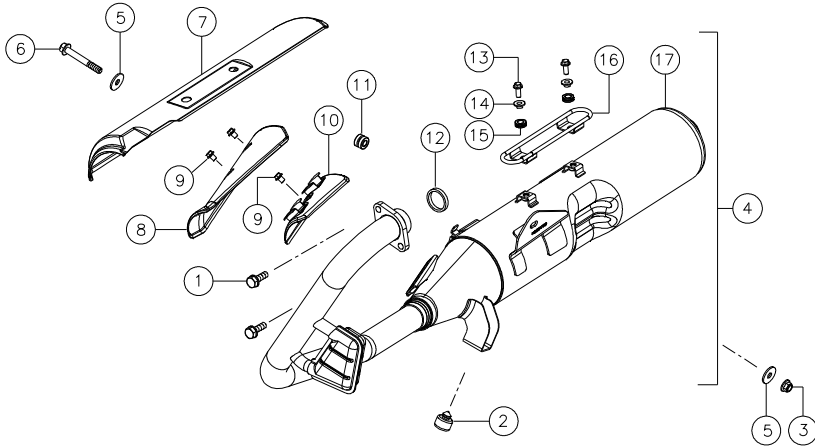


## MAGNETO & IGNITION COIL ASSEMBLY

FIG.NO. 05

REF NO.	PART NO.	DESCRIPTION	NO. OFF					REMARKS	
			APACHE 150		RTR REF.	RTR EFI	RTR REF.		
			DR BR	DISC FR BR	REAR DISC	NEW			
19	M1200820	CRR PAN HEAD SCREW M6x25	2	2	2	2	2	2	
20	M1200770	HEX FLANGE NUT M12x1.25	1	1	1	1	1	1	
21	M1200790	HEX SOCKET HEAD CAP SCREW M	3	3	3	3	3	3	
22	N9060270	MAGNETO ASSY. APACHE KS	1						
22A	N9060200	MAGNETO ASSY. APACHE ES		1					
22B	N9060400	MAGNETO ASSY. APACHE RTR			1	1		1	
22C	M9060080	MAGNETO ASSEMBLY EFI					1		
23	N9060330	ROTOR ASSEMBLY KS	1						
23A	N9060310	ROTOR ASSEMBLY ES		1					
23B	N9322460	ROTOR ASSEMBLY ES			1	1		1	
23C	N9322380	ROTOR ASSEMBLY					1		
24	N9060320	PULSAR COIL	1	1	1	1	1	1	
25	M1080480	GEAR COMP. STARTER CLUTCH		1	1	1	1	1	
26	R1060110	CLUTCH STARTER ONE WAY		1	1	1	1	1	
27	M1080460	GEAR STARTER IDLE		1	1	1	1	1	
28	M1080490	SPACER STARTER IDLE GEAR		1	1	1	1	1	
29	M1200170	NEEDLE ROLLER BEARING		1	1	1	1	1	
30	M9060170	HT CABLE COMP.					1		
31	0332275	CRR PAN HEAD SCREW					2		
32	N9080440	STOPPER STARTER GEAR						1	
33	M7060240	HT CABLE ASSY.					1		N.I

FIG.No.06

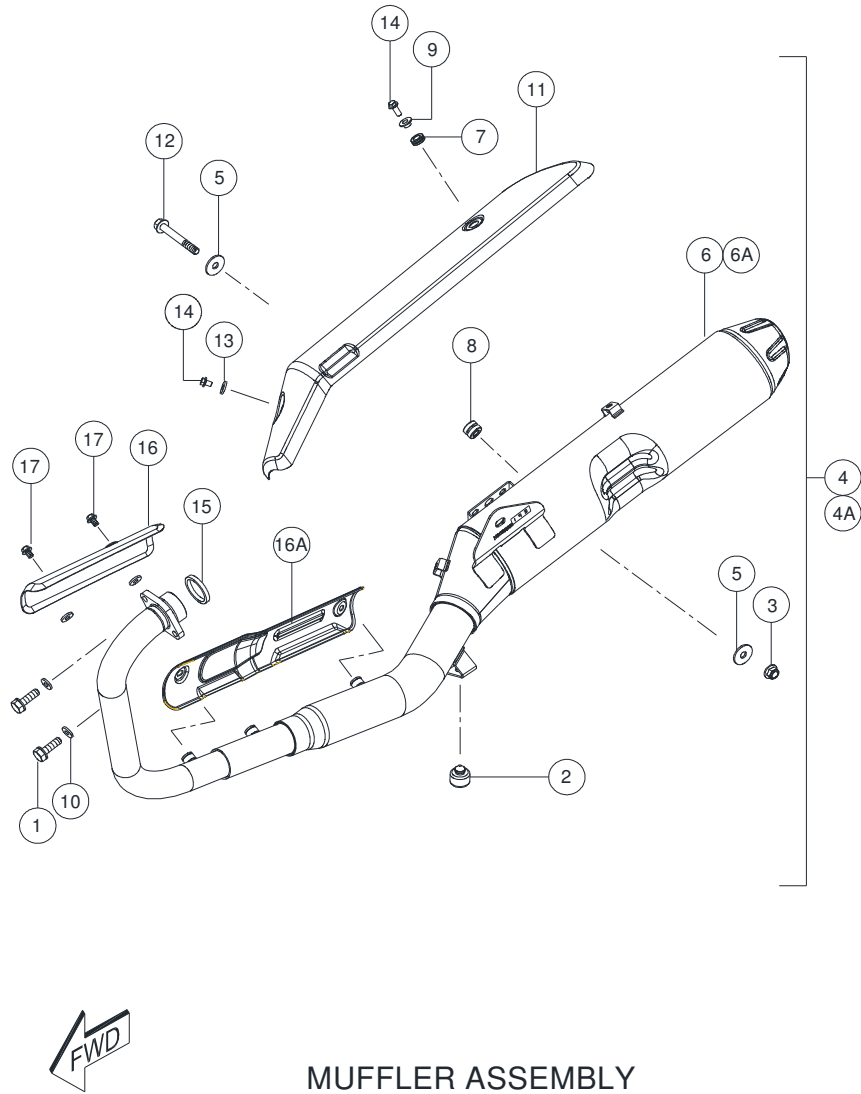


**MUFFLER ASSEMBLY**

FIG.NO. 06

REF NO.	PART NO.	DESCRIPTION	NO. OFF					REMARKS	
			APACHE 150		RTR	RTR REF.	RTR EFI		RTR REF.
			DR BR	DISC FR BR	REAR	DISC	NEW		
1	M1200480	HEX FLANGE BOLT M8x25	2	2	2	2	2		
2	K130190	STOPPER SEAT	1	1	1	1	1		
3	M1200890	HEX FLANGE U NUT M12x1.25	1	1	1	1	1		
4	M7321560	MUFFLER ASSY. (WITH GUARD)	1	1					
5	N3200210	PUNCHED WASHER 8.2x25x2	2	2	2	2	2		
6	N8200150	HEX BOLT M8x60	1	1	1	1	1		
7	N9220700	GUARD EXHAUST	1	1					
8	N9220710	GUARD EXHAUST FRONT	1	1					
9	N9200100	HEX FLANGE BOLT M6x8	3	3	2	2	2		
10	N9220730	GUARD EXHAUST INNER	1	1					
11	N9051520	DAMPER BRACKET EXHAUST	1	1	1	1	1		
12	T4050180	GASKET EXHAUST	1	1					
13	N9200110	HEX FLANGE BOLT M6x15	2	2					
14	N9051860	CUP WASHER	2	2	1	1	1		
15	N9051850	CUSHION GUARD EXHAUST	2	2	1	1	1		
16	N8050520	LEG GUARD MUFFLER	1	1					
17	N9052660	MUFFLER COMP. (WITH GUARD)	1	1	1	1	1	1	
18	N9221180	GUARD EXHAUST REAR			1	1	1	1	
19	R1200220	SPL CRR PAN HD SCREW M6x12			2	2	2	2	
20	N8050690	INSULATOR GUARD EXHAUST			3	3	3	3	
21	M7051070	GASKET EXHAUST PIPE			1	1	1	1	
22	N9221200	GUARD EXHAUST FRONT			1	1	1	1	

FIG.No.6A



**MUFFLER ASSEMBLY**

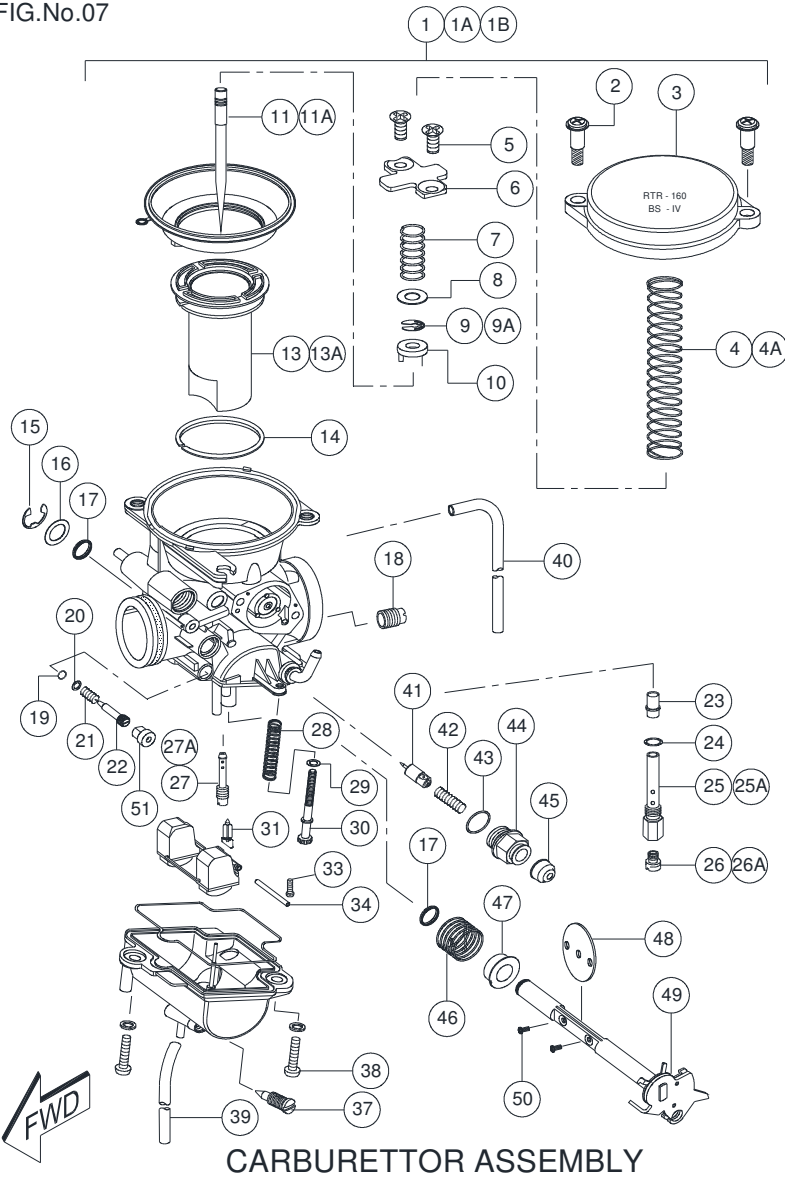
FIG.NO. 06A

REF NO.	PART NO.	DESCRIPTION	NO. OFF					REMARKS	
			APACHE 150		RTR REF.	RTR EFI	RTR REF.		
			DR BR	DISC FR BR	REAR DISC	NEW			
1	M1200480	HEX FLANGE BOLT M8x25					2	2	
2	S1125310	CUSHION					1	1	
3	M1200890	HEX FLANGE U NUT M12x1.25					1		
4	N9052690	MUFFLER ASSY. (WITH GUARD)					1		
4A	N9053950	MUFFLER ASSY. (WITH GUARD)						1	BSIV
5	N3200210	PUNCHED WASHER 8.2x25x2					2	2	
6	N9052610	MUFFLER COMP. (WITHOUT GUARD)					1		
6A	N9053960	MUFFLER COMP.						1	BSIV
7	N9051850	CUSHION GUARD EXHAUST					1	1	
8	N9051520	DAMPER BRACKET EXHAUST					1	1	
9	N9051860	CUP WASHER					3	3	
10	N9200110	HEX FL. BOLT M6x15					1	1	
11	N9221180	GUARD EXHAUST REAR					1	1	
12	N8200150	HEX BOLT M8x60					1	1	
13	N8050690	INSULATOR GUARD EXHAUST					3	3	
14	C8200040	HEX FL. BOLT M6x1.0x12					1	1	
15	M7051070	GASKET EXHAUST PIPE					1	1	
16	N9221200	GUARD EXHAUST FRONT					1		
16A	N9054050	GUARD EXHAUST FRONT						1	BSIV
17	N9200100	HEX FLANGE BOLT M6x8					2	2	

FIG.No.07

**CARBURETTOR ASSEMBLY**

FIG.NO. 07

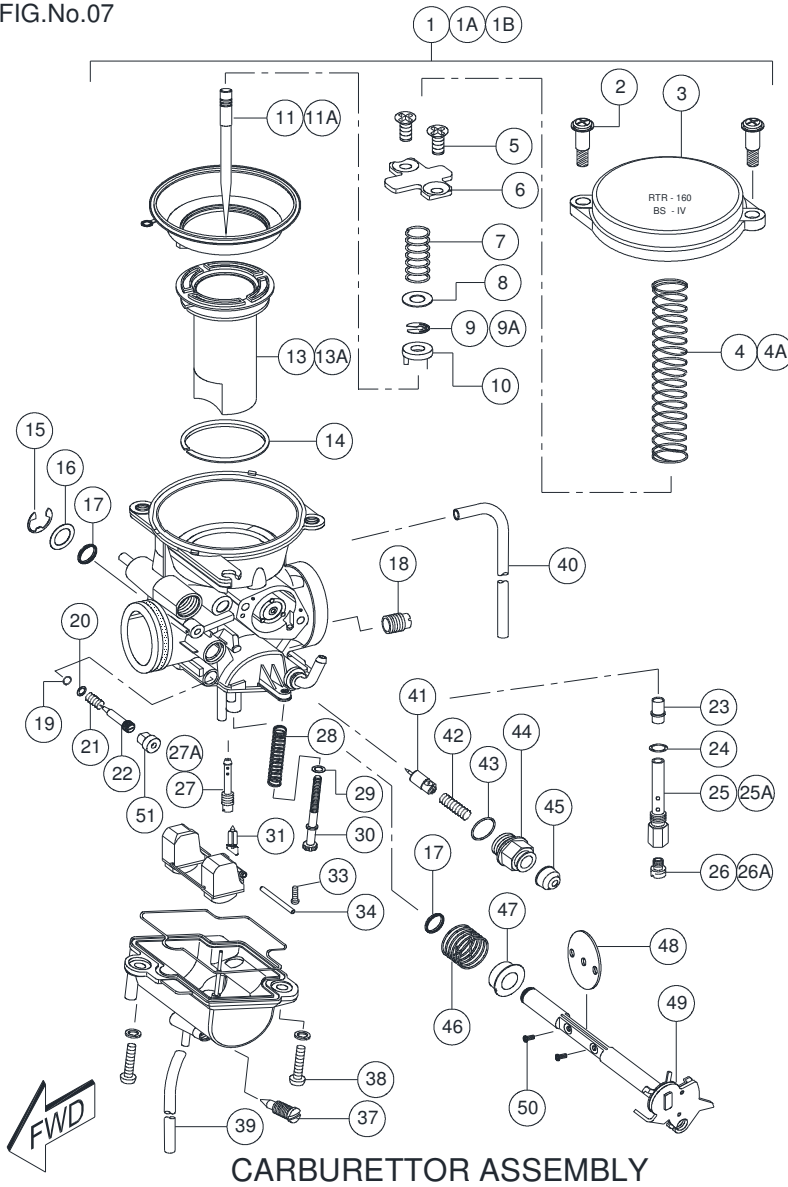


REF NO.	PART NO.	DESCRIPTION	NO. OFF					REMARKS	
			APACHE 150		RTR	RTR REF.	RTR EFI		RTR REF.
			DR BR	DISC FR BR	REAR	DISC	NEW		
1	M7040800	CARBURETTOR ASSY.	1	1					
1A	N9041380N	CARBURETTOR ASSY.			1	1		1	
1B	N9042400	CARBURETTOR ASSY.						1	
2	M1040530	SCREW DIAPHRAGM COVER	2	2	2	2		2	
3	M1040190	COVER DIAPHRAGM	1	1	2	2		2	
4	M7320220	SPRING DIAPHRAGM	1	1	1	1		1	
4A	M1040200	SPRING DIAPHRAGM						1	
5	M1040760	SCREW PLATE JET NEEDLE	2	2	2	2		2	
6	M1040910	PLATE JET NEEDLE	1	1	1	1		1	
7	M1040770	SPRING JET NEEDLE	1	1	1	1		1	
8	M1040780	PACKING JET NEEDLE	1	1	1	1		1	
9	M1040250	E- RING JET NEEDLE	1	1	1	1		1	
9A	N9325970	E- RING JET NEEDLE						1	
10	M7321280	RING JET NEEDLE	1	1	1	1		1	
11	M7321290	JET NEEDLE (NEEDLE)	1	1	1	1		1	
11A	N9326000	JET NEEDLE (NEEDLE)						1	
12	M1040220	DIAPHRAGM	1	1	1	1		1	
13	M7320240	PISTON VALVE	1	1					
13A	N9321970	PISTON VALVE			1	1		1	
14	M1040800	RING PISTON VALVE	1	1	1	1		1	
15	M1040500	E-RING THROTTLE SHAFT	1	1	1	1		1	
16	M1040510	PACKING THROTTLE SHAFT	1	1	1	1		1	
17	M1040520	O RING THROTTLE SHAFT	2	2	2	2		2	
18	M1041070	AIR JET (PAJ 2) - 145	1	1	1	1		1	
19	M1040430	O RING MCS	1	1	1	1		1	
20	M1040420	WASHER MCS	1	1	1	1		1	
21	M1040410	SPRING MCS	1	1	1	1		1	
22	M7321300	MIXTURE CONTROL SCREW (MCS)	1	1	1	1		1	
23	M7320260	NEEDLE JET (JET)	1	1	1	1		1	
24	M1040810	O RING JET HOLDER	1	1	1	1		1	
25	M7321310	JET HOLDER	1	1	1	1		1	
25A	N9325980	JET HOLDER						1	

FIG.No.07

**CARBURETTOR ASSEMBLY**

FIG.NO. 07



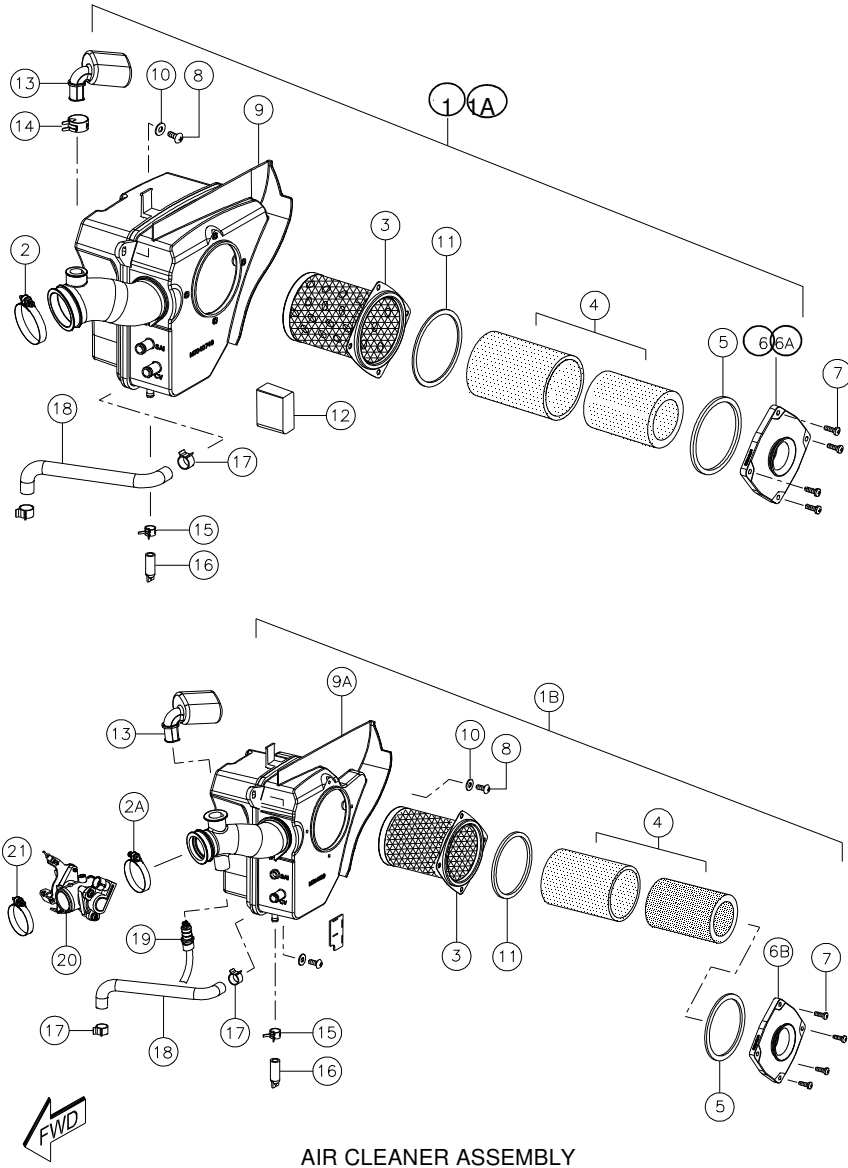
**CARBURETTOR ASSEMBLY**

REF NO.	PART NO.	DESCRIPTION	NO. OFF					REMARKS	
			APACHE 150		RTR	RTR REF.	RTR EFI		RTR REF.
			DR BR	DISC FR BR	REAR DISC	NEW			
26	M7321320	MAIN JET (102.5)	1	1					
26A	N9321990	MAIN JET (105)			1	1		1	
27	M7321330	PILOT JET (12.5)	1	1					
27A	N9322000	PILOT JET (15)			1	1		1	
28	M1040490	SPRING IDLING SCREW	1	1	1	1		1	
29	M1040470	PACKING IDLING SCREW	1	1	1	1		1	
30	M1040460	IDLING SCREW	1	1	1	1		1	
31	M1040270	NEEDLE VALVE ASSEMBLY	1	1	1	1		1	
32	M1040340	FLOAT ASSEMBLY	1	1	1	1		1	
33	M1040280	SCREW VALVE SEAT	1	1	1	1		1	
34	M1040290	PIN FLOAT	1	1	1	1		1	
35	M1040820	SEAL BOWL	1	1	1	1		1	
36	M1040300	FLOAT BODY ASSEMBLY	1	1	1	1		1	
37	M1040440	SCREW DRAIN	1	1	1	1		1	
38	M1040540	SCREW FLOAT CHAMBER	2	2	2	2		2	
39	M7321340	HOSE DRAIN	1	1	1	1		1	
40	M7321350	HOSE AIR VENT	1	1	1	1		1	
41	M1040370	PLUNGER STARTER	1	1	1	1		1	
42	M1040380	SPRING STARTER	1	1	1	1		1	
43	M1040870	O RING STARTER	1	1	1	1		1	
44	M1040390	GUIDE HOLDER ASSEMBLY	1	1	1	1		1	
45	M1040570	CAP STARTER	1	1	1	1		1	
46	----	SPRING THROTTLE SHAFT	1	1	1	1		1	N.S
47	----	BUSH THROTTLE SAHFT	1	1	1	1		1	"
48	----	THROTTLE VALVE	1	1	1	1		1	"
49	----	THROTTLE SHAFT	1	1	1	1		1	"
50	M1040900	SCREW THROTTLE VALVE	2	2	1	1		1	
51	M1040940	CAP CARBURETTOR	1	1	1	1		1	
52	N9324480	PLUNGER ASSY. KIT			1	1		1	

N.S - NOT SERVICE



FIG.No.08



AIR CLEANER ASSEMBLY

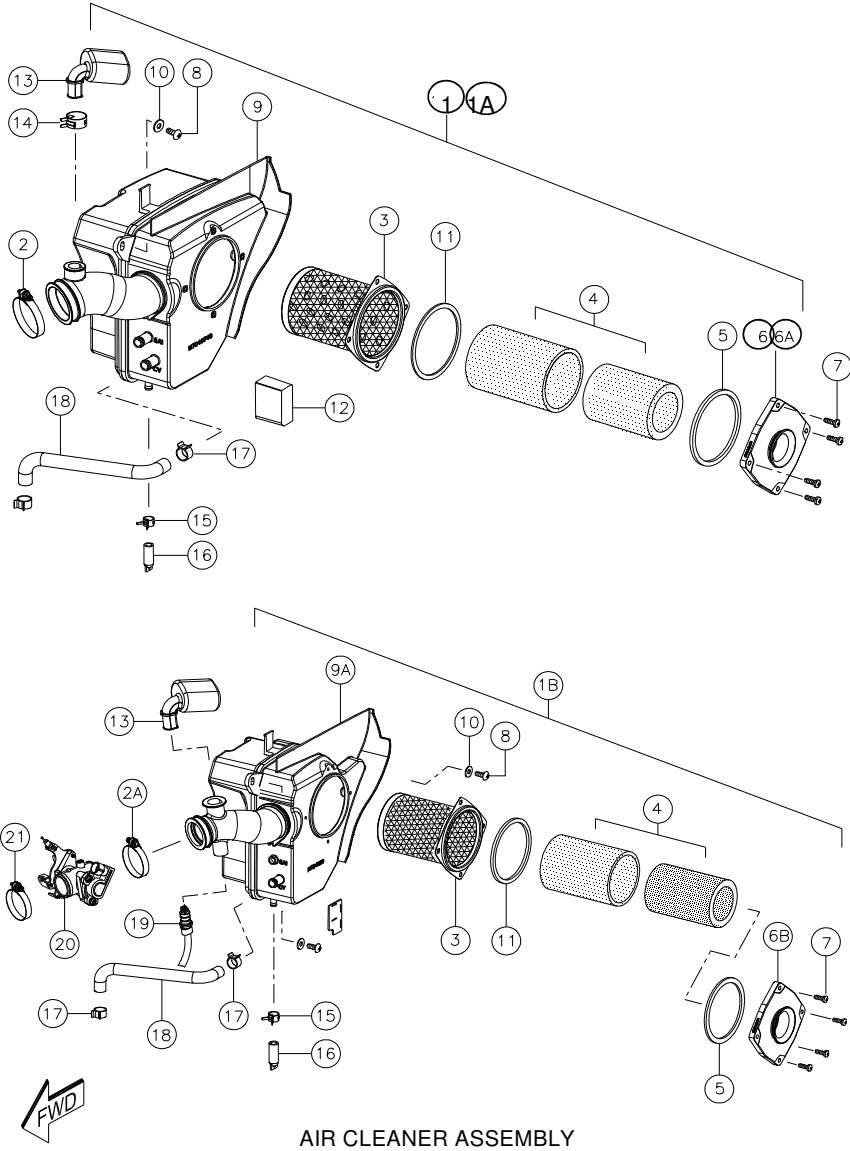
**AIR CLEANER ASSEMBLY**

FIG.NO. 08

REF NO.	PART NO.	DESCRIPTION	NO. OFF					REMARKS	
			APACHE 150		RTR	RTR REF.	RTR EFI		RTR REF.
			DR BR	DISC FR BR		REAR DISC	NEW		
1	M7040760	AIR CLEANER ASSEMBLY	1	1					
1A	M7041070	AIR CLEANER ASSEMBLY			1	1		1	
1B	M7040430	AIR CLEANER ASSEMBLY					1		
2	M1040630	CLAMP OUTLET PIPE	1	1	1	1		1	
2A	M100050	HOSE CLIP 41.5					1		
3	M1040170	TRAP COMP. FLAME	1	1	1	1	1	1	
4	M1040700	FILTER COMP. AIR CLEANER	1	1	1	1	1	1	
5	M1040670	GASKET INLET	1	1	1	1	1	1	
6	M7041010	INLET COMP. AIR CLEANER	1	1					
6A	M7041090	INLET COMP. AIR CLEANER			1	1		1	
6B	M7041100	INLET COMP. AIR CLEANER					1		
7	M1200660	CRR PAN HEAD SCREW M5x16	4	4	4	4	4	4	
8	0332275	CRR PAN HEAD SCREW	2	2	2	2	2	2	
9	M7040749	CASE AIR CLEANER	1	1	1	1		1	
9A	---	CASE AIR CLEANER					1		
10	0335608	PUNCHED WASHER 6.5x16x1.2	2	2	2	2	2	2	
11	M1040610	GASKET TRAP FLAME	1	1	1	1	1	1	
12	M7040790	FOAM SAI	1	1	1	1	1	1	
13	M7040780	RESONATOR	1	1	1	1	1	1	
14	M7040820	HOSE CLIP DIA 18	1	1	1	1		1	

\*\* - REF. KIT & KIT CONTENTS

FIG.No.08

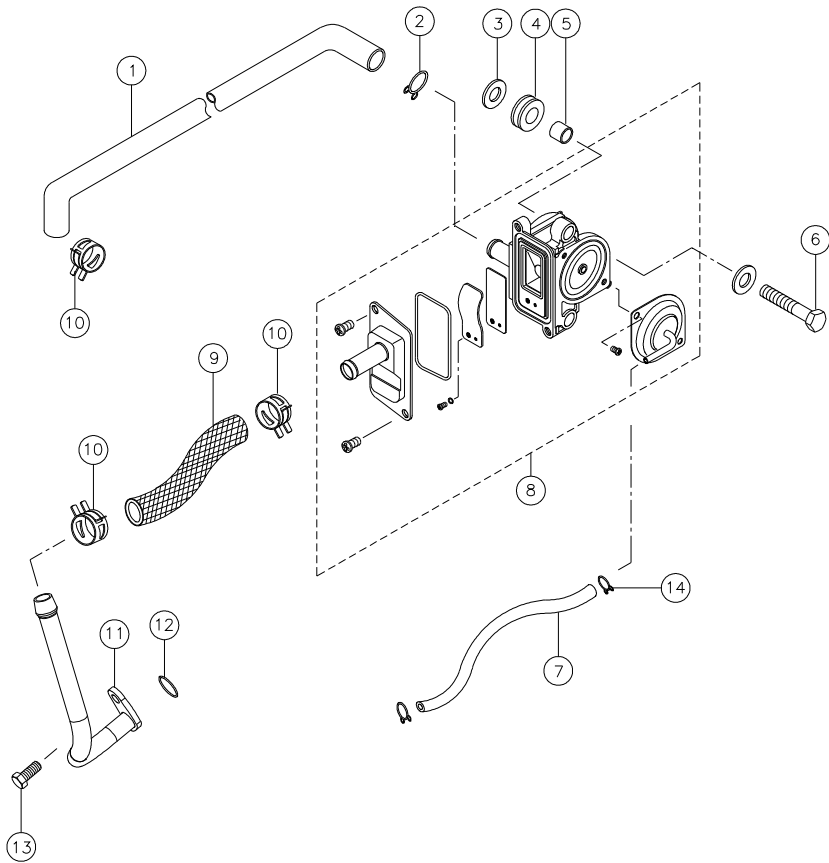


**AIR CLEANER ASSEMBLY**

FIG.NO. 08

REF NO.	PART NO.	DESCRIPTION	NO. OFF					REMARKS	
			APACHE 150		RTR	RTR	RTR		
			DR BR	DISC FR BR	REF.	EFI	REF.		
15	M7041030	HOSE CLIP DRAIN PIPE	1	1	1	1	1	1	
16	N3040360	DRAIN PIPE	1	1	1	1	1	1	
17	K140820	HOSE CLIP	2	2	2	2	2	2	
18	M7041000	BREATHER HOSE PCV	1	1	1	1	1	1	
19	M9060100	INTAKE AIR TEMP SENSOR						1	
20	M7040300	THROTTLE BODY ASSY.						1	
21	M1040140	CLAMP INTAKE PIPE						1	**
22	N9321790	FOAM KIT	1	1	1	1		1	

\*\* - REF. KIT & KIT CONTENTS

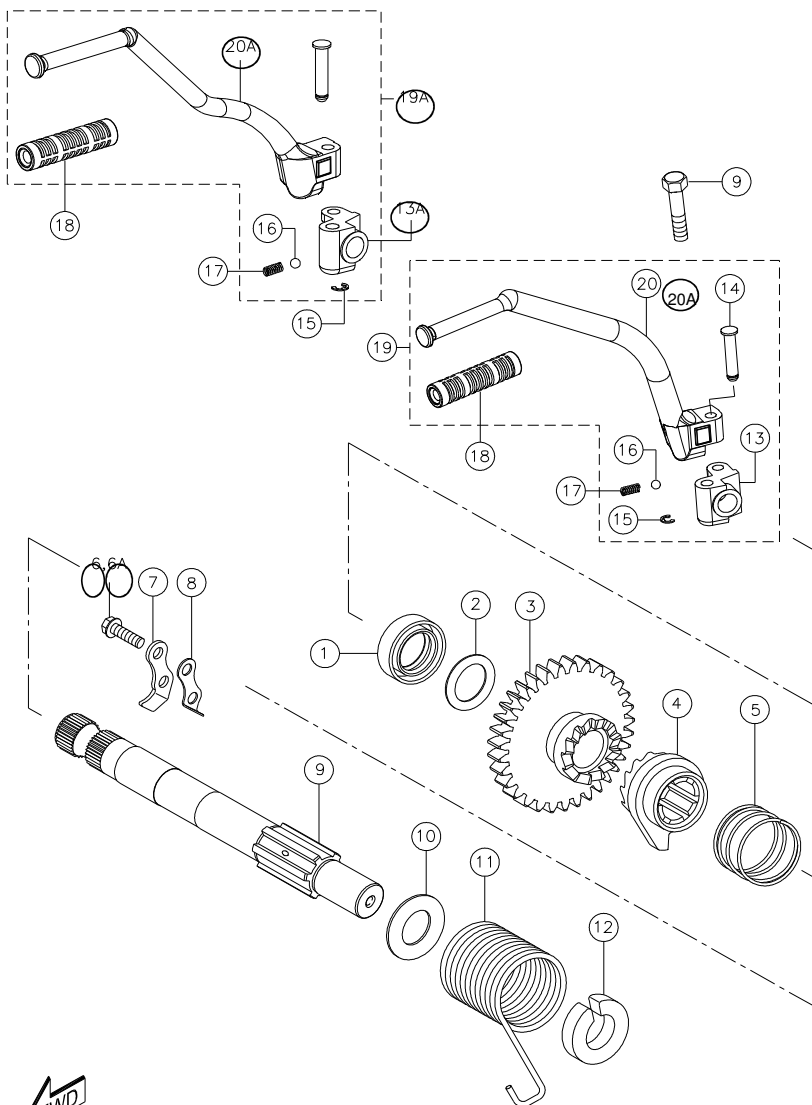


SECONDARY AIR INJECTION ASSY.

REF NO.	PART NO.	DESCRIPTION	NO. OFF					REMARKS	
			APACHE 150		RTR	REF.	EFI		REF.
			DR BR	DISC FR BR	REAR DISC	NEW			
1	N9041080	HOSE AIR INLET	1	1	1	1		1	
2	N2041150	HOSE CLIP	2	2	2	2		2	
3	0335608	PUNCHED WASHER	4	4	4	4		4	
4	N2041670	CUSHION VALVE MOUNTING	2	2	2	2		2	
5	N3160220	SPACER	2	2	2	2		2	
6	N3200190	HEX BOLT M6x30	2	2	2	2		2	
7	N9040300	HOSE AIR CUT VALVE	1	1	1	1		1	
8	N9041060	SECONDARY AIR INJECTION VALVE	1	1	1	1		1	
9	M7040060	HOSE AIR OUTLET	1	1	1	1		1	
10	N2041160	HOSE CLIP No. 1	2	2	2	2		2	
11	M7040080	PIPE COMP. SECONDARY AIR INJECTION	1	1	1	1		1	
12	N8040340	O RING 1.9x10	1	1	1	1		1	
13	M1200640	HEX SCREW M6x16 6.8 ZNG	1	1	1	1		1	
14	414147000	CLIP FUEL HOSE	2	2	2	2		2	



FIG.No.09



KICK STARTER ASSEMBLY

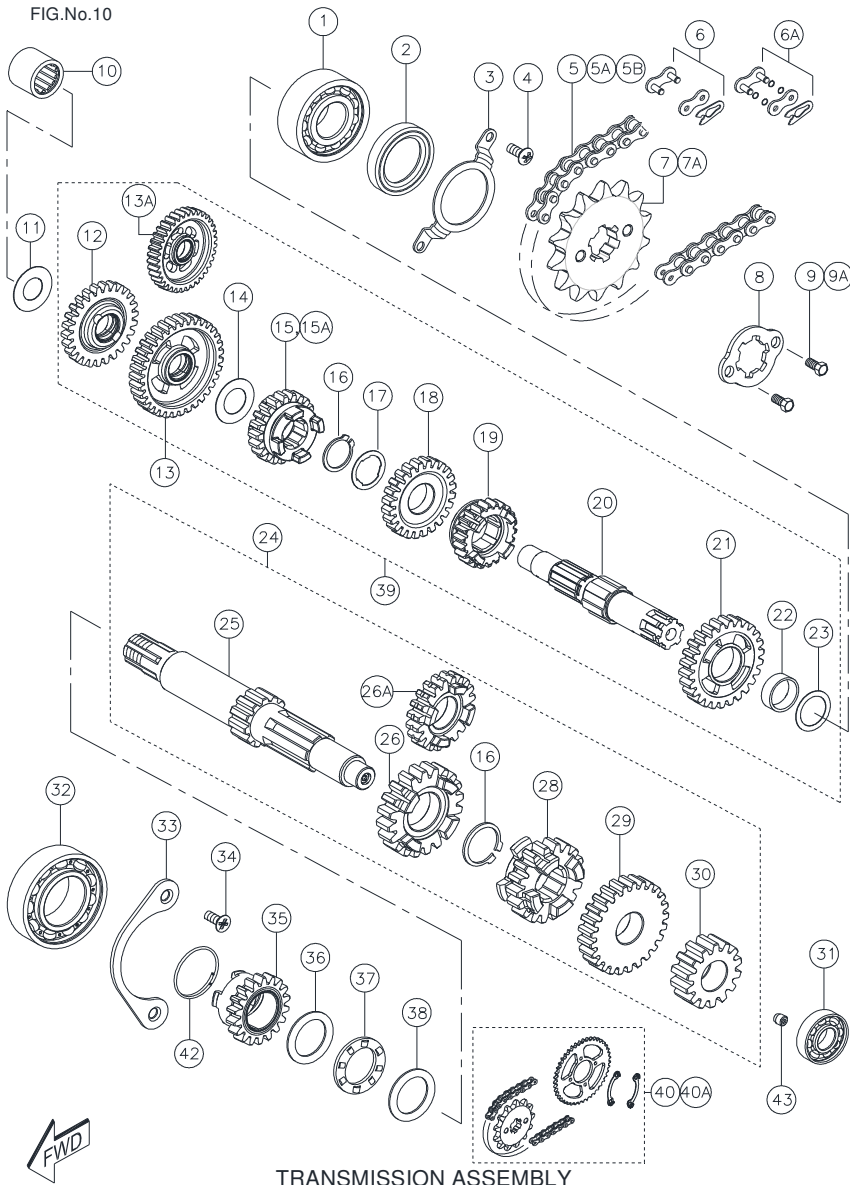


KICK STARTER ASSEMBLY

FIG.NO. 09

REF NO.	PART NO.	DESCRIPTION	NO. OFF					REMARKS	
			APACHE 150		RTR	RTR REF.	RTR EFI		RTR REF.
			DR BR	DISC FR BR	REAR	DISC	NEW		
1	0249550	OIL SEAL KICK STARTER SHAFT	1	1	1	1	1	1	
2	0335014	SHIM 15x30x1	1	1	1	1	1	1	
3	M7080570	GEAR KICK STARTER DRIVE	1	1	1	1	1	1	
4	M1080890	RATCHET KICK STARTER	1	1	1	1	1	1	
5	M1080930	SPRING KICK STARTER	1	1	1	1	1	1	
6	M1200640	HEX SCREW M6x16	2	2					
6A	M1201190	HEX SCREW M6x30			2	2	2	2	
7	M1080900	GUIDE KICK STARTER	1	1	1	1	1	1	
8	N2081650	STOPPER KICK STARTER	1	1	1	1	1	1	
9	M7080740	SHAFT KICK STARTER	1	1	1	1	1	1	
10	0335714	SHIM 16x30x0.5	1	1	1	1	1	1	
11	M1080940	SPRING KICK SHAFT RETURN	1	1	1	1	1	1	
12	N3080270	GUIDE KICK STARTER SPRING	1	1	1	1	1	1	
13	N2081400	JOINT KICK STARTER	1	1					
13A	M7081950	JOINT KICK STARTER			1	1	1	1	
14	N2081450	PIN LEVER ASSY. KICK STARTER	1	1	1	1	1	1	
15	N3200240	CIRCLIP - TYPE E	1	1	1	1	1	1	
16	N2081440	BALL LEVER ASSY. K S LEVER	1	1	1	1	1	1	
17	N2081430	SPRING LEVER ASSY. KICK STARTER	1	1	1	1	1	1	
18	N2081760	RUBBER KICK STARTER LEVER	1	1	1	1	1	1	
19	M7081040	LEVER ASSY. KICK STARTER	1	1					
19A	M7081500	LEVER ASSY. KICK STARTER			1	1	1	1	
20	M7081050	LEVER KICK STARTER	1	1					
20A	M7081490	LEVER KICK STARTER			1	1	1	1	

FIG.No.10

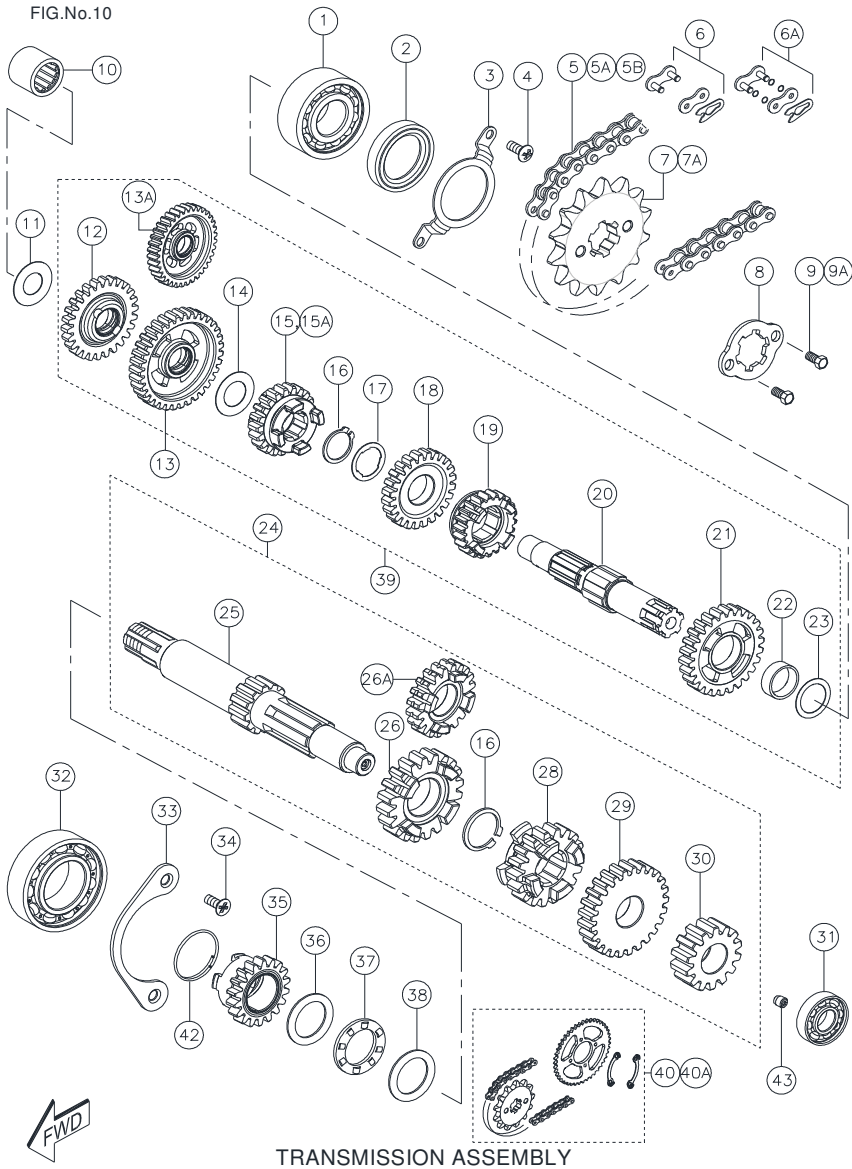


**TRANSMISSION ASSEMBLY**

FIG.NO. 10

REF NO.	PART NO.	DESCRIPTION	NO. OFF						REMARKS
			APACHE 150		RTR	RTR REF.	RTR EFI	RTR REF.	
			DR BR	DISC FR BR	REAR	DISC	NEW		
1	M1200260	BALL BEARING 20x47x14	1	1	1	1	1	1	
2	M7200250	OIL SEAL 20x40x6	1	1	1	1	1	1	
3	M7081100	RETAINER DRIVE SHAFT	1	1	1	1	1	1	
4	0332068	CRPH SCREW M6x12	2	2	2	2	2	2	
5	M7080940	CHAIN ASSEMBLY 118 L	1	1					
5A	N9111770	CHAIN ASSY. 124 L			1				
5B	N9112610	DRIVE CHAIN WITH O RING				1	1	1	
6	M1320420	LINK SET CHAIN	1	1	1				
6A	N9322720	LINK SET CHAIN				1	1	1	
7	M7080920	SPROCKET ENGINE 13T	1	1	1	1	1	1	
8	M7080870	LOCK PLATE ENGINE SPROCKET	1	1	1	1	1	1	
9	M7200200	HEX SOCKET CAP SCR NUT M5x12	2	2	2				
9A	M1200940	HEX SCREW M5x10				2	2	2	
10	M7200260	NEEDLE ROLLER BEARING 15x23x1	1	1	1	1	1	1	
11	0335014	SHIM 15x30x1.0	1	1	1	1	1	1	
12	M7080400	GEAR COMP.KICK START.IDLE(26T)	1	1	1	1	1	1	
13	M7080340	GEAR COMP. 1st DRIVEN	1	1	1	1	1		
13A	R1080800	GEAR COMP. 1st DRIVEN				1		1	
14	M7200420	SHIM	1	1	1	1	1	1	
15	M7080310	GEAR 4th DRIVEN	1	1	1	1	1		
15A	R1081130	GEAR 4th DRIVEN				1		1	
16	0330174	CIRCLIP 20x1.2	2	2	2	2	2	2	
17	M7080860	SHIM	1	1	1	1	1	1	
18	M7080280	GEAR 3rd DRIVEN	1	1	1	1	1	1	
19	M7080320	GEAR 5th DRIVEN	1	1	1	1	1	1	
20	M7081300	SHAFT COMP. DRIVE	1	1	1	1	1	1	
21	M7080890	GEAR 2nd DRIVEN (27T)	1	1	1	1	1	1	
22	N5080060	BUSH 1st DRIVEN	1	1	1	1	1	1	
23	M7200040	THRUST WASHER	1	1	1	1	1	1	

FIG.No.10



**TRANSMISSION ASSEMBLY**

FIG.NO. 10

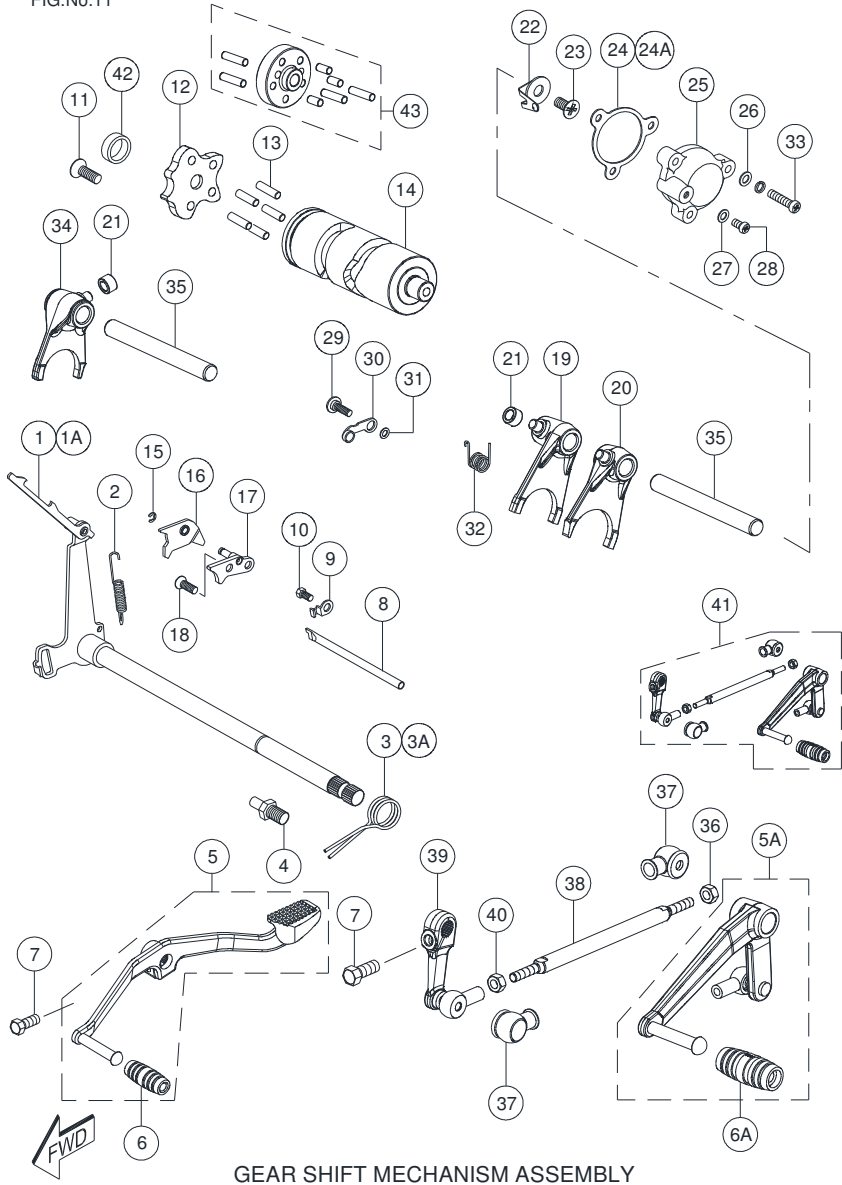
REF NO.	PART NO.	DESCRIPTION	NO. OFF					REMARKS	
			APACHE 150		RTR	RTR REF.	RTR EFI		RTR REF.
			DR BR	DISC FR BR	REAR	DISC	NEW		
24	M7080460	COUNTER SHAFT ASSY.	1	1	1	1	1	1	
25	M7080439	SHAFT COMP. COUNTER	1	1	1	1	1	1	
26	M7080309	GEAR 4th DRIVE	1	1	1	1	1		
26A	R1081120	GEAR 4th DRIVE				1		1	
27	M7321580	OIL SEAL KIT	1	1	1	1	1	1	N.I., **
28	M7080339	GEAR 3rd DRIVE	1	1	1	1	1	1	
29	M7080299	GEAR 5TH DRIVE	1	1	1	1	1	1	
30	M7080269	GEAR 2nd DRIVE	1	1	1	1	1	1	
31	M1200300	BALL BEARING 12x28x8	1	1	1	1	1	1	
32	M1200290	BALL BEARING 30x15x13	1	1	1	1	1	1	
33	M7080530	RETAINER COUNTER BEARING	1	1	1	1	1	1	
34	0332238	RECESSED CSK HEAD SCREW	2	2	2	2	2	2	
35	M7080370	GEAR COMP. KICK STARTER DRIVE	1	1	1	1	1	1	
36	M7200460	THRUST WASHER	1	1	1	1	1	1	
37	C8080260	BEARING KS DRIVEN GEAR	1	1	1	1	1	1	
38	M7200430	SHIM	1	1	1	1	1	1	
39	M7080450	DRIVE SHAFT SET	1	1	1	1	1	1	**
40	M7321470	CHAIN AND SPROCKET KIT(13/44/114)	1	1					**
40A	N9322710	CHAIN AND SPROCKET KIT(13/44/124)			1	1	1	1	**

\*\* - REF. KIT & KIT CONTENTS

N.I - NOT ILLUSTRATED



FIG.No.11



GEAR SHIFT MECHANISM ASSEMBLY

## GEAR SHIFT MECHANISM ASSEMBLY

FIG.NO. 11

REF NO.	PART NO.	DESCRIPTION	NO. OFF					REMARKS	
			APACHE 150		RTR	RTR REF.	RTR EFI		RTR REF.
			DR BR	DISC FR BR		REAR DISC	NEW		
1	M1081450	SHAFT COMP. GEAR SHIFT	1	1	1	1	1	#	
1A	M7081790	SHAFT COMP. GEAR SHIFT					1	1	
2	3040510	SPRING GEAR SHIFT STARTER	1	1	1	1	1	1	
3	8081530	SPRING GEAR SHIFT RETURN	1	1	1				
3A	M7081840	SPRING GEAR SHIFT RETURN					1	1	
4	8081410	STOPPER GEAR SHIFT ARM	1	1	1	1	1	1	
5	M7081180	LEVER COMP. GEARSHIFT	1	1					
5A	M7081640	LEVER ASSY. GEAR SHIFT			1	1	1	1	
6	0258030	RUBBER GEAR SHIFT LEVER	1	1					
6A	M7081740	RUBBER GEAR SHIFT LEVER			1	1	1	1	
7	420462700	HEX SCREW M6x20	1	1	1	1	1	1	
8	M7080690	GUIDE T/M OIL	1	1	1	1	1	1	
9	M1080740	RETAINER T/M OIL GUIDE	1	1	1	1	1	1	
10	0332068	CRR PAN HEAD SCREW M6x12	1	1	1	1	1	1	
11	0331748	CRPH SCREW M6x16	1	1	1	1	1	1	
12	M7081810	INDEX STAR	1	1	1	1	1	1	
13	3044034	ROLLER CAM DRIVE (LONG)	5	5	5	5	5	5	
14	M7081800	CAM GEAR SHIFT	1	1	1	1	1	1	
15	8200320	CIRCLIP 5.0	1	1	1	1	1	1	
16	8081460	ARRESTOR PLATE COMPLETE	1	1					
17	C8080200	GUIDE COMP. GEAR SHIFT	1	1					
18	0332228	CRR CSK HEAD SCREW M6x16	2	2	2	2	2	2	
19	M7080590	FORK GEAR SHIFT No.2	1	1	1	1	1	1	
20	M7080580	FORK GEAR SHIFT No.1	1	1	1	1	1	1	
21	N2081570	SPACER ROLLER GEAR SHIFT FORK	3	3	3	3	3	3	
22	N2060100	CONTACT COMP. GEAR SHIFT SWI	1	1	1	1	1	1	
23	0332238	RECESSED CSK HEAD SCREW	1	1	1	1	1	1	

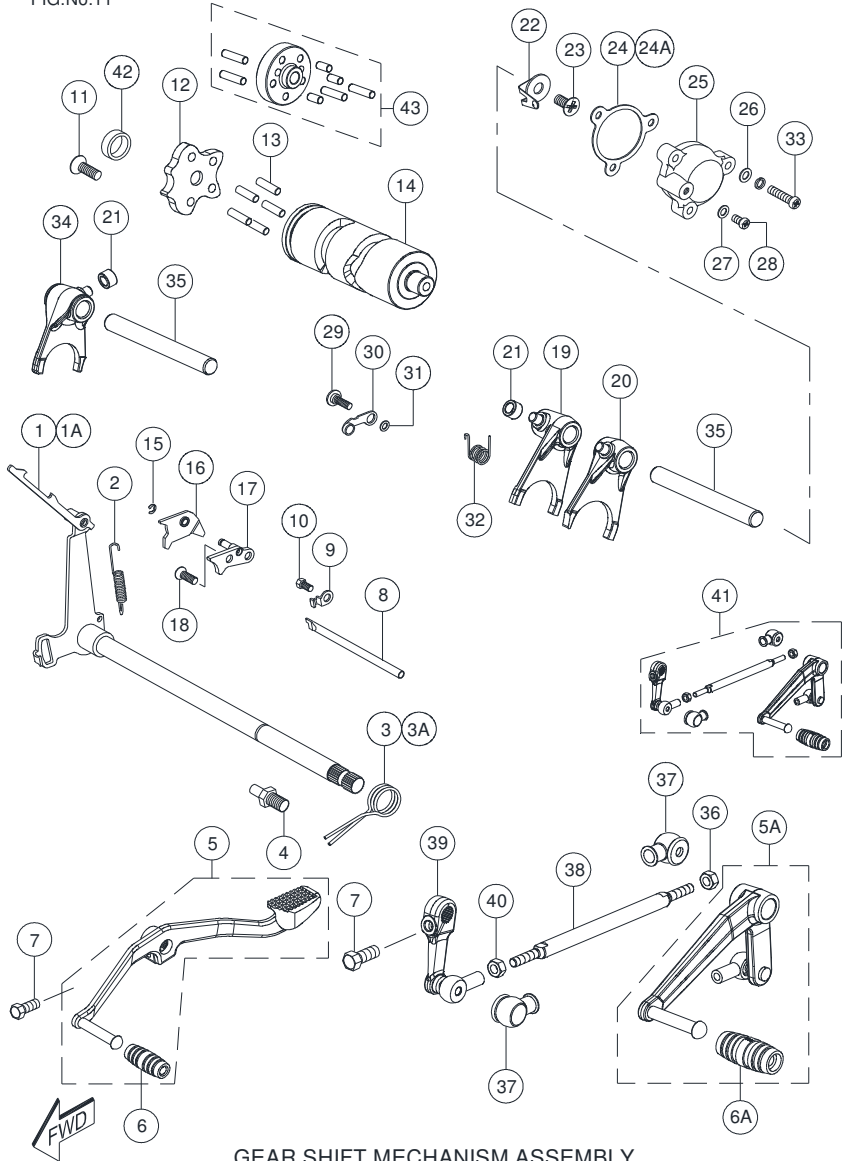
Replaces M7081170

N S

# SET CONSISTS OF \*\* MARKED ITEM

N. S - NOT SERVICEABLE

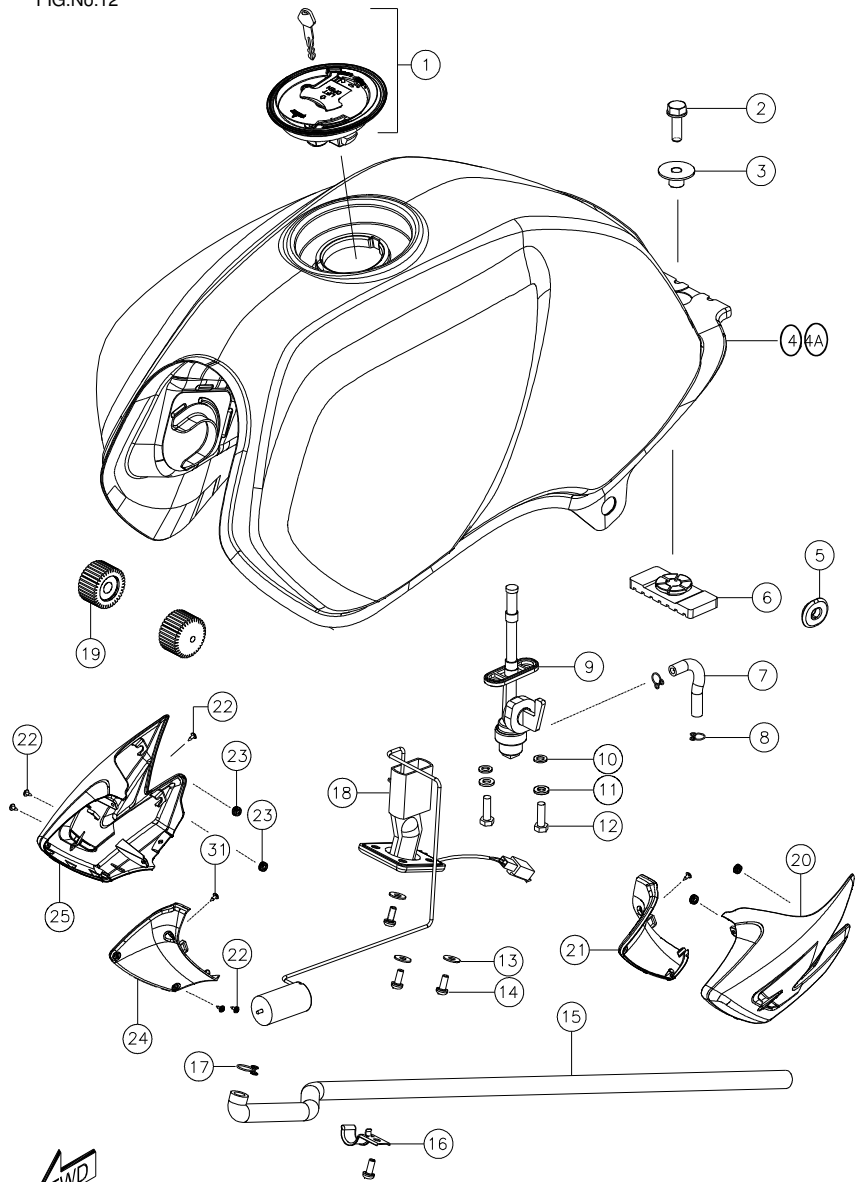
FIG.No.11



**GEAR SHIFT MECHANISM ASSEMBLY**

FIG.NO. 11

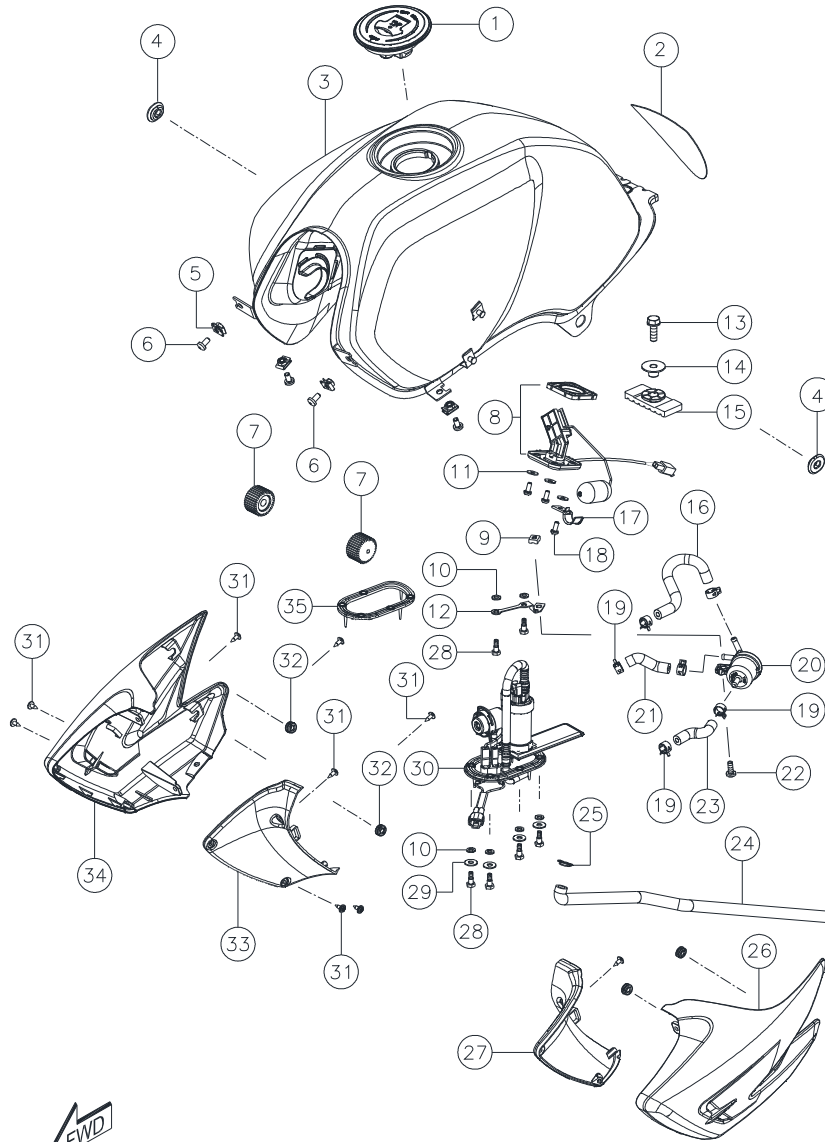
REF NO.	PART NO.	DESCRIPTION	NO. OFF					REMARKS
			APACHE 150	RTR	RTR REF.	RTR EFI	RTR REF.	
			DR BR	DISC FR BR	REAR DISC	NEW		
24	N2160150	GASKET GEAR SHIFT SWITCH	1	1				
24A	M7081850	GASKET GEAR SHIFT SWITCH			1	1	1	1
25	M7081860	BODY GEAR SHIFT SWITCH	1	1	1	1	1	1
26	0335068	PUNCHED WASHER 4.3x10x.8	3	3	3			
27	0335548	PUNCHED WASHER 3.3x8x.5	1	1	1	1	1	1
28	0332018	CRR PAN SCREW M3x4	1	1	1	1	1	1
29	M1080830	BOLT GEAR SHIFT CAM STOPPER	1	1	1	1	1	1
30	M6080090	STOPPER COMPLETE GEAR SHIFT	1	1	1	1	1	1
31	M1200690	SHIM 6x14x1	1	1	1	1	1	1
32	M7081290	SPRING GEAR SHIFT CAM STOPPE	1	1	1	1	1	1
33	F200098	SCREW M5x20	3	3	3	3	3	3
34	M7080470	FORK GEAR SHIFT HIGH SPEED	1	1	1	1	1	1
35	M7080520	SHAFT SHIFT FORK	2	2	2	2	2	2
36	420305700	HEX NUT M6			1	1	1	1
37	M7081450	GROMMET			2	2	2	2
38	M7081370	STUD GEAR SHIFT			1	1	1	1
39	M7081400	LINK GEAR SHIFT ASSY.			1	1	1	1
40	M7200550	HEX NUT M6			2	2	2	2
41	M7081650	GEAR SHIFT LINKAGE ASSY.			1	1	1	1
42	M7081870	BEARING BUSH CAM GEAR SHIFT				1	1	1
43	M7081820	PIN COMP HOLDER				1	1	1



FUEL TANK &amp; FUEL COCK ASSY.

**FUEL TANK & FUEL COCK ASSY.**

REF NO.	PART NO.	DESCRIPTION	NO. OFF					REMARKS	
			APACHE 150		RTR	RTR REF.	RTR EFI		RTR REF.
			DR BR	DISC FR BR	REAR DISC	NEW			
1	N9140470	CAP FUEL TANK	1	1	1	1			
2	M1200480	HEX FLANGE BOLT M8x25	1	1	1	1			
3	N9140540	BUSH FUEL TANK REAR MTG.	1	1	1	1			
4	----	FUEL TANK COMP.	1	1	1			REF.COLOUR MATRIX	
4A	----	FUEL TANK COMP.				1		REF.COLOUR MATRIX	
5	N8220400	CUSHION FRAME COVER	2	2	2	2			
6	N9140530	CUSHION FUEL TANK REAR MTG.	1	1	1	1			
7	M1140220	HOSE, FUEL	1	1	1	1			
8	414147000	HOSE CLIP	2	2	2	2			
9	N9140670	FUEL COCK ASSY.	1	1	1	1			
10	N3140120	GASKET FUEL COCK	2	2	2	2			
11	420001700	PUNCHED WASHER	2	2	2	2			
12	420462700	HEX SCREW M6x20	2	2	2	2			
13	0335558	PUNCHED WASHER	3	3	3	3			
14	0331708	CRR PAN HEAD SCREW	4	4	4	4			
15	N9140650	HOSE FUEL TANK	1	1	1	1			
16	N9140700	BRACKET FUEL HOSE	1	1	1	1			
17	M1040650	HOSE CLIP	1	1	1	1			
18	N9160640	FUEL GAUGE ASSY.	1	1	1	1			
19	N2140060	CUSHION FUEL TANK FRONT	2	2	2	2			
20	--	COVER FUEL TANK LH				1			
21	--	COVER FUEL TANK INNER LH				1			
22	N3200340	CRR FL. PAN HD TAP SCR 4.2x13				8			
23	N9141000	CUSHION COVER FUEL TANK				4			
24	--	COVER FUEL TANK INNER RH				1			
25	--	COVER FUEL TANK RH				1			

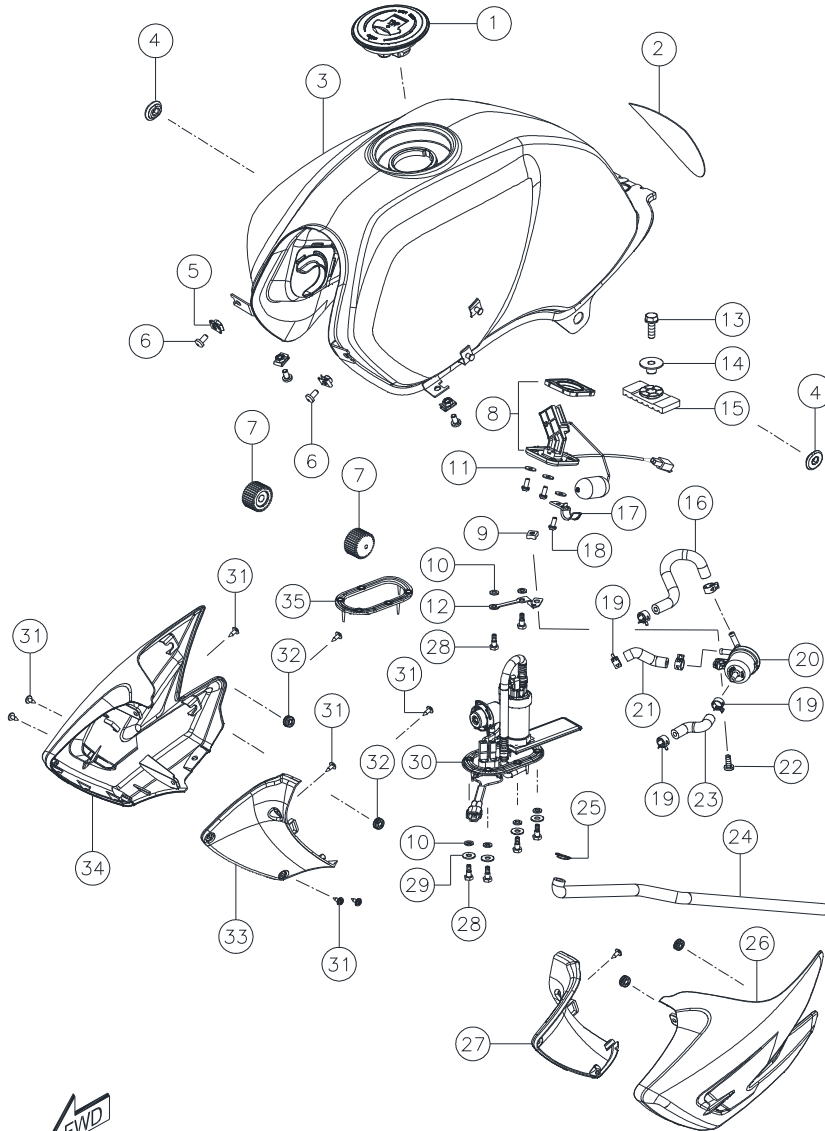


FUEL TANK &amp; FUEL PUMP ASSY. FI

## FUEL TANK &amp; FUEL PUMP ASSY. EFI

REF NO.	PART NO.	DESCRIPTION	NO. OFF					REMARKS	
			APACHE 150		RTR	RTR REF.	RTR EFI		RTR REF.
			DR BR	DISC FR BR		REAR DISC	NEW		
1	N9140470	CAP FUEL TANK						1	
2	N3210190	STICKER PROTECTION						1	
3	---	FUEL TANK COMP.						1	REF.COLOUR MATRIX
4	N8220400	CUSHION COVER FUEL TANK						2	
5	S1200700	RETAINER CLIP COMP. PANEL						4	
6	P3200010	CRR PAN HEAD SCREW M6x12						4	
7	N2140060	BUSH FUEL TANK RR MTG						2	
8	M9160160	FUEL SENDER UNIT						1	
9	0334070	CRR PAN HEAD SCREW						1	
10	N3140120	GASKET OIL LEVEL PLUG						1	
11	335558	PUNCHED WASHER 5.5x14x1						4	
12	N9140830	BRKT FUEL FILTER MTG.						1	
13	M1200480	HEX FL. BOLT M8x25						1	
14	N9140540	CUSHION FUEL TANK RR MTG TOP						1	
15	N9140530	CUSHION FUEL TANK RR MTG						1	
16	M7140900	HOSE FILTER TO MODEL						1	
17	N9140700	HOSE GUIDE						1	
18	0331708	CRPH SCREW M5x12						4	
19	N9140840	HOSE CLAMP DIA 11						4	

FIG.No.12A



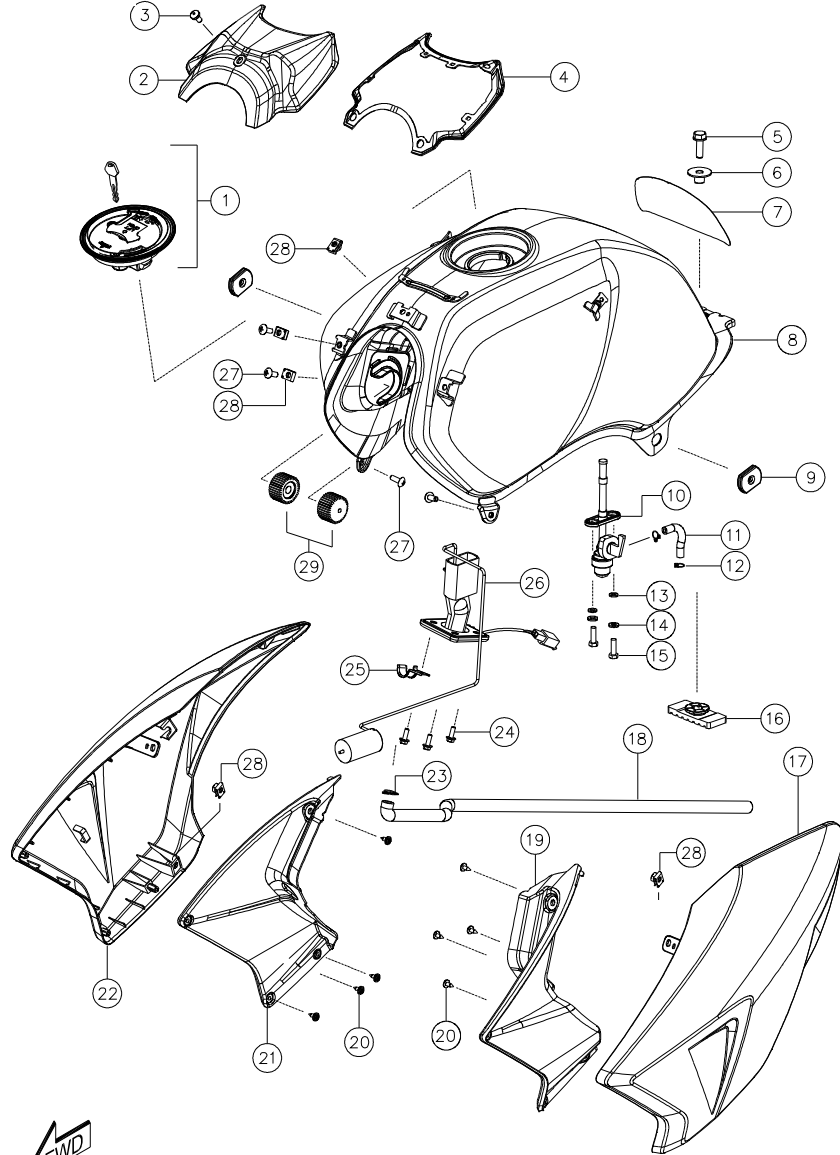
FUEL TANK & FUEL PUMP ASSY. FI

FUEL TANK & FUEL PUMP ASSY. EFI

FIG.NO.12A

REF NO.	PART NO.	DESCRIPTION	NO. OFF					REMARKS
			APACHE 150		RTR	RTR	RTR	
			DR BR	DISC FR BR	REF.	EFI	REF.	
20	M7140860	FUEL FILTER					1	
21	M7140910	HOSE INJECTION					1	
22	0331748	CRPH SCREW M6x16					1	
23	M7140890	HOSE MODULE TO FILTER					1	
24	N9140650	HOSE FUEL TANK					1	
25	M1040650	CLAMP HOSE					1	
26	---	COVER FUEL TANK LH					1	REF.COLOUR MATRIX
27	---	COVER FUEL TANK INNER LH					1	REF.COLOUR MATRIX
28	N9200270	SPL HEX BOLT M5					6	
29	0335608	PUNCHED WASHER 6.5x16x1.2					6	
30	M7141000	FUEL PUMP MODEL ASSY.					1	
31	N3200340	CRR FL. PAN HD TAP SCR 4.2x13					8	
32	N9141000	CUSHION COVER FUEL TANK					4	
33	---	COVER FUEL TANK INNER RH					1	REF.COLOUR MATRIX
34	---	COVER FUEL TANK RH					1	REF.COLOUR MATRIX
35	M7140720	SEAL FUEL PUMP					1	

FIG.No. 12B



FUEL TANK & FUEL COCK ASSY.

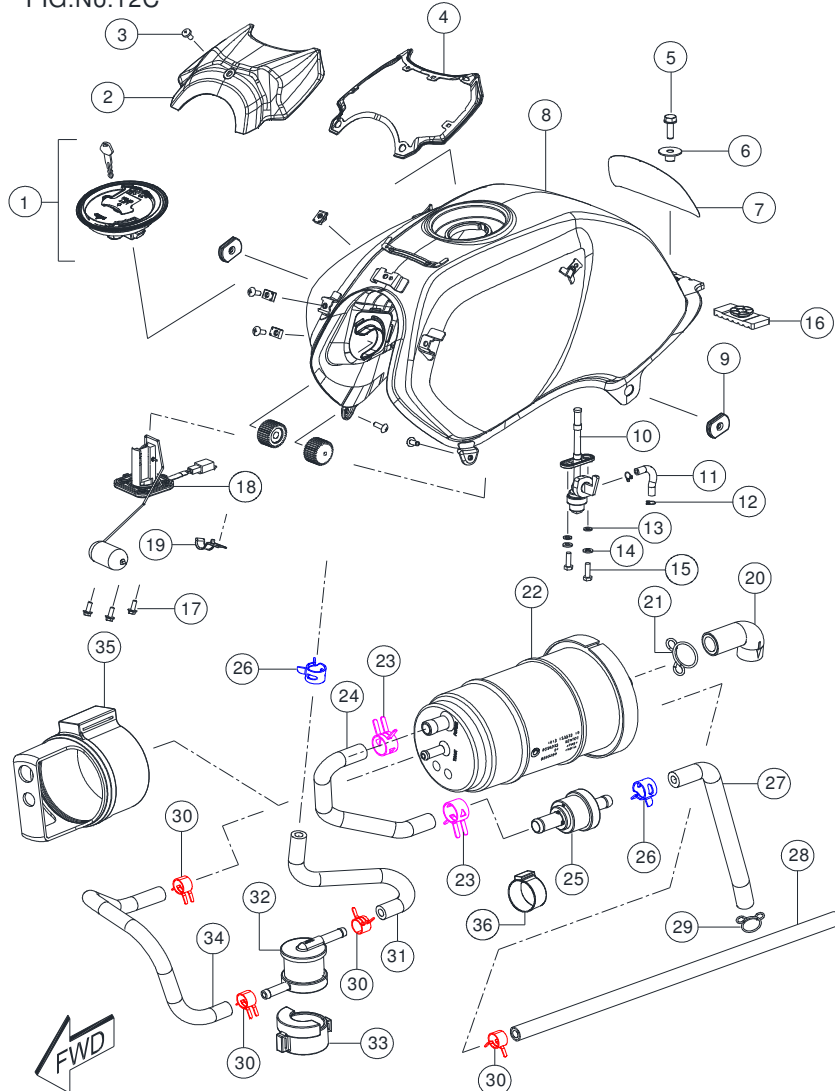
**FUEL TANK & FUEL COCK ASSY.(NEW REF.)**

FIG.NO.12B

REF NO.	PART NO.	DESCRIPTION	NO. OFF					REMARKS	
			APACHE 150		RTR	RTR REF.	RTR EFI		RTR REF.
			DR BR	DISC FR BR	REAR DISC	NEW			
1	N9140470	CAP FUEL TANK						1	
2	N9223920	COVER FUEL TANK ASSY. TOP						1	(WITH BEADING)
3	P3200010	CRPH SCREW M6x12						1	
4	N9223380	BEADING COVER FUEL TANK TOP						1	
5	M1200480	HEX FLANGE BOLT M8x25						1	
6	N9140540	BUSH FUEL TANK REAR MTG.						1	
7	N9224850	STICKER PROTECTION						1	
8	---	FUEL TANK COMP.						1	REF.COLOUR MATRIX
9	K122810	CUSHION FRAME COVER						1	
10	N9140670	FUEL COCK ASSY.						1	
11	M1140220	HOSE, FUEL						1	
12	414147000	HOSE CLIP						1	
13	N3140120	GASKET FUEL COCK						1	
14	420001700	PUNCHED WASHER						1	
15	420462700	HEX SCREW M6x20						1	
16	N9140530	CUSHION FUEL TANK RR MTG.						1	
17	---	COVER FUEL TANK OUTER LH						1	REF.COLOUR MATRIX
18	N9140650	HOSE FUEL TANK						1	
19	N9222890	COVER FUEL TANK INNER LH						1	
20	N3200340	CRR FL. PAN HD TAP SCR 4.2x13						8	
21	N9222910	COVER FUEL TANK INNER RH						1	
22	---	COVER FUEL TANK OUTER RH						1	"
23	M1040650	HOSE CLIP						1	
24	R1200380	HEX FLANGE BOLT M5x14						4	
25	N9140700	BRACKET FUEL HOSE						1	
26	N9160640	FUEL GAUGE ASSY.						1	
27	0332275	CRPH SCREW M6x16						4	
28	K3200840	RETAINER CLIP NUT M6						5	
29	N2140060	CUSHION FUEL TANK FRONT						1	
30	N9223110	GROMMET COVER FUEL TANK						1	
31	N9223120	GROMMET COVER FUEL TANK						1	



FIG.No.12C



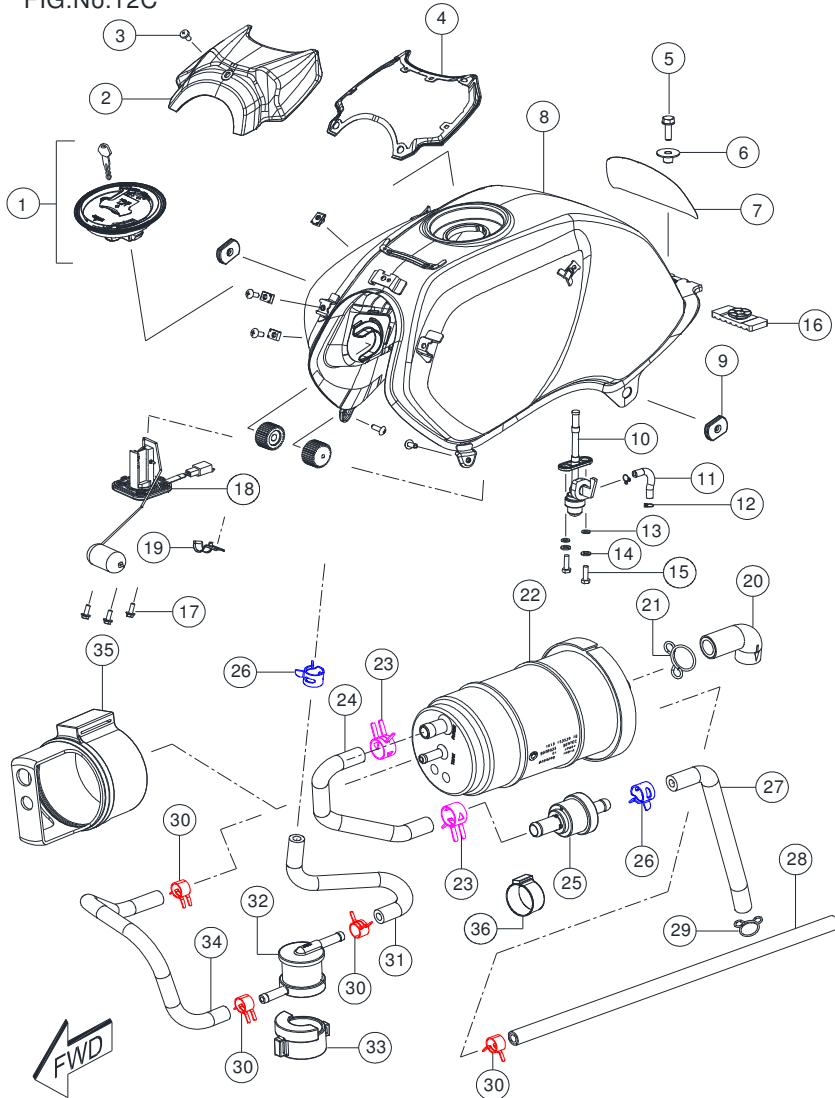
FUEL TANK ASSEMBLY - BSIV

FUEL TANK & FUEL COCK ASSY.(NEW REF.)

FIG.NO.12C

REF NO.	PART NO.	DESCRIPTION	NO. OFF					REMARKS	
			APACHE 150		RTR	RTR	RTR		
			DR BR	DISC FR BR	REF.	EFI	REF.		
1	N9140470	CAP FUEL TANK						1	
1A	N9141820	CAP FUEL TANK						1	<b>BSIV</b>
2	N9223920	COVER FUEL TANK ASSY. TOP						1	(WITH BEADING)
3	P3200010	CRPH SCREW M6x12						1	
4	N9223380	BEADING COVER FUEL TANK TOP						1	
5	M1200480	HEX FLANGE BOLT M8x25						1	
6	N9140540	BUSH FUEL TANK REAR MTG.						1	
7	N9224850	STICKER PROTECTION						1	
8	---	FUEL TANK COMP.						1	REF.COLOUR MATRIX
9	K122810	CUSHION FRAME COVER						1	
10	N9140670	FUEL COCK ASSY.						1	
11	M1140220	HOSE, FUEL						1	
12	414147000	HOSE CLIP						1	
13	N3140120	GASKET FUEL COCK						1	
14	420001700	PUNCHED WASHER						1	
15	420462700	HEX SCREW M6x20						1	
16	N9140530	CUSHION FUEL TANK RR MTG.						1	
17	R1200380	HEX FLANGE BOLT M5x14						4	
18	N9162570	FUEL GAUGE ASSY.						1	<b>BSIV</b>
19	N9140700	BRACKET FUEL HOSE						1	
20	N9141650	HOSE AIR INLET						1	
21	R1140440	HOSE CLIP DIA 13						1	
22	N9141840	CANISTER COMP.						1	<b>BSIV</b>
23	R1040460	CLIP HOSE BREATHER						2	<b>BSIV</b>
24	N9141950	HOSE PURGE VALVE						1	<b>BSIV</b>
25	N9141630	PURGE VALVE						1	<b>BSIV</b>
26	N4200130	HOSE CLAMP						2	<b>BSIV</b>

FIG.No.12C



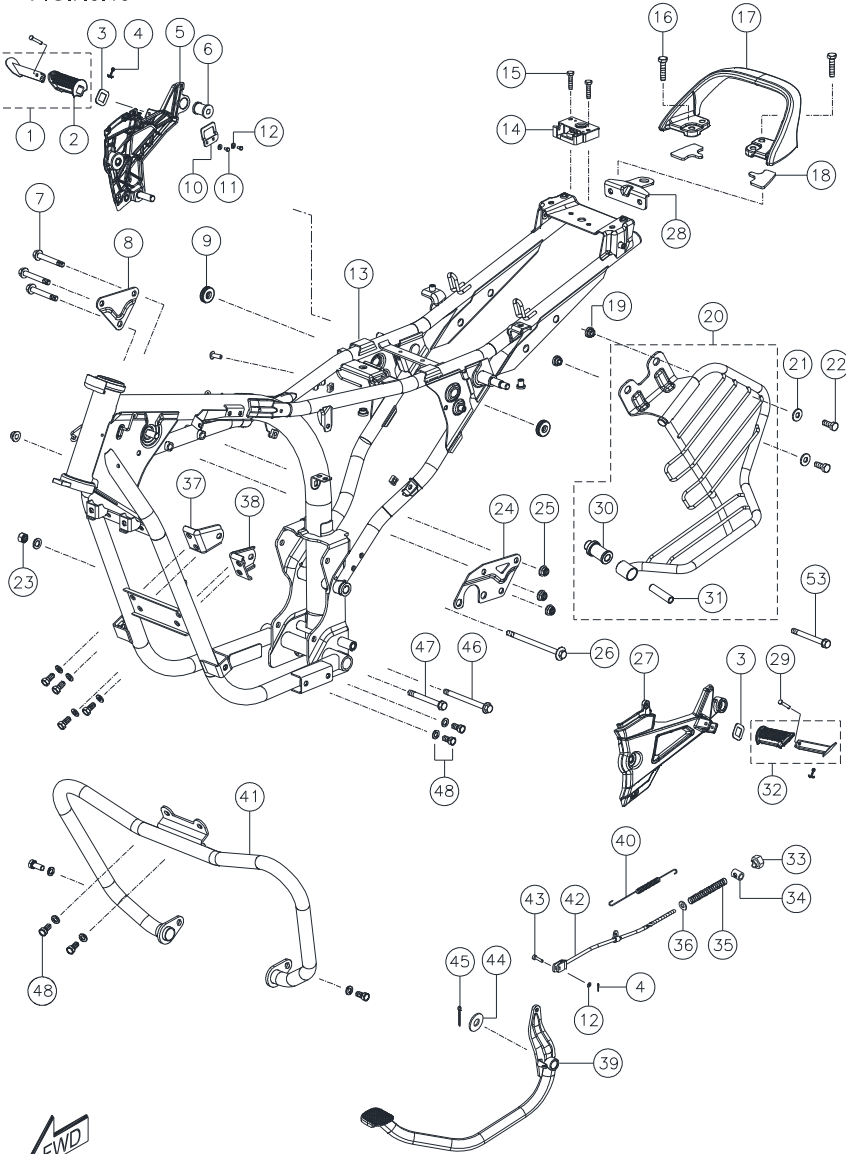
FUEL TANK ASSEMBLY - BSIV

FUEL TANK & FUEL COCK ASSY.(NEW REF.)

FIG.NO.12C

REF NO.	PART NO.	DESCRIPTION	NO. OFF					REMARKS	
			APACHE 150		RTR	RTR	RTR		
			DR BR	DISC FR BR	REF.	EFI	REF.		
27	N9141860	HOSE - PCV TO CARBURETTOR						1	BSIV
28	N9142220	HOSE DRAIN CANISTER						1	BSIV
29	41414700	HOSE CLIP						1	BSIV
30	N8040370	HOSE CLIP VACUUM						4	BSIV
31	N9141850	HOSE ROLL OVER VALVE						1	BSIV
32	N9141640	ROLLOVER VALVE COMP.						1	BSIV
33	N9141990	BOOT ROLL OVER VALVE						1	BSIV
34	K140720	HOSE CANISTER						1	BSIV
35	N9141590	BOOT CANISTER						1	BSIV
36	N9141960	BOOT PURGE VALVE						1	BSIV

FIG.No.13



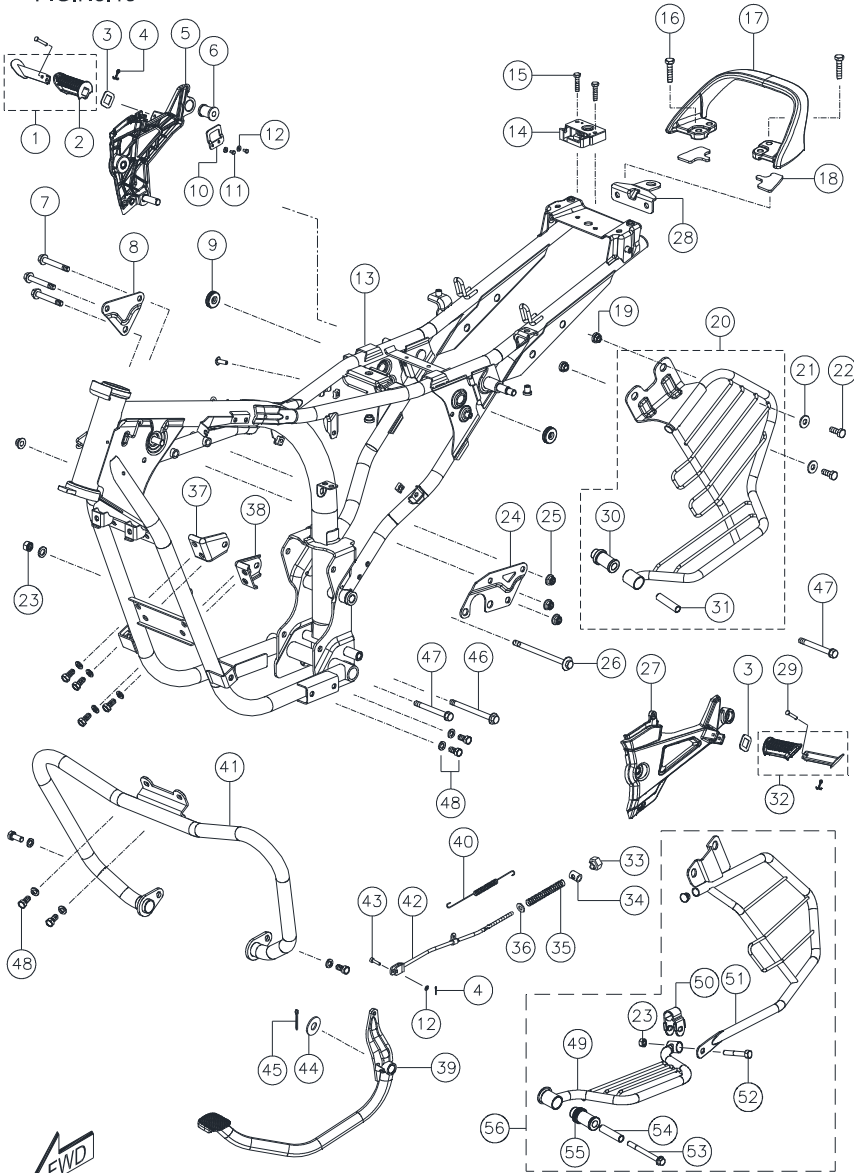
FRAME & SAREE GUARD ASSEMBLY (APACHE)

**FRAME & SAREE GUARD ASSY. (APACHE)**

FIG.NO. 13

REF NO.	PART NO.	DESCRIPTION	NO. OFF					REMARKS	
			APACHE 150		RTR	RTR REF.	RTR EFI		RTR REF.
			DR BR	DISC FR BR		REAR DISC	NEW		
1	N9122600	HOLDER ASSY. PILLION RH	1	1					
2	N9122550	RUBBER FOOTREST PILLION	2	2					
3	N9122650	WASHER PILLION FOOTREST	2	2					
4	0330048	SPLIT PIN 2.0x20 ZNB	3	3					
5	N9220690	BRACKET PILLION FOOT REST RH	1	1					
6	N2121060	CUSHION EXHAUST MTG.	1	1					
7	M7200070	HEX FL BOLT M8x55	3	3					
8	N9123000	BRKT ENGINE MTG. UPPER RH	1	1					
9	N3130100	CUSHION	2	2					
10	N9220880	BRACKET COVER LOCK	1	1					
11	C1200020	HEX SCREW M5x8	2	2					
12	0335558	PUNCHED WASHER 5.5x12x1.0	3	3					
13		FRAME COMP. - APACHE	1	1					
14	K3130090	LATCH ASSEMBLY	1	1					
15	420526700	HEX BOLT	2	2					
16	M1200480	HEX FLANGE BOLT, M8x25	4	4					
17	N9220180	PILLION HANDLE	1	1					
18	N9220560	CUSHION PILLION HANDLE	2	2					
19	---	BUSH - M8	2	2					
20	N9220800	SAREE GUARD COMP.	1	1					
21	0336018	PUNCHED WASHER 12.5x20x2	2	2					
22	420454700	HEX SCREW M8x20	2	2					
23	0334548	HEX NUT M8	3	3					
24	N9122990	BRKT ENGINE MTG. UPPER LH	1	1					
25	M1200890	HEX FL U-NUT M8	3	3					
26	M1200120	HEX FL BOLT M8x120	1	1					
27	N9220680	BRACKET PILLION FOOTREST LH	1	1					

FIG.No.13



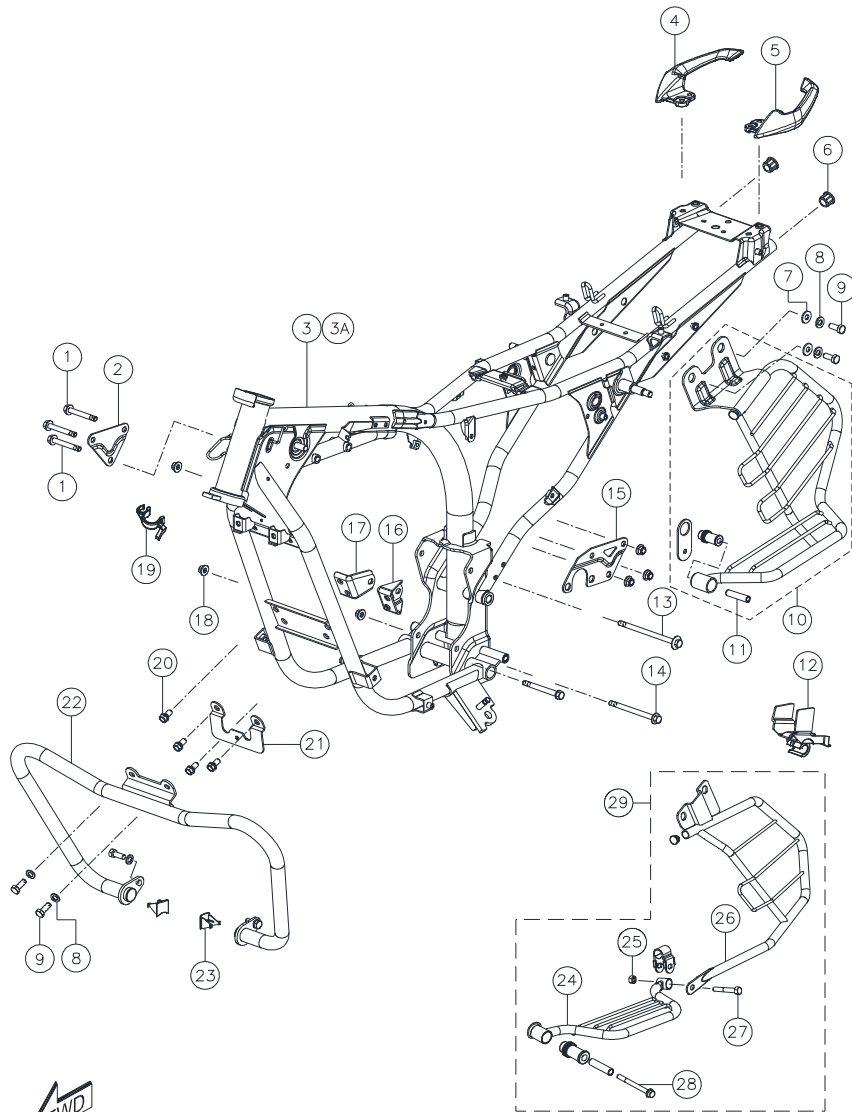
FRAME & SAREE GUARD ASSEMBLY (APACHE)

**FRAME & SAREE GUARD ASSY. (APACHE)**

FIG.NO. 13

REF NO.	PART NO.	DESCRIPTION	NO. OFF					REMARKS	
			APACHE 150		RTR	RTR REF.	RTR EFI		RTR REF.
			DR BR	DISC FR BR	REAR DISC	NEW			
28	N9220960	BRACKET RC LAMP	1	1					
29	N9121790	COTTER PIN	2	2					
30	N9321710	CUSHION SAREE GUARD	1	1					
31	N9321700	SLEEVE SAREE GUARD	1	1					
32	N9122570	HOLDER ASSY. PILLION LH	1	1					
33	0334278	NUT REAR BRAKE ROD ADJ.	1	1					
34	S1111930	PIN REAR BRAKE ROD ADJ.	1	1					
35	N3110360	SPRING RR BRAKE ROD ADJ.	1	1					
36	0335578	PLAIN WASHER 6.5	1	1					
37	N9123080	BRKT COMP. RH ENGINE MTG. FRO	1	1					
38	N9123070	BRKT COMP. LH ENGINE MTG. FRO	1	1					
39	N9110920	BRAKE PEDAL COMP.	1	1					
40	N2110700	BRAKE RETURN SPRING	1	1					
41	N9220740	CRASH GUARD COMP.	1	1					
42	N9110110	ROD COMP., REAR BRAKE	1	1					
43	N2110600	PIN REAR BRAKE CONNECTOR	1	1					
44	0335708	PUNCHED WASHER 15.5x26x2.3	2	2					
45	0330028	SPLIT PIN 3.2x25	1	1					
46	M1200110	HEX FL BOLT M8x95	1	1					"BLOCKED"
47	M1200100	HEX FL BOLT M8x72	2	2					
48	0331058	HEX BOLT+WAVE SPRING WASHER M8	12	12					
49									
50									
51	N9220800	SAREE GUARD COMP.	1	1					
52									
53									
54									
55									
56	N9324640	KIT SAREEGUARD	1	1					

FIG.No.13A



FRAME & SAREE GUARD ASSEMBLY

**FRAME & SAREE GUARD ASSY.**

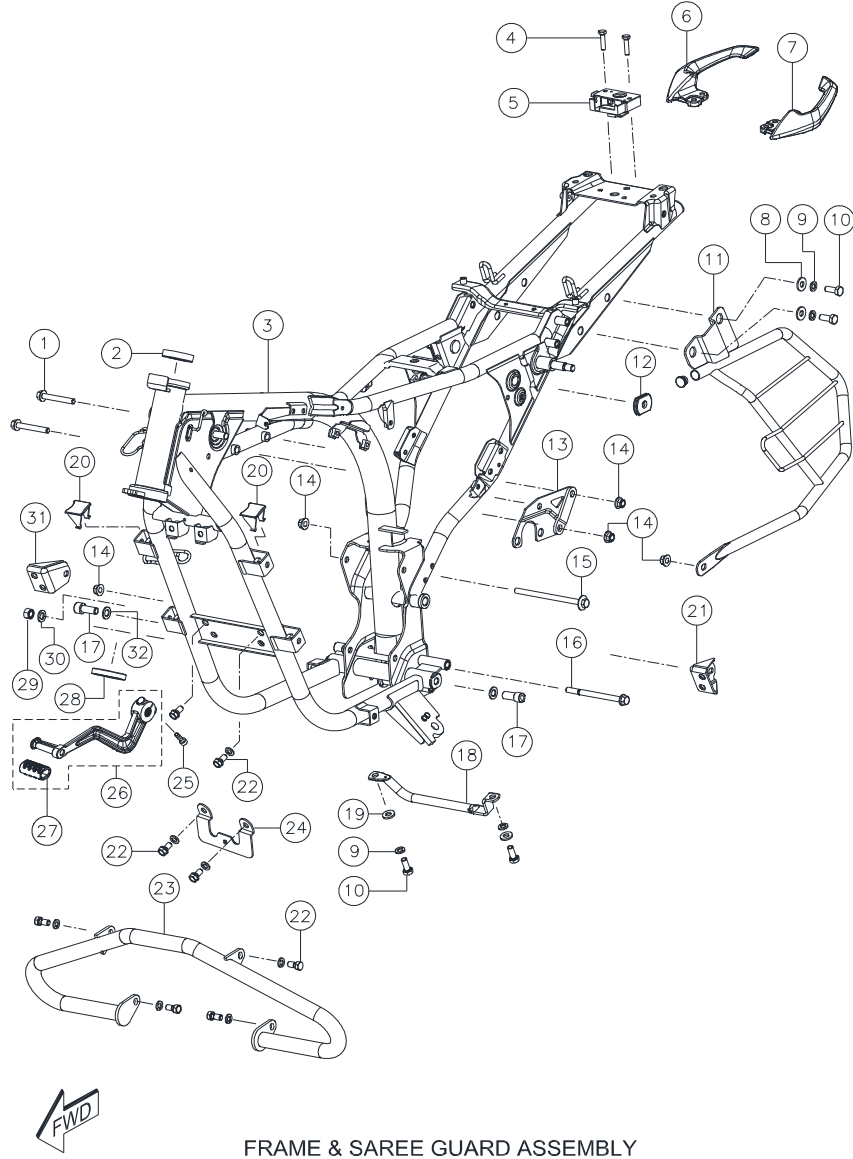
**FIG.NO.13A**

REF NO.	PART NO.	DESCRIPTION	NO. OFF				RTR REF. NEW	REMARKS
			APACHE 150		RTR REF.	RTR EFI		
			DR BR	DISC FR BR	REAR DISC			
1	M7200070	HEX FLANGE BOLT M8x55			3	3	3	
2	N9123000	BRKT ENGINE MTG. UPPER RH			1	1	1	
3	N9125860	FRAME COMP. - RTR			1	1		
3A	N9124810	FRAME COMP. - EFI					1	
4	N92210607D	PILLION HANDLE RH			1	1	1	
5	N92210507D	PILLION HANDLE LH			1	1	1	
6	N3120410	PLUG TUBE UPPER			2	2	2	
7	0336018	PUNCHED WASHER 8.5x20x2			2	2	2	
8	0330318	WAVE SPRING WASHER M8			6	6	6	
9	420454700	HEX SCREW M8x20			6	6	6	
10	N9221710	SAREE GUARD COMP.			1	1	1	
11	N9321700	SLEEVE SAREE GUARD			1	1	1	
12	N9091630	GUIDE DRIVE CHAIN			1	1	1	
13	M1200120	HEX FLANGE BOLT M8x120			1	1	1	
14	M1200110	HEX FLANGE BOLT M8x95			1	1	1	
15	N9123760	DUST COVER CRANKCASE			1			
16	N9124990	BRKT ENGINE MTG FRONT LH			1	1	1	
17	N9125000	BRKT ENGINE MTG FRONT RH			1	1	1	
18	M1200890	HEX FLANGE NUT M8			6	6	6	
19	N9200280	CABLE CLIP DIA 18			1	1	1	
20	0331058	HEX BOLT+SPRING WASHER M8x16			4	4	4	
21	N9221440	BRKT COMP. GUARD CENTER			1	1	1	
22	N9221690	CRASH GUARD COMP.			1	1	1	
23	N9123750	COVER BRACKET CRASHGUARD			2	2	2	
24	N4220510	FOOTREST COMP			1	1	1	
25	0334548	HEX NUT M10			1	1	1	
26	N9220800	SAREE GUARD COMP.			1	1	1	
27	S1101250	HEX BOLT M8x35			1	1	1	
28	N3200060	HEX BOLT M8x85			1	1	1	
29	N9324640	KIT SAREEGUARD			1	1	1	

FIG.No.13B

**FRAME & SAREE GUARD ASSY. (NEW REF.)**

FIG.NO.13B



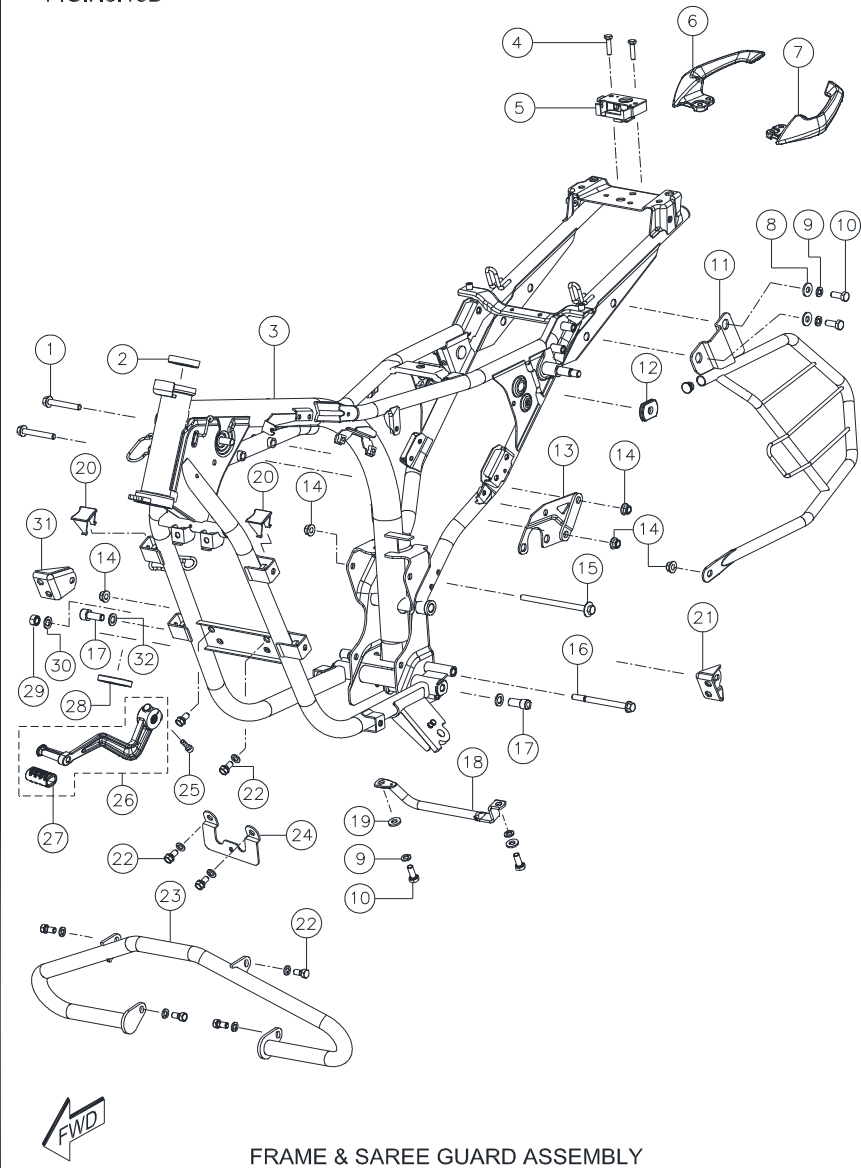
REF NO.	PART NO.	DESCRIPTION	NO. OFF					REMARKS	
			APACHE 150	RTR	RTR REF.	RTR EFI	RTR REF.		
			DR BR	DISC FR BR	REAR DISC	NEW			
1	M7200070	HEX FLANGE BOLT M8x55						2	
2	S1125290	RACE STEERING INNER						1	
3	N9125860	FRAME COMP. (DRUM & DISC)						1	
4	420463700	HEX SCREW M6x25						2	
5	N9123220	LATCH ASSY.						1	
6	N92210607D	PILLION HANDLE RH						1	
7	N92210507D	PILLION HANDLE LH						1	
8	0336018	PUNCHED WASHER 8.5x20x2						2	
9	0330318	WAVE SPRING WASHER M8						4	
10	420454700	HEX SCREW M8x20						4	
11	0335578	PUNCHED WASHER 6.5x13x1						1	
12	K122810	CUSHION COVER FRAME						1	
13	N9122990	BRKT LH ENG. MTG UPPER						1	
14	M1200890	U NUT M8x1.2						5	
15	M1200120	HEX FLANGE BOLT M8x120						1	
16	N5200330	HEX FLANGE BOLT M8x100						1	
17	N9200250	HEX SOC HD CAP SCR M10x25						2	
18	N9126170	CONNECTOR FOOTREST						1	
19	M1200060	PUNCHED WASHER						2	
20	N9123750	COVER BRKT CRASH GUARD						2	
21	N9124990	BRKT ENG. MTG FRONT LH						1	
22	0331058	HEX BOLT + WAVE SPR WASHER M8x16						6	
23	N9223280	CRASH GUARD COMP						1	
24	N9221440	BRKT COMP. GUARD CENTER						1	
25	N2200470	HEX SOC HD CAP SCREW M6x20						1	
26	N9112010	BRAKE PEDAL ASSY.						1	
27	N9112000	SLEEVE BRAKE PEDAL						1	



FIG.No.13B

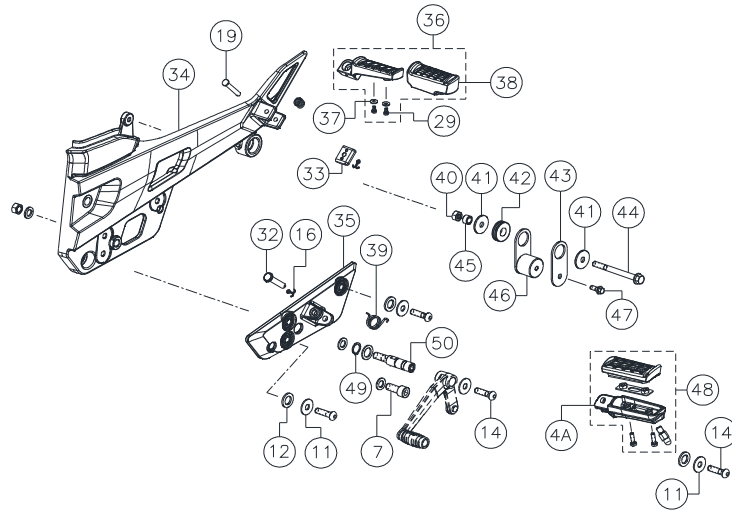
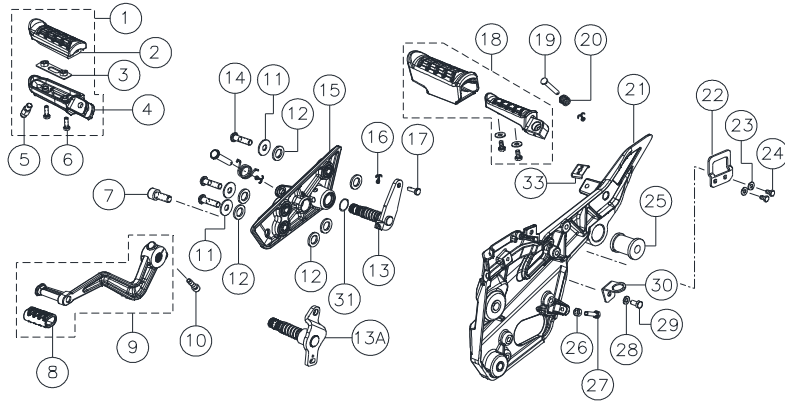
FRAME & SAREE GUARD ASSY. (NEW REF.)

FIG.NO.13B



REF NO.	PART NO.	DESCRIPTION	NO. OFF					REMARKS	
			APACHE 150		RTR REF.	RTR EFI	RTR REF.		
			DR BR	DISC FR BR	REAR DISC	NEW			
28	K3100590	CUP BOTTOM						1	
29	0334038	HEX NUT M10						1	
30	0330328	WAVE SPRING WASHER M10						1	
31	N9125000	BRKT ENG. MTG FRONT RH						1	
32	0335528	PUNCHED WASHER						2	

FIG.No. 14



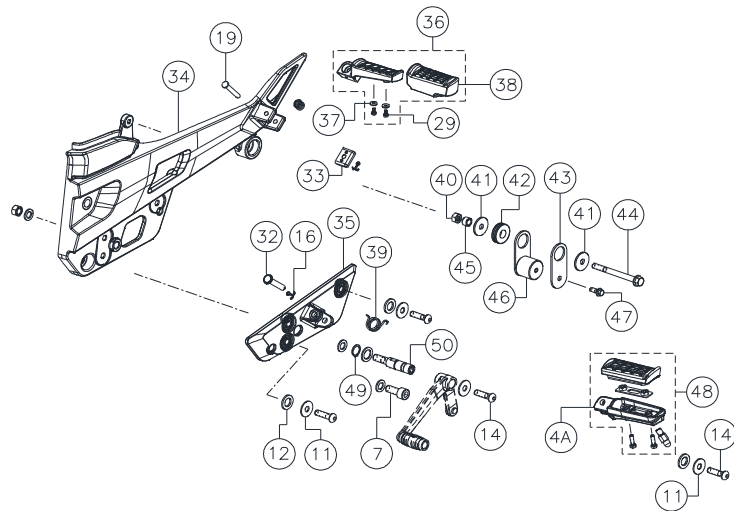
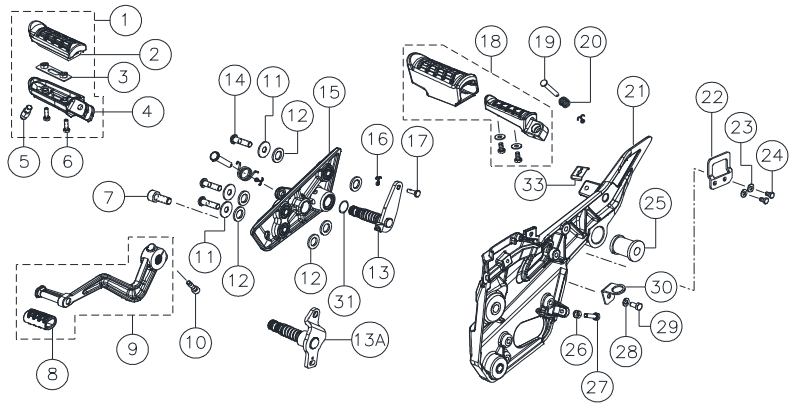
RIDER & PILLION FOOTREST LH,RH ASSY.

RIDER & PILLION FOOREST LH,RH ASSY.

FIG.NO.14

REF NO.	PART NO.	DESCRIPTION	NO. OFF					REMARKS
			APACHE 150		RTR	RTR	RTR	
			DR BR	DISC FR BR	REF.	EFI	REF.	
1	N9123920	RIDER FOOTPEG ASSY. RH			1	1	1	
2	N9124050	SLEEVE RIDER FOOTREST			2	2	2	
3	N9123990	CLAMP COMP. RIDER FOOTREST			2	2	2	
4	N9124040	RIDER FOOTPEG RH			1	1	1	
4A	N9124030	RIDER FOOTPEG LH			1	1	1	
5	N9124000	STUD RIDER FOOTREST			2	2	2	
6	420510700	HEX SCREW M5x16			4	4	4	
7	N9200250	HEX SOC HD CAP SCREW M10x25			2	2	2	
8	N9112000	SLEEVE BRAKE PEDAL			1	1	1	
9	N9112010	BRAKE PEDAL ASSY.			1	1	1	
10	N2200470	HEX SOC HD CAP SCREW M6x20			1	1	1	
11	N9200220	PUNCHED WASHER 8.5x24x1.6			6	6	6	
12	N9124450	RUBBER WASHER RIDER FOOTREST			6	6	6	
13	N9111980	SHAFT COMP. BRAKE PEDAL			1	1		
13A	N9111840	SHAFT COMP. BRAKE PEDAL					1	
14	N9200230	SBHC SCREW M8x30			6	6	6	
15	N9124300	RIDER FOOTREST COMP. RH			1	1	1	
16	0330048	SPLIT PIN 2.0x20			5	5	5	
17	N2110600	PIN REAR BRAKE CONNECTOR			2	2	2	
18	N9125030	PILLION FOOT PEG ASSY. RH			1	1	1	
19	N9121790	PIN PILLION FOOTREST			2	2	2	
20	N9123980	SPRING FOOTREST			2	2	2	
21	N92210207D	PILLION FOOTREST RH			2	2	2	
22	N9220880	BRKT COVER LOCK			1	1	1	
23	0335558	PUNCHED WASHER 5.5x12x1			2	2	2	
24	C1200020	HEX SCREW			2	2	2	
25	N2121060	CUSHION EXHAUST MTG			1	1	1	
26	420305700	HEX NUT M6			1	1	1	

FIG.No. 14



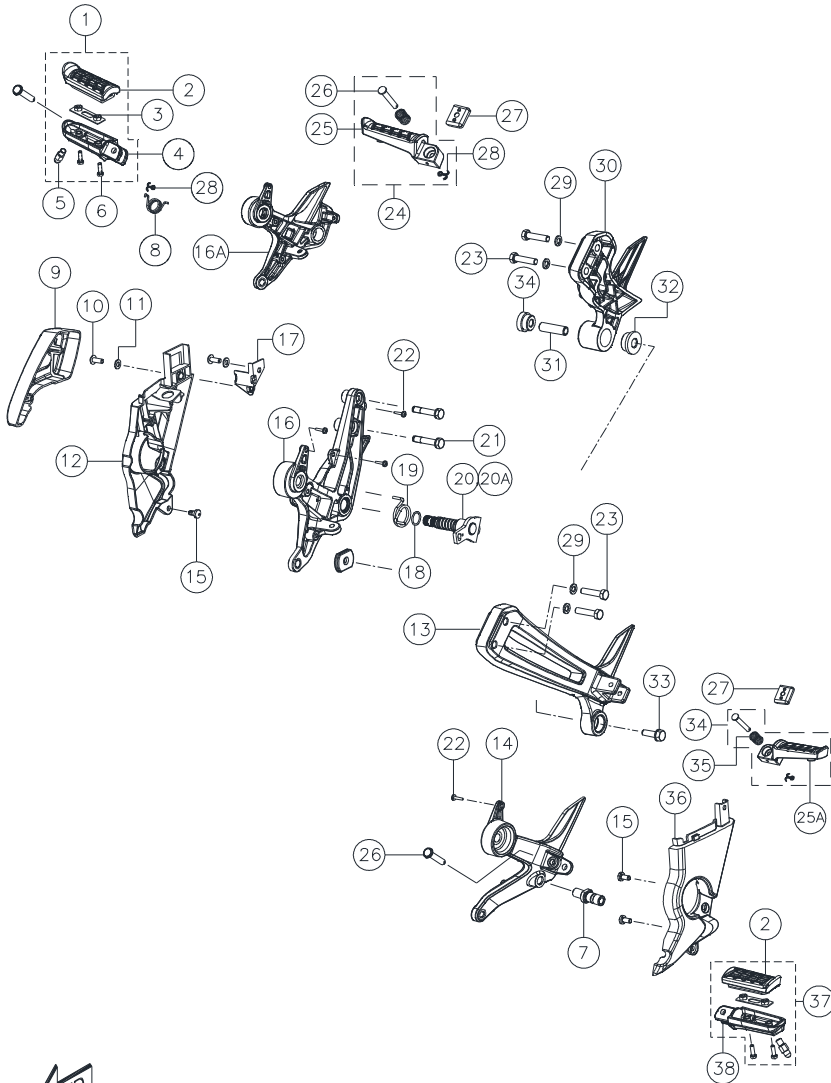
RIDER & PILLION FOOTREST LH,RH ASSY.

RIDER & PILLION FOOREST LH, RH ASSY.

FIG.NO.14

REF NO.	PART NO.	DESCRIPTION	NO. OFF					REMARKS
			APACHE 150		RTR REF.	RTR EFI	RTR REF.	
			DR BR	DISC FR BR	REAR DISC	NEW		
27	420462700	HEX SCREW M6x20			1	1	1	
28	0330408	WAVE SPRING WASHER M6			1	1	1	
29	0331618	HEX SCREW M6x12			5	5	5	
30	N9112140	BRACKET BRAKE SWITCH			1	1	1	
31	N9200300	O RING BRAKE PEDAL			1	1		
32	N9200310	CLEVIS PIN B8x42			2	2	2	
33	N9123970	GUIDE PILLION FOOT PEG LH			2	2	2	
34	N92210107D	PILLION FOOTREST LH			1	1	1	
35	N9124200	RIDER FOOTREST COMP. LH			1	1	1	
36	N9125020	PILLION FOOT PEG ASSY. LH			1	1	1	
37	0335605	PUNCHED WASHER 6.5x16x1.2			4	4	4	
38	N9125010	SLEEVE PILLION FOOTREST			2	2	2	
39	N9124020	TORSION SPRING FOOTPEG			2	2	2	
40	0334548	HEX NUT M8			1	1	1	
41	3257598	WASHER			2	2	2	
42	N9125070	CUSHION			1	1	1	
43	N9125040	SIDE PLATE			1	1	1	
44	M3200060	HEX FL. BOLT M8x85			1	1	1	
45	N9125060	BUSH SAREE GUARD			1	1	1	
46	N9125050	BALANCER MASS COMP.			1	1	1	
47	N3200150	HEX SCREW			1	1	1	
48	N9123930	RIDER FOOTPEG ASSY. LH			1	1	1	
49	U6200030	CIRCLIP DIA 14			1	1	1	
50	N9221560	PIN GEAR SHIFT LEVER			1	1	1	

FIG.No.14A



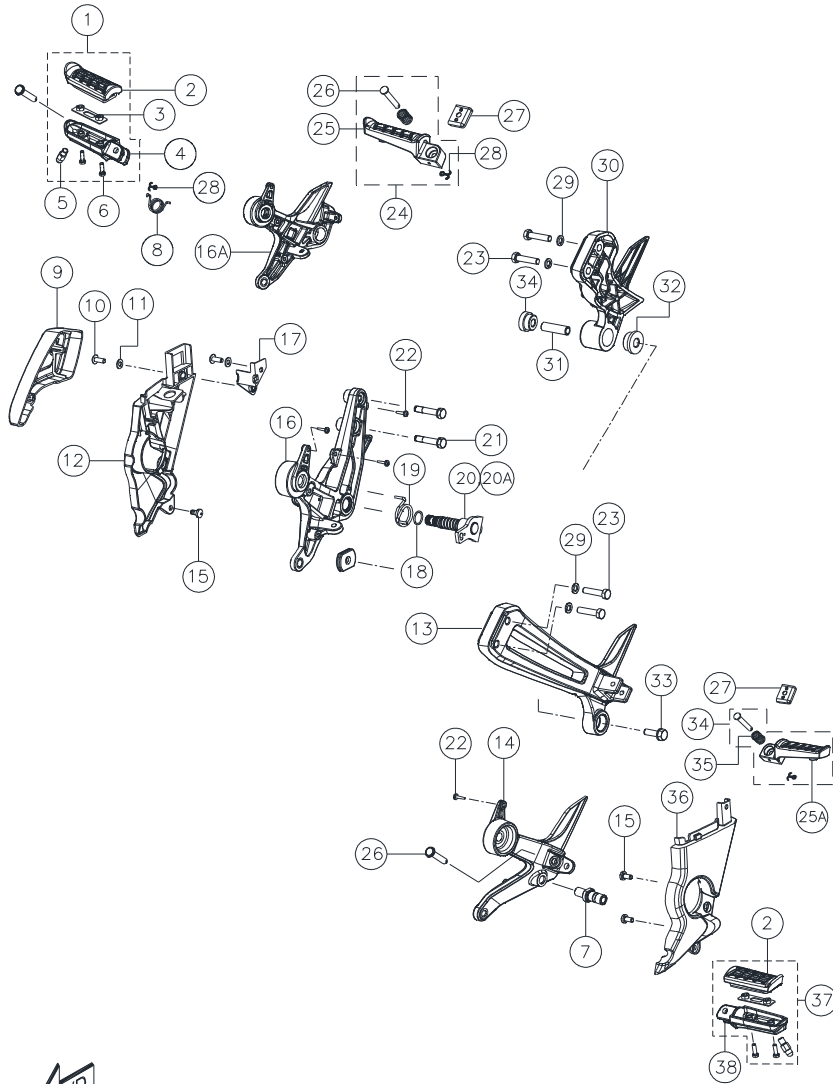
RIDER & PILLION FOOTREST LH,RH ASSY

RIDER & PILLION FOOREST LH,RH ASSY.

FIG.NO.14A

REF NO.	PART NO.	DESCRIPTION	NO. OFF					REMARKS	
			APACHE 150		RTR REF.	RTR EFI	RTR REF.		
			DR BR	DISC FR BR	REAR DISC	NEW			
1	N9123920	RIDER FOOTPEG ASSY. RH						1	
2	N9124050	SLEEVE RIDER FOOTREST						2	
3	N9123990	CLAMP COMP.RIDER FOOTREST						2	
4	N9124040	RIDER FOOTPEG RH						1	
5	N9124000	STUD RIDER FOOTREST						2	
6	420510700	HEX SCREW M5x16						2	
7	N9125990	PIN GEARSHIFT LEVER						1	
8	N9124020	TORSION SPRING FOOTPEG						2	
9	N9126160	COVER MASTER CYLINDER						1	
10	0332275	SCREW CRPH M6x16						1	
11	0335578	PUNCHED WASHER 6.5x13x1						1	
12	N9223080	COVER FRAME BOTTOM RH						1	
13	N9222840	PILLION FOOTREST LH						1	
14	N9125920	RIDER FOOTREST LH MTG						1	
15	P3200010	CRPH SCREW M6x12						4	
16	N9126060	RIDER FOOTREST DRUM RH						1	DRUM DISC
16A	N9125980	RIDER FOOTREST DISC RH						1	DRUM DISC
17	N9223950	BRKT COVER FRAME HEAD						1	
18	N9200300	O RING PEDAL BRAKE						1	
19	N9111870	BRAKE RETURN SPRING						1	
20	N9111980	SHAFT COMP BRAKE PEDAL						1	DRUM DISC
20A	N9111840	SHAFT COMP BRAKE PEDAL						1	DRUM DISC
21	420955700	HEX SCREW M8x40						1	
22	K200320	CRR PAN HD TAP SCR 4.2x16						4	
23	S1101250	HEX BOLT M8x35						4	
24	---	PILLION FOOT PEG ASSY. RH						1	
25	N9123940	PILLION FOOT PEG RH						1	
25A	N9123950	PILLION FOOT PEG LH						1	
26	N9121790	PIN PILLION FOOTREST						4	
27	N9123970	GUIDE PILLION FOOT PEG						2	
28	0330048	SPLIT PIN 2x20						4	

FIG.No.14A



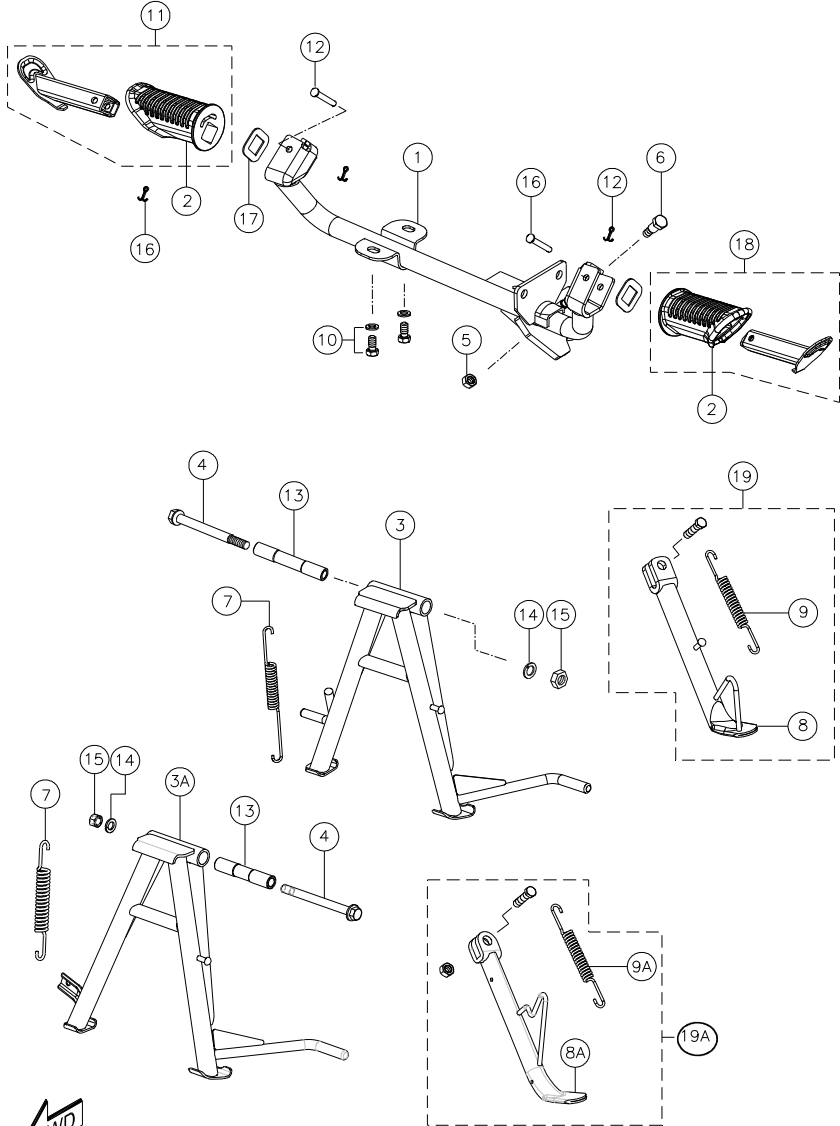
RIDER & PILLION FOOTREST LH,RH ASSY

RIDER & PILLION FOOREST LH,RH ASSY.

FIG.NO.14A

REF NO.	PART NO.	DESCRIPTION	NO. OFF					REMARKS	
			APACHE 150		RTR	RTR	RTR		
			DR BR	DISC FR BR	REF.	EFI	REF.		
29	0330318	WAVE SPRING WASHER M8						4	
30	N9222850	PILLION FOOTREST RH						1	
31	N9125590	SPACER						1	
32	N9124890	CUSHION EXHAUST MTG SMALL						1	
33	M1200480	HEX FLANGE BOLT M8x25						1	
34	N9125580	CUSHION EXHAUST MTG BIG						1	
35	N9123980	SPRING FOOTREST						2	
36	N9223070	COVER FRAME BOTTOM LH						1	
37	N9123930	RIDER FOOTREST ASSY. LH						1	
38	N9124030	RIDER FOOTPEG . LH						1	

FIG.No 15



CENTER STAND &amp; FOOTREST ASSEMBLY

## CENTER STAND &amp; FOOTREST ASSY.

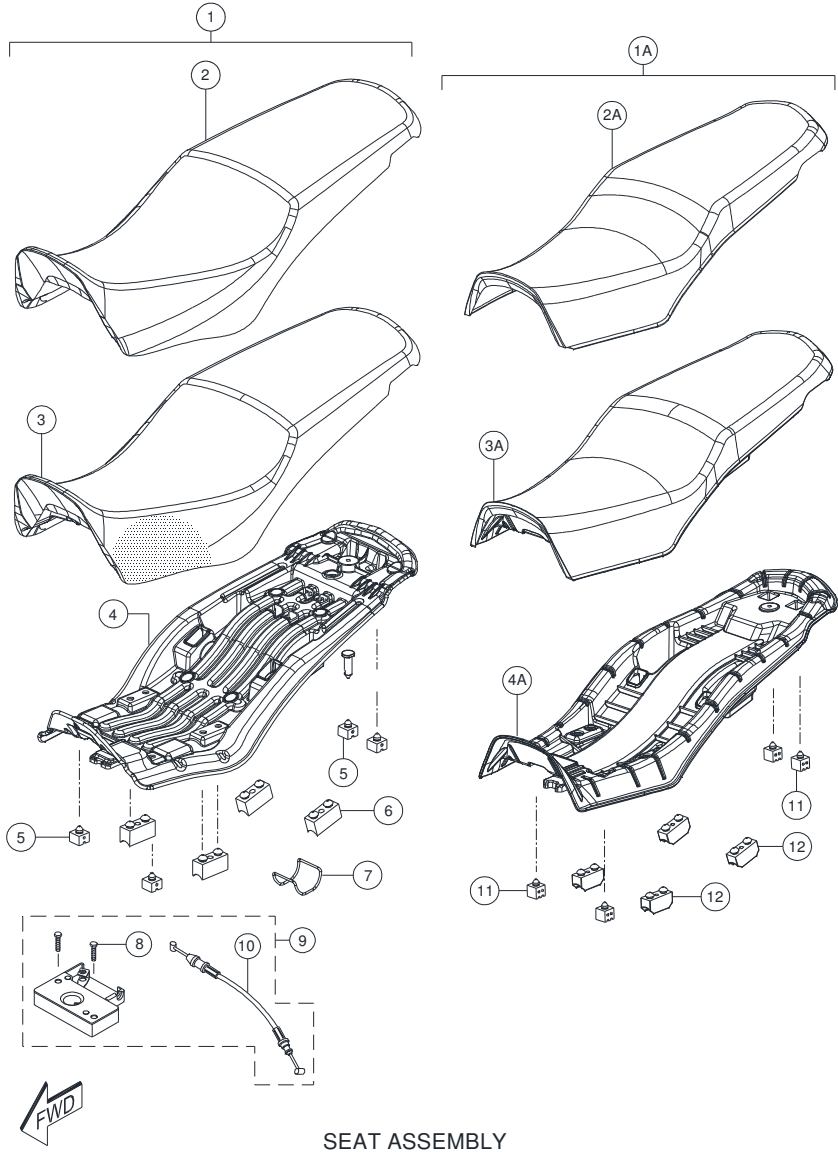
FIG.NO. 15

REF NO.	PART NO.	DESCRIPTION	NO. OFF					REMARKS	
			APACHE 150		RTR	RTR REF.	RTR EFI		RTR REF.
			DR BR	DISC FR BR	REAR	DISC	NEW		
1	N9123590	BAR COMP. FOOTREST FRONT	1	1					
2	N9123670	SLEEVE FOOTREST RIDER	2	2					
3	N9123140	CENTER STAND COMP.	1	1					
3A	N9124730	CENTER STAND COMP.			1	1	1	1	
4	N8200050	BOLT CENTER STAND	1	1	1	1	1	1	
5	N3200160	HEX NUT M8	1	1					
6	N9200130	SPL. HEX BOLT M8x30	1	1					
6A	N9200210	BOLT			1	1	1	1	
7	N3120860	SPRING CENTER STAND	1	1	1	1	1	1	
8	N9123500	PROP STAND COMP.	1	1					
8A	N9124640	PROP STAND COMP.			1	1	1	1	
9	M7121530	SPRING PROP STAND	1	1					
9A	N5121610	SPRING PROP STAND			1	1	1	1	
10	0331058	HEX BOLT+WAVE SPRING WASHER M8	2	2					
11	N9123720	HOLDER ASSY. RH RIDER FOOTREST	1	1					
12	M7121420	PIN PILLION FOOTREST	2	2					
13	N3121540	SPACER CENTER STAND	1	1	1	1	1	1	
14	0330328	WAVE SPRING WASHER	1	1	1	1	1	1	
15	0334038	HEX NUT M10x1.25	1	1	1	1	1	1	
16	0330048	SPLIT PIN 2x20	1	1					
17	N9122650	WASHER PILLION FOOTREST	2	2					
18	N9123710	HOLDER ASSY. LH RIDER FOOTREST	1	1					
19	M7321620	PROP STAND KIT	1	1					**
19A	N9321940	PROP STAND KIT			1	1	1	1	**

\*\*-. REF. KIT &amp; KIT CONTENTS



FIG.No. 16

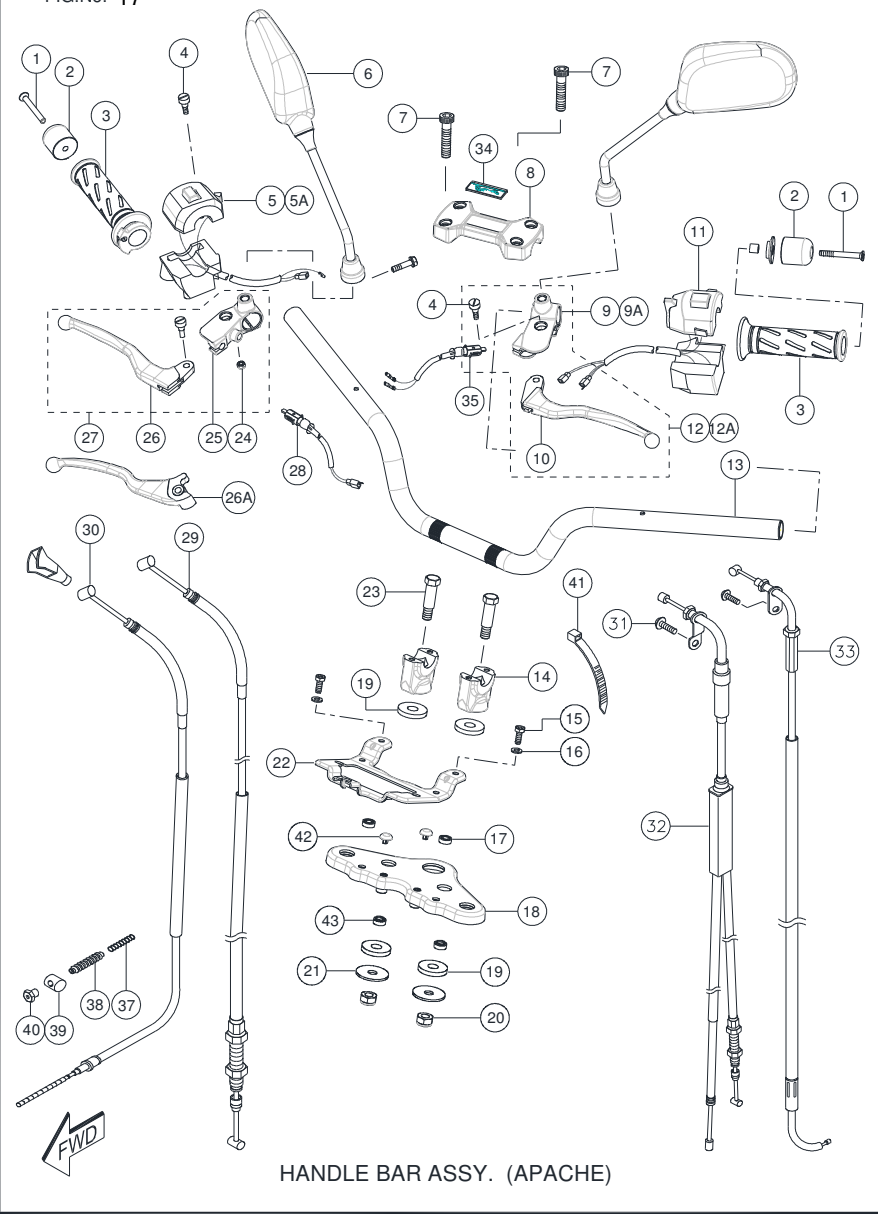


**SEAT ASSEMBLY**

FIG.NO. 16

REF NO.	PART NO.	DESCRIPTION	NO. OFF					REMARKS	
			APACHE 150		RTR	RTR REF.	RTR EFI		RTR REF.
			DR BR	DISC FR BR	REAR	DISC	NEW		
1	N9130060	SEAT ASSEMBLY	1	1	1	1	1		
1A	N9130150	SEAT ASSEMBLY						1	
2	N9130090	COVER COMP SEAT	1	1	1	1	1		
2A	N9130180	COVER COMP SEAT						1	
3	N9130080	SEAT FOAM	1	1	1	1	1		
3A	N9130170	SEAT FOAM						1	
4	N9130070	SEAT BASE	1	1	1	1	1		
4A	N9130160	SEAT BASE						1	
5	M1130240	CUSHION SEAT	4	4	4	4	4	4	
6	N8130130	CUSHION, SEAT	4	4	4	4	4		
7	K210800	O RING FIRST AID	1	1	1	1	1		
8	K3122240	HEX BOLT M5x65	2	2	2	2	2	2	
9	N9123220	LATCH ASSY. SEAT	1	1	1	1	1	1	
10	N9170090	CABLE COMP. SEAT	1	1	1	1	1	1	
11	N9130120	CUSHION SEAT						4	
12	N8130240	CHSHION SEAT						4	

FIG.No.: 17



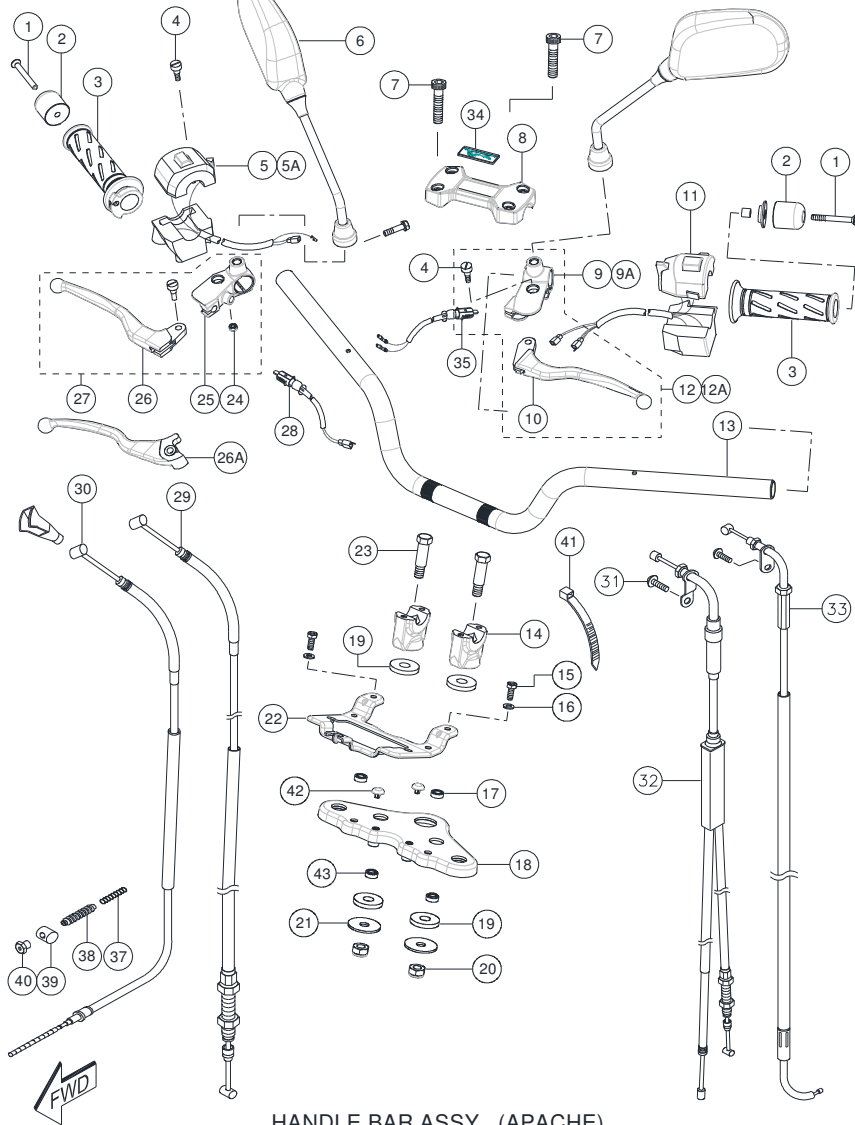
HANDLE BAR & CABLE ASSY. (APACHE)

FIG.NO. 17

REF NO.	PART NO.		NO. OFF					REMARKS	
			APACHE 150		RTR	RTR REF.	RTR EFI		RTR REF.
			DR BR	DISC FR BR		REAR DISC	NEW		
1	M1201060	REC CSK HEAD SCREW M6x50	2	2					
2	M1150450	DAMPER HANDLE BAR	2	2					
3	M1150140	GRIP COMP. THROTTLE	1	1					
4	N3150280	STUD LEVER HANDLE	2	2					
5	N9160950	SWITCH ASSY. HANDLE RH KS	1						
5A	N9160500	SWITCH ASSY. HANDLE RH ES		1*					
5B	N9161150	SWITCH ASSY. HANDLE RH ES		1					
6	N5150080	MIRROR ASSY. RH	1	1					
7	N9200150	HEX FLANGE BOLT M6x30	4	4					
8	N9220350	COVER HANDLE BAR	1	1					
9	N5150130	BRKT LEVER LH KS	1						
9A	N9150450	BRKT LEVER LH ES		1					
10	N9150520	LEVER CLUTCH	1	1					
11	N9160760	SWITCH ASSY. HANDLE LH	1	1					
12	N9150670	LEVER ASSY. CLUTCH LH KS	1						
12A	N9150440	LEVER ASSY. CLUTCH LH ES		1					
13	N9150360	HANDLE BAR COMP.	1	1					
14	N9150330	HANDLE HOLDER LOWER	2	2					
15	N5200340	HEX SCREW M6x16	2	2					
16	0330408	WAVE SPRING WASHER M6	2	2					
17	N9220750	CUSHION	2						
18	N9100310	UPPER BRACKET COMP.	1	1					
19	N3150230	CUSHION UPPER	2	2					
20	N3200040	NYLON NUT M10x1.25	2	2					
21	9200160	3D WASHER	2	2					
22	----	SPEEDO MTG BRKT	1	1					
23	N9150350	BOLT HANDLE BAR	2	2					

\* - APPLICABLE FOR THE VEHICLES PRODUCED BEFORE NOV 2006

FIG.No. 17



HANDLE BAR & CABLE ASSY. (APACHE)

FIG.NO. 17

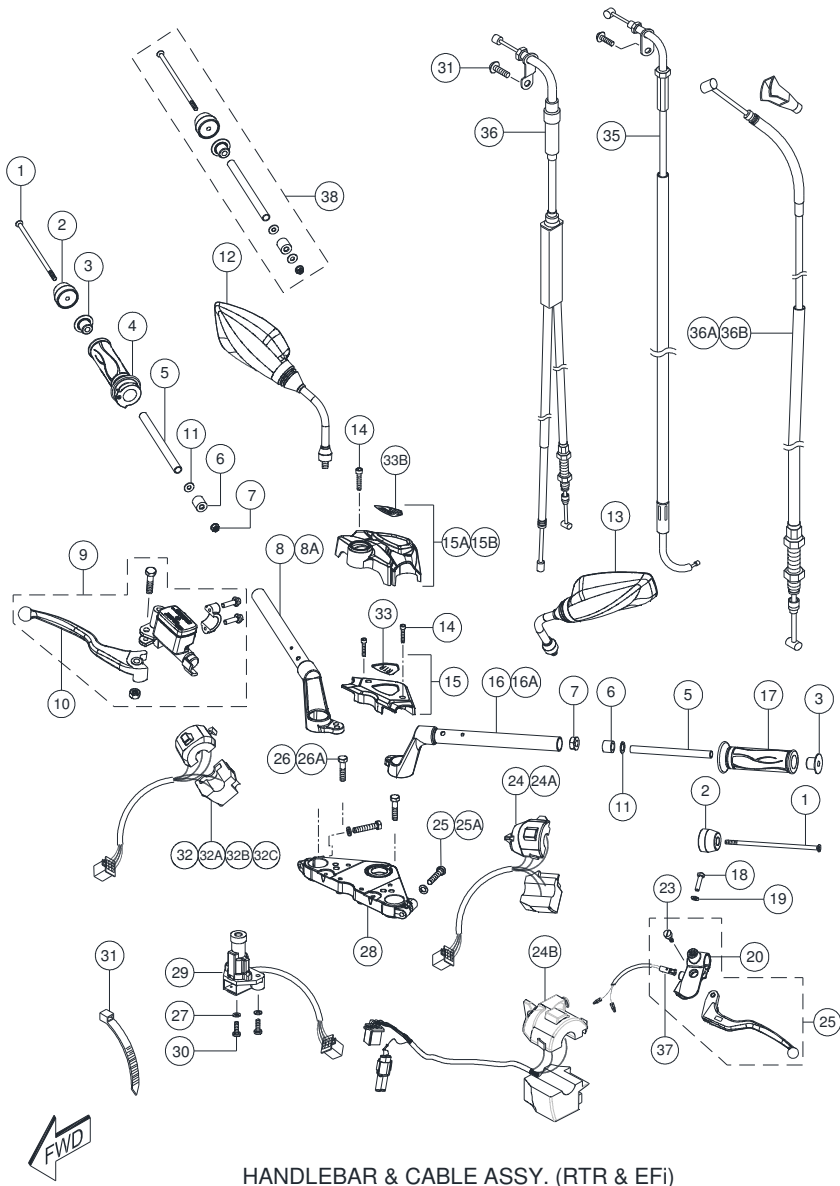
REF NO.	PART NO.		NO. OFF					REMARKS	
			APACHE 150		RTR	RTR REF.	RTR EFI		RTR REF.
			DR BR	DISC FR BR		REAR DISC	NEW		
24	415021000	HEX NUT	2	2					
25	N5150160	BRACKET LEVER RH	1						
26	N5150150	LEVER BRAKE RH DRUM	1						
26A	N9321500	KIT LEVER BRAKE RH DISC		1					**
27	N5150170	LEVER BRAKE ASSY. RH	1						
28	N3320510	SWITCH ASSY.FRONT BRAKE DRU	1						
28A	N9321520	KIT SWITCH ASSY. FRONT BRAKE DISC		1					
29	N9170100	CABLE ASSY. CLUTCH	1*	1*					
29A	N9170210	CABLE ASSY CLUTCH	1	1					
29B	M7321710	CABLE ASSY. CLUTCH	1#	1#					
30	N9170110	CABLE ASSY. FRONT BRAKE	1						
31	8200120	CRR PAN HEAD SCREW M5x12	1	1					
32	N9170130	CABLE THROTTLE	1	1					
33	M1170030	CABLE ASSY. CHOKE	1	1					
34	N9160910	CLUTCH SWITCH ASSY		1					
35	N9212300	LOGO COVER HANDLE BAR	1	1					
36	N5150070	MIRROR ASSY. LH	1	1					
37	N2110690	SPRING FRONT BRAKE CABLE	1						
38	N2110680	DUST SEAL FRONT BRAKE CABLE	1						
39	S1111940	PIN FRONT CABLE LEVER	1						
40	0334268	NUT FRONT BRAKE CABLE ADJ.	1						
41	N3160310	CLAMP SWITCH WIARING	1	2					
42	N3100450	CAP CENTER LOCK MTG		2					
43	N3150220	CUSHION BOTTOM	2	2					

\* - APPLICABLE FOR THE VEHICLES PRODUCED BEFORE FEB 2007

# - REF. SIB /M.CYCLE /03/07-08 DATED 10.07.07

\*\* - REF. KIT & KIT CONTENTS

FIG.No.17A



HANDLEBAR & CABLE ASSY. (RTR & EFI)

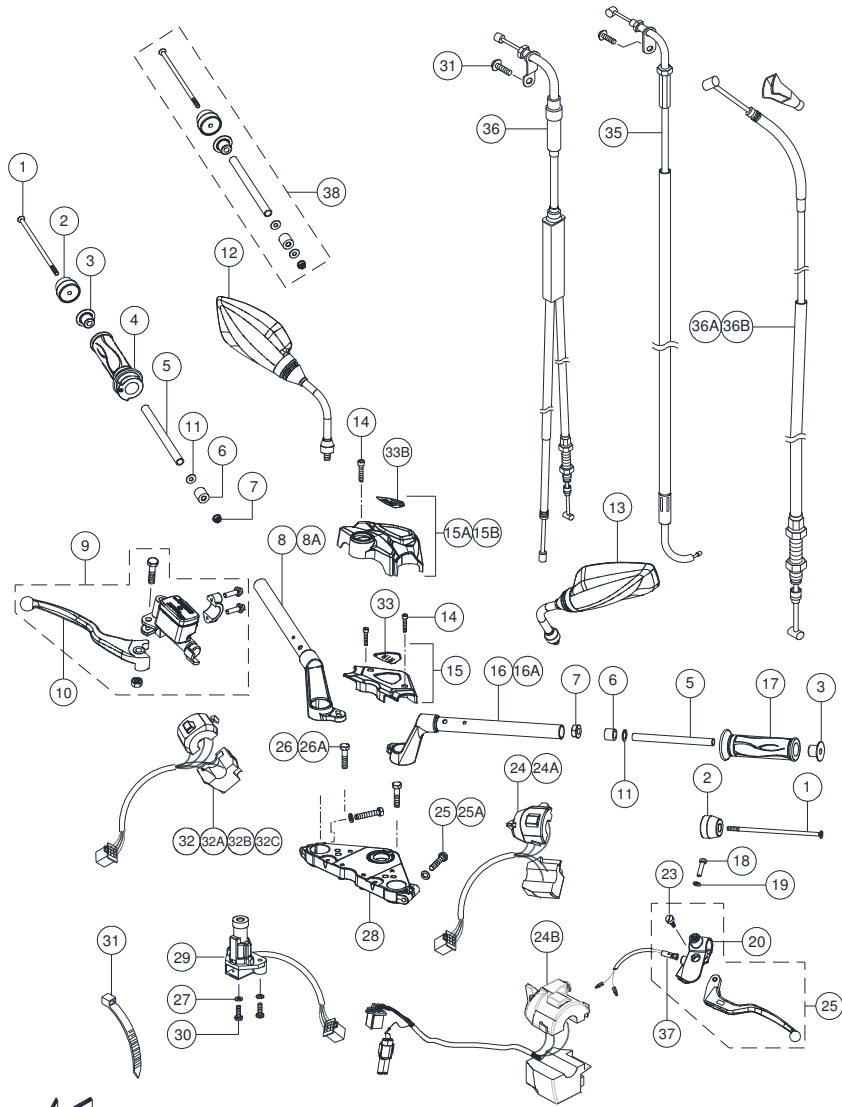
**HANDLE BAR & CABLE ASSY. (APACHE RTR)**

FIG.NO.17A

REF NO.	PART NO.	DESCRIPTION	NO. OFF					REMARKS	
			APACHE 150		RTR	RTR REF.	RTR EFI		RTR REF.
			DR BR	DISC FR BR	REAR	DISC	NEW		
1	N9200350	SCREW			2	2	2	2	
2	N9150770	DAMPER WEIGHT HANDLE BAR			2	2	2	2	
3	N9151200	SAPCER HANDLE BAR			2	2	2	2	
4	N9221170	GRIP COMP. THROTTLE			1	1	1	1	
5	N9151190	TUBE HANDLE BAR			2	2	2	2	
6	N9151210	BUSH HANDLE BAR			2	2	2	2	
7	M1200900	HEX FLANGE NUT M6x1			2	2	2	2	
8	N9150820	HANDLE BAR COMP. RH			1	1	1		
8A	N9151390	HANDLE BAR COMP. RH							1
9	N9111403C	CYLINDER ASSY. FRONT MASTER			1	1	1	1	
10	N9322020	KIT LEVER RH			1	1	1	1	**
11	0335608	WASHER 6.5x16x1.2			2	2	2	2	
12	N9221460	MIRROR ASSY. RH			1	1	1	1	
13	N9221450	MIRROR ASSY. LH			1	1	1	1	
14	N9200150	HEX SOC. HEAD CAP SCR M6x30			2	2	2	2	
15	N9151250	COVER ASSY. UPPER BRKT			1	1	1		
15A	N9151660	COVER HANDLE BAR COMP.				1			
15B	N9151750	COVER HANDLE BAR COMP.							1
16	N9150790	HANDLE BAR COMP. LH			1	1	1		
16A	N9151400	HANDLE BAR COMP. LH							1
17	N9221070	GRIP COMP. LH			1	1	1	1	
18	7200120	HEX SCREW M6x25			1	1	1	1	
19	---	SPRING WASHER			1	1	1	1	
20	N9150450	BRKT LEVER LH			1	1	1	1	
21	N91505203C	LEVER CLUTCH			1	1	1	1	
22	N91504403C	LEVER ASSY. CLUTCH			1	1	1	1	
23	N3150280	STUD LEVER HANDLE			1	1	1	1	
24	N9161200	SWITCH ASSY. HANDLE LH			1	1			
24A	N9161350	SWITCH ASSY. HANDLE LH					1		
24B	N9161930	SWITCH ASSY. HANDLE LH							1
25	420955700	HEX SCREW M8x40			2				
25A	M7200060	HEX SOC HD CAP SCREW M8x50				2	2	2	

\*\* - REF. KIT & KIT CONTENTS

FIG.No.17A



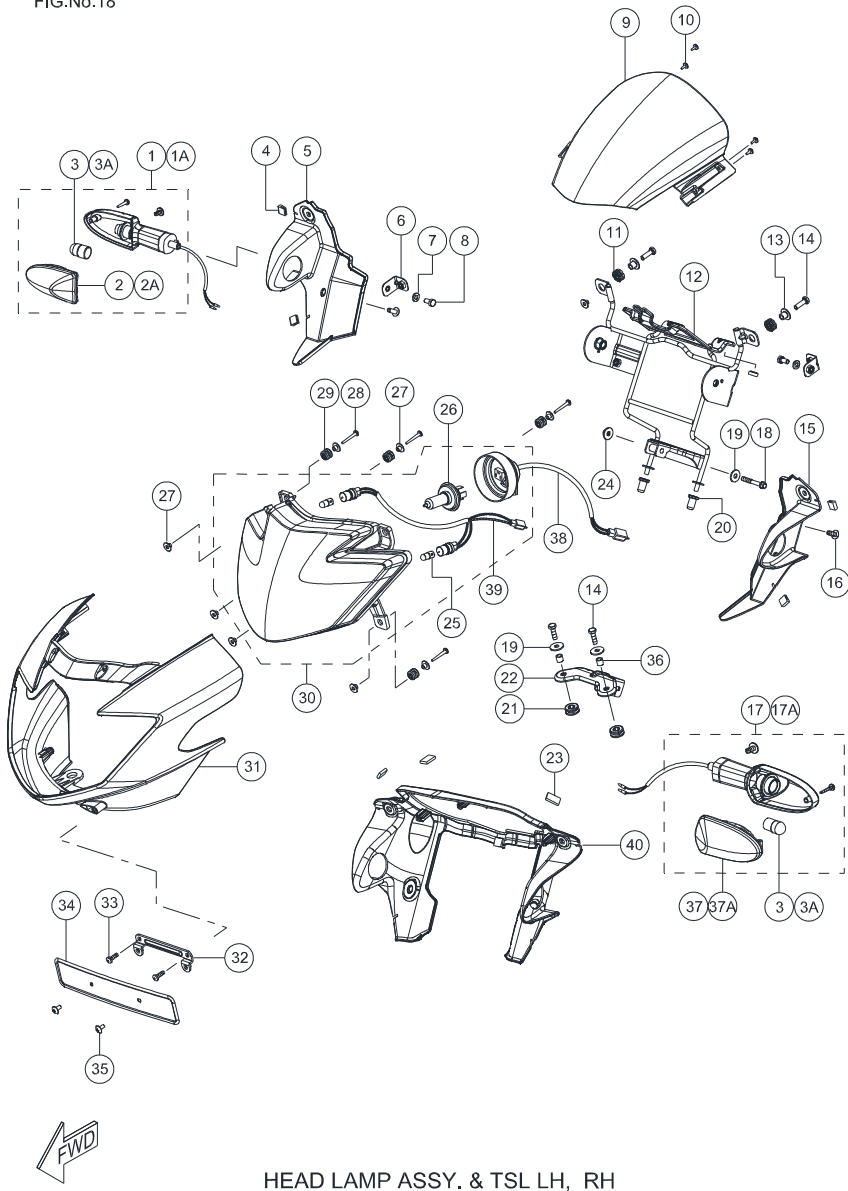
HANDLEBAR &amp; CABLE ASSY. (RTR &amp; EFI)

**HANDLE BAR & CABLE ASSY. (APACHE RTR)**

FIG.NO.17A

REF NO.	PART NO.	DESCRIPTION	NO. OFF					REMARKS	
			APACHE 150		RTR	RTR REF.	RTR EFI		RTR REF.
			DR BR	DISC FR BR		REAR DISC	NEW		
26	N5200530	HEX BOLT M8x35			2				
26A	M7110280	HEX FLANGE BOLT M8x30				2	2	2	
27	0330408	WAVE SPRING WASHER M6			2	2	2	2	
28	N9101000	UPPER BRACKET			1	1	1	1	
29	N9160480	STEERING / IGNITION LOCK			1	1	1	1	
30	420518000	CRR PAN HEAD SCREW M6x20			2	2	2	2	
31	N3160310	CLAMP SWITCH WIARING			2	2	2	2	
32	N9161150	SWITCH ASSY. HANDLE RH			1				
32A	M9160140	SWITCH ASSY. HANDLE RH					1		
32B	N9161940	SWITCH ASSY. HANDLE RH				1		1	
32C	N9162850	SWITCH ASSY. HANDLE RH						1	BSIV
33	N9213920	EMBLEM COVER HANDLE BAR			1	1		1	
33A	N9214760	EMBLEM COVER HANDLE BAR					1		
34	N9170250	CLUTCH CABLE ASSY.			1	1	1	1	
35	N9170240	CHOKE CABLE ASSY.			1	1	1	1	
36	N9170230	THROTTLE CABLE ASSY.			1	1		1	
36A	N9170200	THROTTLE CABLE ASSY.					1		
36B	N9170340	THROTTLE CABLE ASSY.					1		
37	N9160910	CLUTCH SWITCH ASSY.			1	1	1	1	
38	N9151220	DAMPER ASSY. HANDLE BAR			2	2	2	2	

FIG.No.18



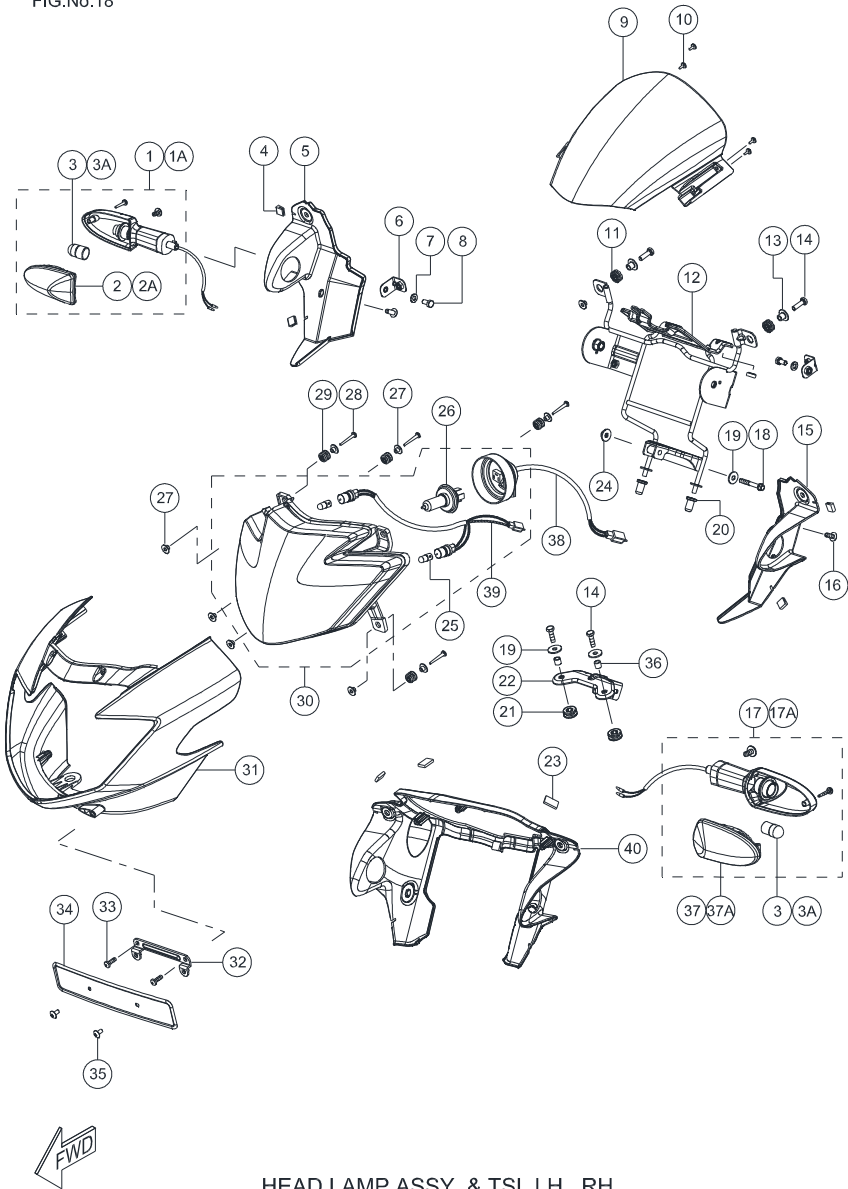
HEAD LAMP ASSY. & TSL LH, RH

HEAD LAMP ASSY. & TSL LH,RH

FIG.NO. 18

REF NO.	PART NO.	DESCRIPTION	NO. OFF					REMARKS	
			APACHE 150		RTR	RTR REF.	RTR EFI		RTR REF.
			DR BR	DISC FR BR	REAR DISC	NEW			
1	N9160970	TURN SIGNAL LAMP ASSY FRONT F	1	1					
1A	N9161370	TURN SIGNAL LAMP ASSY FR RH			1	1	1		
2	N9321270	LENS AND REFLECTOR COMP. FRO	1	1					
2A	N9321830	LENS AND REFLECTOR COMP. FR/RL			1	1	1		
3	N3160210	BULB 12V 10W	2	2					
3A	K3160450	AMBER BULB			2	2	2		
4	N3120600	GROMMET COVER	4	4	4	4	4		
5	N9220460	HOUSING HEADLAMP REAR RH	1	1					
6	M7121680	BRKT, COMP. HSG HD LAMP	1	1	1	1	1		
7	420001700	PUNCHED WASHER A6.6	1	1	1	1	1		
8	0331618	HEX SCREW M6 x 12	2	2	2	2	2		
9	N9220240	VISOR HOUSING HEAD LAMP	1	1	1	1	1		
10	K5200010	CRR PAN HD TAP SCR ST4.2x9.5	6	6	6	6	6		
11	N8220180	GROMMET TAIL COVER	2	2	2	2	2		
12	N9323840	BRKT COMP HEADLAMP HSG KIT	1	1	1	1	1		
13	N8122610	SPACER HEAD LAMP	2	2	2	2	2		
14	M1200610	HEX SCREW M6X 20	4	4	4	4	4		
15	N9220320	HOUSING HEADLAMP REAR LH	1	1					
16	0332275	CRR PAN HD SCREW M6x16	2	2	2	2	2		
17	N9160960	TURN SIGNAL LAMP ASSY FR LH	1	1					
17A	N9161360	TURN SIGNAL LAMP ASSY FR LH			1	1	1		
18	M1200500	HEX FLANGE BOLT M6 X 40	1	1	1	1	1		
19	0335618	PUNCHED WASHER 6.4X 18X 1.5	4	4	4	4	4		
20	N8220500	PLUG, BRKT HSG HEADLAMP	2	2	2	2	2		
21	N3120130	GROMMET, HEAD LAMP	2	2	2	2	2		
22	N9220370	BRKT COMP. HSG HL LOWER	1	1	1	1	1		
23	R1220770	CUSHION HEAD LAMP REAR			3	3	3		
24	P1200060	HEXAGONAL NUT M6	1	1	1	1	1		

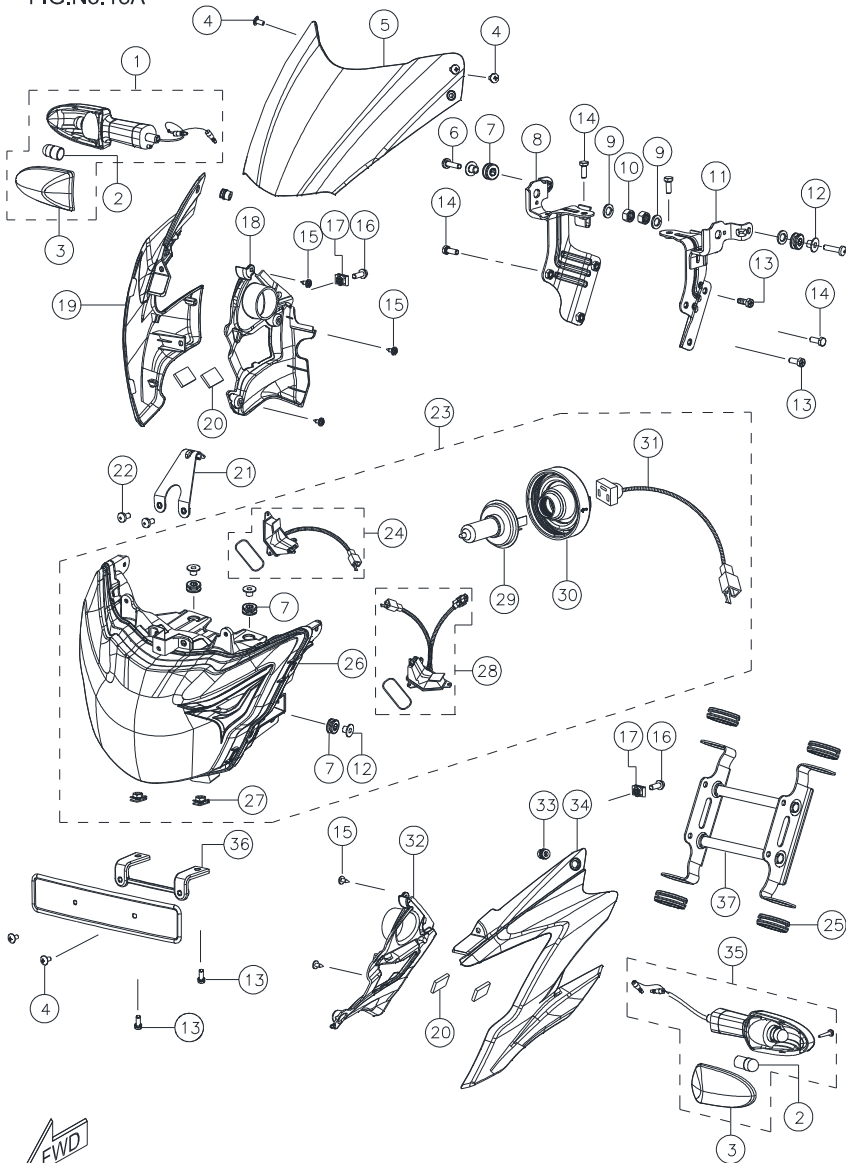




HEAD LAMP ASSY. &amp; TSL LH, RH

REF NO.	PART NO.	DESCRIPTION	NO. OFF					REMARKS	
			APACHE 150		RTR	RTR REF.	RTR EFI		RTR REF.
			DR BR	DISC FR BR	REAR	DISC	NEW		
25	K3160520	BULB CITY LAMP	2	2	2	2	2		
26	M7160190	BULB HEAD LAMP	1	1	1	1	1		
27	S1160200	SPACER HEAD LAMP	4	4	4	4	4		
28	K3200900	CRR PAN HEAD TAP SCR ST 4.2 X 3	4	4	4	4	4		
29	S1160190	CUSHION HEAD LAMP	4	4	4	4	4		
30	N9160390	HEADLAMP ASSY.	1	1	1	1	1		
31	---	HOUSING HEAD LAMP FRONT	1	1	1	1	1	REF.COLOUR MATRIX	
32	N8220510	BRKT LICENSE PLATE	1	1	1	1	1		
33	0331718	CRR PAN HEAD SCREW M5x16	2	2	2	2	2		
34	N3211120	LICENSE PLATE FRONT	1	1	1	1	1		
35	8200120	CRR FLANGED PAN HD SCREW M5	2	2	2	2	2		
36	N3120140	BUSH, TAIL COVER	2	2	2	2	2		
37	N9321280	LENS AND REFLECTOR COMP. FR.	1	1					
37A	N9321820	LENS AND REFLECTOR COMP. FR/RR			1	1	1		
38	N9160890	CORD SET HEADLAMP	1	1	1	1	1		
39	N9160880	CORD SET POSITION LAMP	1	1	1	1	1		
40	N9221490	HOUSING HEAD LAMP REAR			1	1	1		

FIG.No.18A



HEAD LAMP ASSEMBLY (ABS REF.)

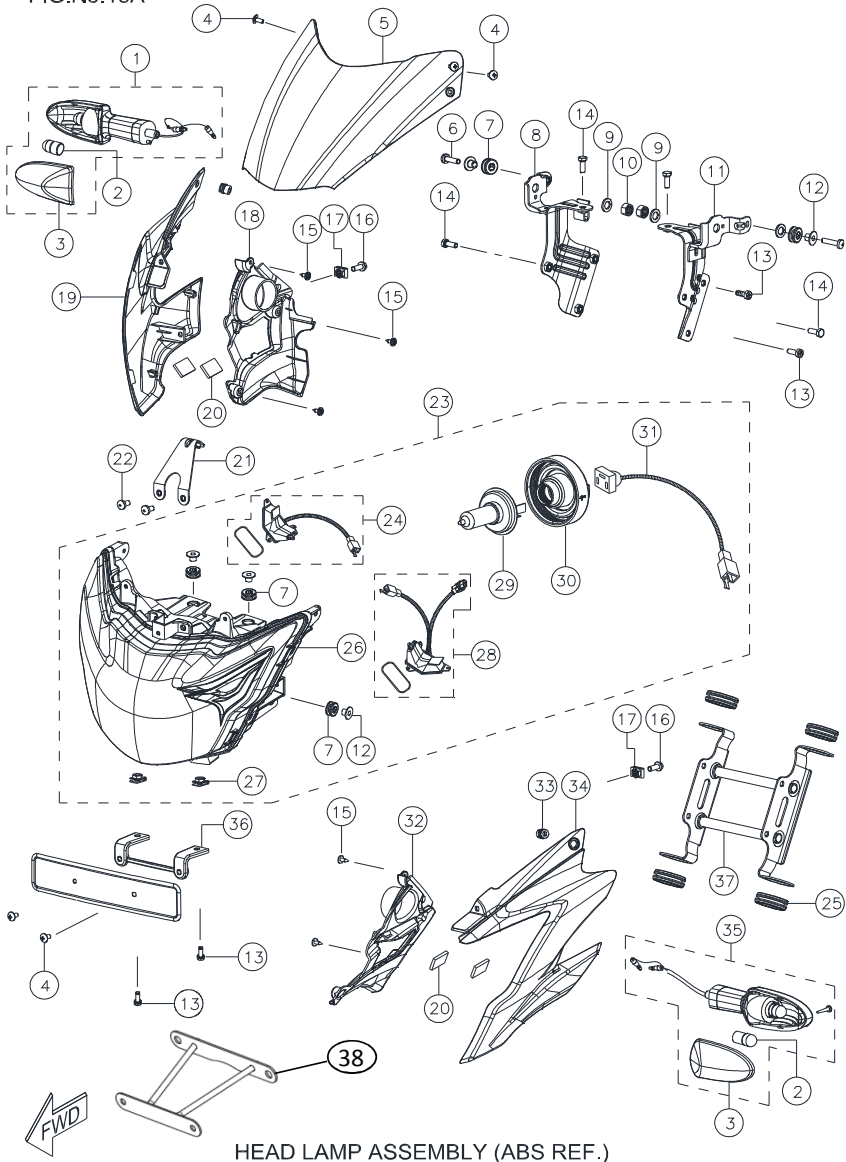
**HEAD LAMP ASSY. WITH LED & TSL LH,RH**

FIG.NO. 18A

REF NO.	PART NO.	DESCRIPTION	NO. OFF					REMARKS	
			APACHE 150	RTR	RTR REF.	RTR EFI	RTR REF.		
			DR BR	DISC FR BR	REAR DISC	NEW			
1	N9161370	TURN SIGNAL LAMP FRONT RH						1	
2	N9321830	LENS&REFLECTOR COMP. FR/RL						2	
3	K3160450	AMBER BULB						2	
4	N8200080	CRR PAN HEAD SCREW M5x10						4	
5	N9224840	VISOR HOUSING HEAD LAMP ASSY.						1	
6	M1200820	CRR PAN HEAD SCREW M6 x 25						2	
7	N5120820	GROMMET, HEAD LAMP						6	
8	N9223480	BRKT HEADLAMP COMP. LH						1	
9	0330328	WAVE SPRING WASHER M10						2	
10	0334038	HEX NUT M10						2	
11	N9223490	BRKT HEADLAMP COMP. RH						1	
12	N8122610	CUP WASHER						6	
13	0332275	HEX SCREW M6x16						6	
14	420462700	HEX SCREW M6x20						4	
15	N3200340	CRR FL. PAN HD TAP SCREW 4.2x13						6	
16	N3200220	HEX FL. BOLT M6x1.25x16						2	
17	S1200700	RETAINER CLIP COMP. PANEL						2	
18	N9223360	HOUSING HEADLAMP FR INNER LH						1	
19	N9222809	HOUSING HEADLAMPFRONT LH						1	
20	N9200460	RECLOSABLE FASTENER						4	
21	N9223290	BRKT HEADLAMP COMP.						1	
22	P200270	CRPH SCREW M6x12						2	
23	N9222820	HEADLAMP ASSY.						1	
24	N9223540	COVER ASSY. RH 0.5W , 0.1W LED						1	
25	7100380	PACKING						4	
26	N9324460	HEADLAMP (WITHOUT BULB)						1	



FIG.No.18A



HEAD LAMP ASSEMBLY (ABS REF.)

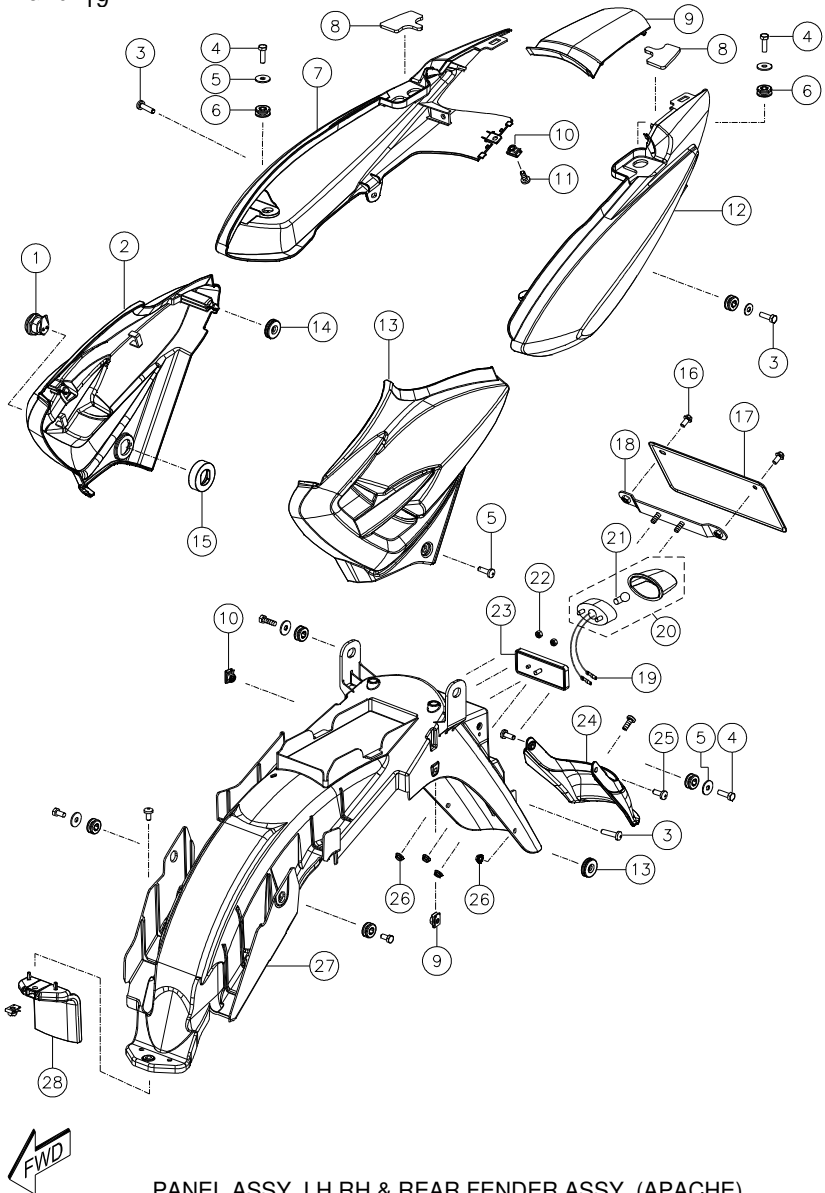


HEAD LAMP ASSY. WITH LED & TSL LH,RH

FIG.NO. 18A

REF NO.	PART NO.	DESCRIPTION	NO. OFF					REMARKS	
			APACHE 150	RTR	RTR REF.	RTR EFI	RTR REF.		
			DR BR	DISC FR BR	REAR DISC	NEW			
27	----	RETAINER CLIP						2	
28	N9223530	COVER ASSY. LH 0.5W, 0.1W LED						1	
29	N3163510	BULB HEAD LAMP						1	BSIV
30	N9324450	DUST CAP						1	
31	N9162100	CARD SET HEADLAMP						1	
32	N9222839	HOUSING HEDLAMP FRONT LH						1	
33	N3120990	GROMMET COMP. VISOR MTG						2	
34	N9223350	HOUSING HEADLAMP FR. INNER LH						1	
35	N9161360	TURN SIGNAL LAMP FRONT LH						1	
36	N9223370	BRKT LICENSE PLATE						1	
37	N9222980	BRKT HOUSING HEAD LAMP						1	
38	N9226000	BRKT LICENSE PLATE						1	

FIG.No.: 19



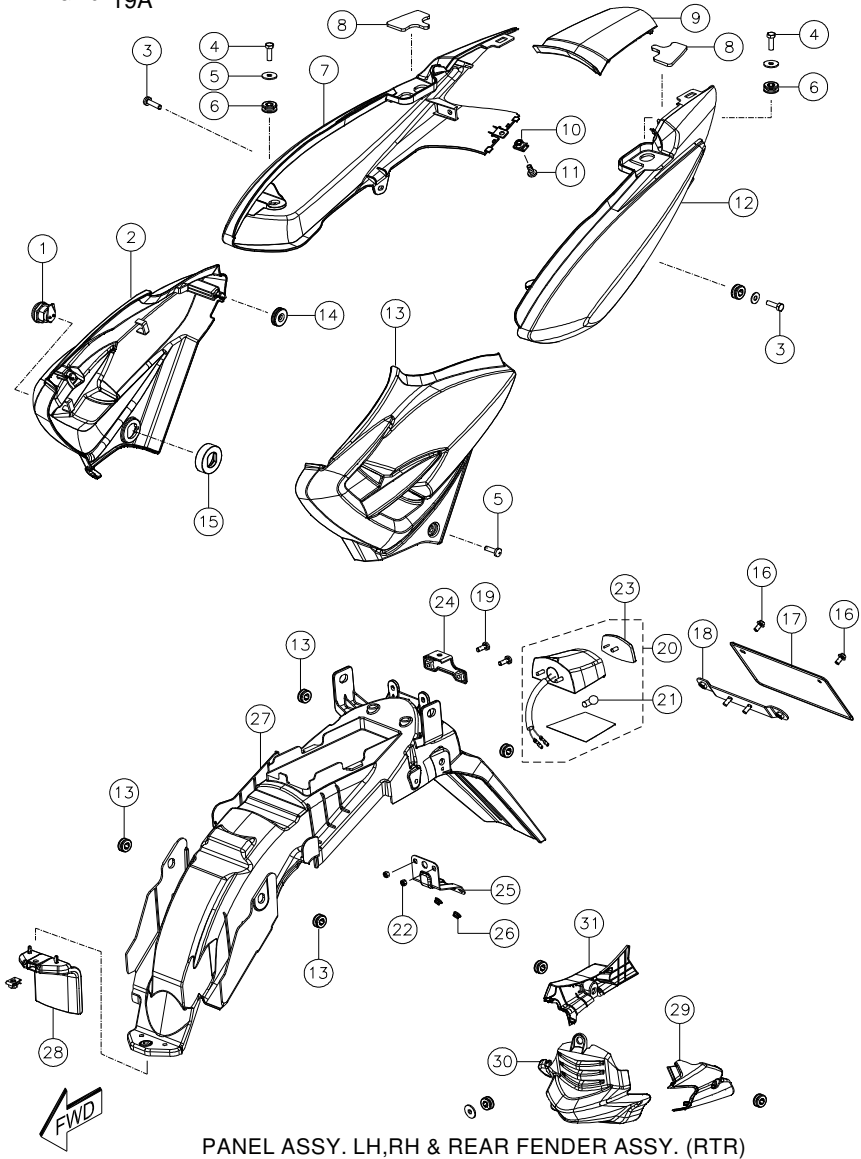
PANEL ASSY. LH,RH & REAR FENDER ASSY. (APACHE)

**PANEL LH,RH & REAR FENDER ASSY. (APACHE)**

FIG.NO. 19

REF NO.	PART NO.	DESCRIPTION	NO. OFF					REMARKS	
			APACHE 150		RTR	RTR REF.	RTR EFI		RTR REF.
			DR BR	DISC FR BR	REAR DISC	NEW			
1	N9212050	LOCK ASSY. COVER FRAME	1	1					
2	----	COVER FRAME RH	1	1				REF.COLOUR MATRIX	
3	M1200820	CRR PAN HEAD SCREW M6X25	2	2					
4	420462700	HEX SCREW	4	4					
5	0335618	PUNCHED WASHER 6.5x16x1.2	4	4					
6	N3120130	GROMMET	2	2					
7	----	COVER SEAT TAIL RH	1	1				REF.COLOUR MATRIX	
8	N9220560	CUSHION PILLION HANDLE	2	2					
9	----	TAIL COVER CENTER	1	1				REF.COLOUR MATRIX	
10	K3200840	RETAINER CLIP COMP. PANEL	4	4					
11	M1201050	CRR PAN HEAD SCREW	2	2					
12	----	COVER SEAT TAIL LH	1	1				REF.COLOUR MATRIX	
13	----	COVER FRAME LH	1	1				REF.COLOUR MATRIX	
14	N3130100	CUSHION COVER FRAME	2	2					
15	N9220530	CUSHION LOCK COVER FRAME	1	1					
16	C8200040	HEX FLANGE BOLT M6x1.0x12	2	2					
17	N8121710	LICENSE PLATE REAR	1	1					
18	N8220300	BRKT COMP. LICENCE PLATE RR	1	1					
19	----	BULB HOLDER ILLUMINATOR	1	1					
20	N9220490	NUMBER PLATE ILLUMINATOR	1	1					
21	5227360	BULB 12V 3.4W	1	1					
22	420302700	HEX NUT M5	2	2					
23	M7160120	REFLEX REFLECTOR	1	1					
24	N9220570	MUD FLAP REAR	1	1					
25	P1200040	CRR PAN HEAD SCREW M6x16	3	3					
26	0334146	HEX. FLANGE NUT M6	5	5					
27	N9220170	FENDER REAR	1	1					
28	N9220480	BODY FRONT FENDER REAR	1	1					

FIG.No. 19A

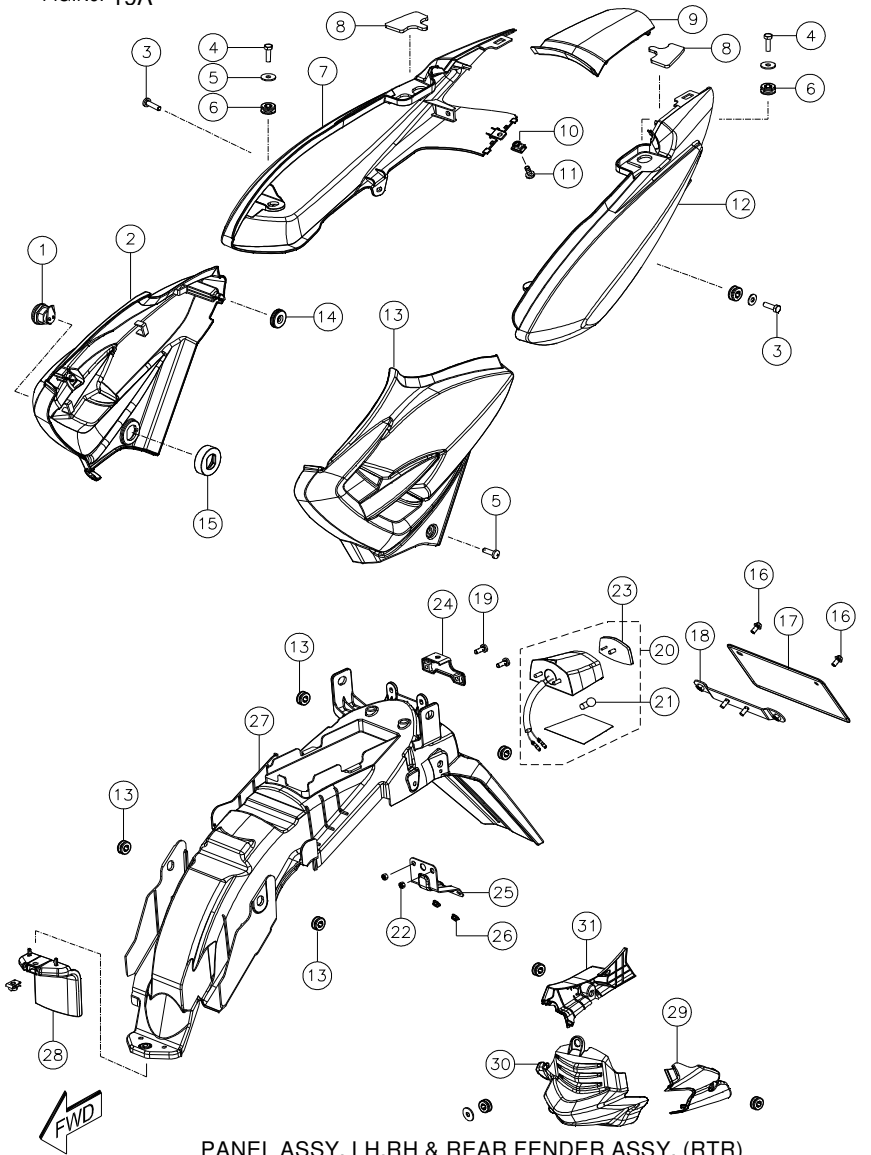


PANEL LH,RH & REAR FENDER ASSY. (RTR)

FIG.NO.19A

REF NO.	PART NO.	DESCRIPTION	NO. OFF					REMARKS	
			APACHE 150		RTR	RTR REF.	RTR EFI		RTR REF.
			DR BR	DISC FR BR	REAR DISC	NEW			
1	N9212050	LOCK ASSY. COVER FRAME			1	1	1		
2	----	COVER FRAME RH			1	1	1	REF.COLOUR MATRIX	
3	M1200820	CRR PAN HEAD SCREW M6 X 25			2	2	2		
4	420462700	HEX SCREW			4	4	4		
5	0335618	PUNCHED WASHER 6.5x16x1.2			4	4	4		
6	N3120130	GROMMET			9	9	9		
7	----	COVER SEAT TAIL RH			1	1	1	REF.COLOUR MATRIX	
8	N9220560	CUSHION PILLION HANDLE			2	2	2		
9	----	TAIL COVER CENTER			1	1	1	REF.COLOUR MATRIX	
10	K3200840	RETAINER CLIP COMP. PANEL			4	4	4		
11	M1201050	CRR PAN HEAD SCREW			2	2	2		
12	----	COVER SEAT TAIL LH			1	1	1	REF.COLOUR MATRIX	
13	----	COVER FRAME LH			1	1	1	REF.COLOUR MATRIX	
14	N8122300	CUSHION COVER FRAME			2	2	2		
15	N9220530	CUSHION LOCK COVER FRAME			1	1	1		
16	C8200040	HEX FLANGE BOLT M6x1.0x12			2	2	2		
17	N8121710	LICENSE PLATE REAR			1	1	1		
18	N8220300	BRKT COMP.LICENSE PLATE RR			1	1	1		
19	0332275	CRR PAN HD SCREW M6x16			2	2	2		
20	N9221220	NUMBER PLATE ILLUMINATOR			1	1	1		
21	5227360	BULB 12V 3.4W			1	1	1		
22	420302700	HEX NUT M5			2	2	2		
23	---	REFLEX REFLECTOR			1	1	1		
24	N9221260	BRKT FEDNER COMP. RR TOP			1	1	1		

FIG.No. 19A



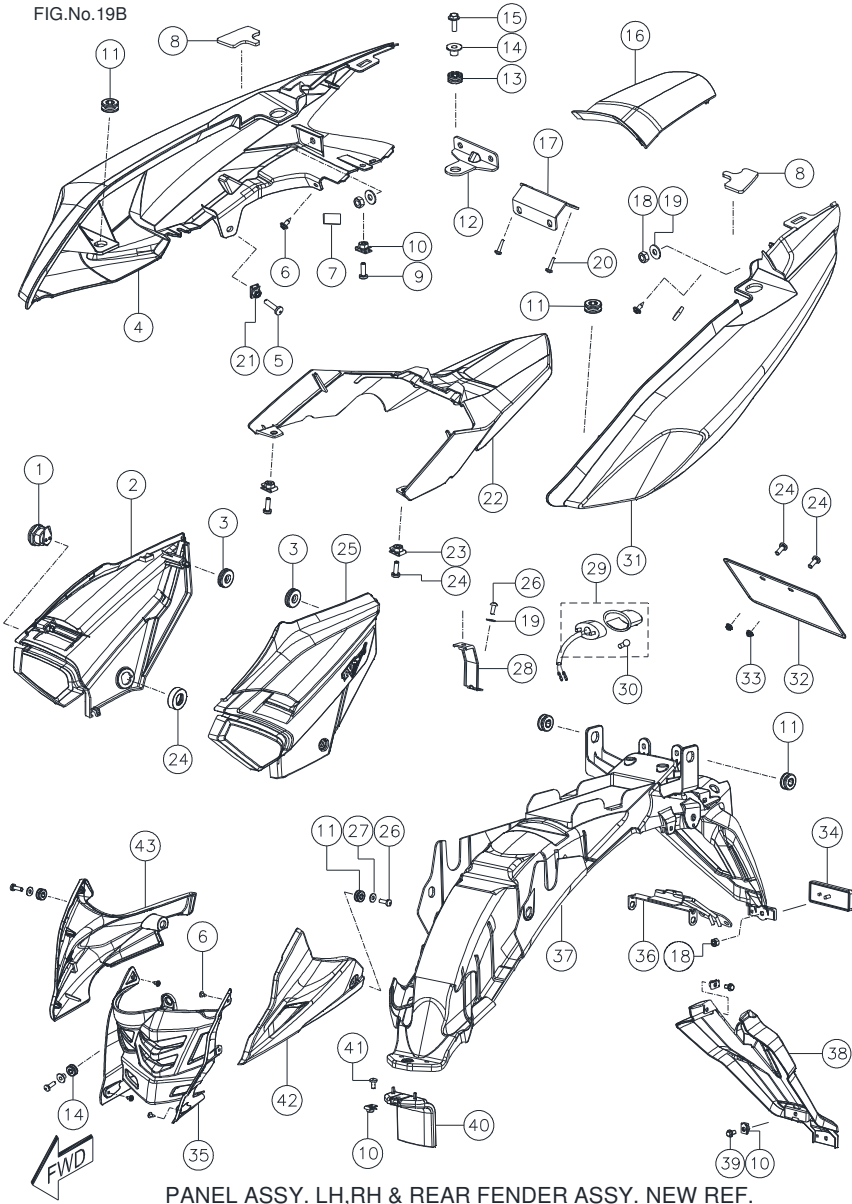
PANEL LH,RH & REAR FENDER ASSY. (RTR)

FIG.NO.19A

REF NO.	PART NO.	DESCRIPTION	NO. OFF					REMARKS
			APACHE 150		RTR	RTR	RTR	
			DR BR	DISC FR BR	REF.	EFI	REF.	
25	N9221650	BRKT FENDER REAR BOTTOM			1	1	1	
26	0334146	HEX. FLANGE NUT M6			5	5	5	
27	N9221230	FENDER REAR			1	1	1	
28	N9220480	BODY FRONT FENDER REAR			1	1	1	
29	---	ENGINE GUARD LH			1	1	1	REF.COLOUR MATRIX
30	---	ENGINE GUARD CENTER			1	1	1	REF.COLOUR MATRIX
31	---	ENGINE GUARD RH			1	1	1	REF.COLOUR MATRIX



FIG.No.19B

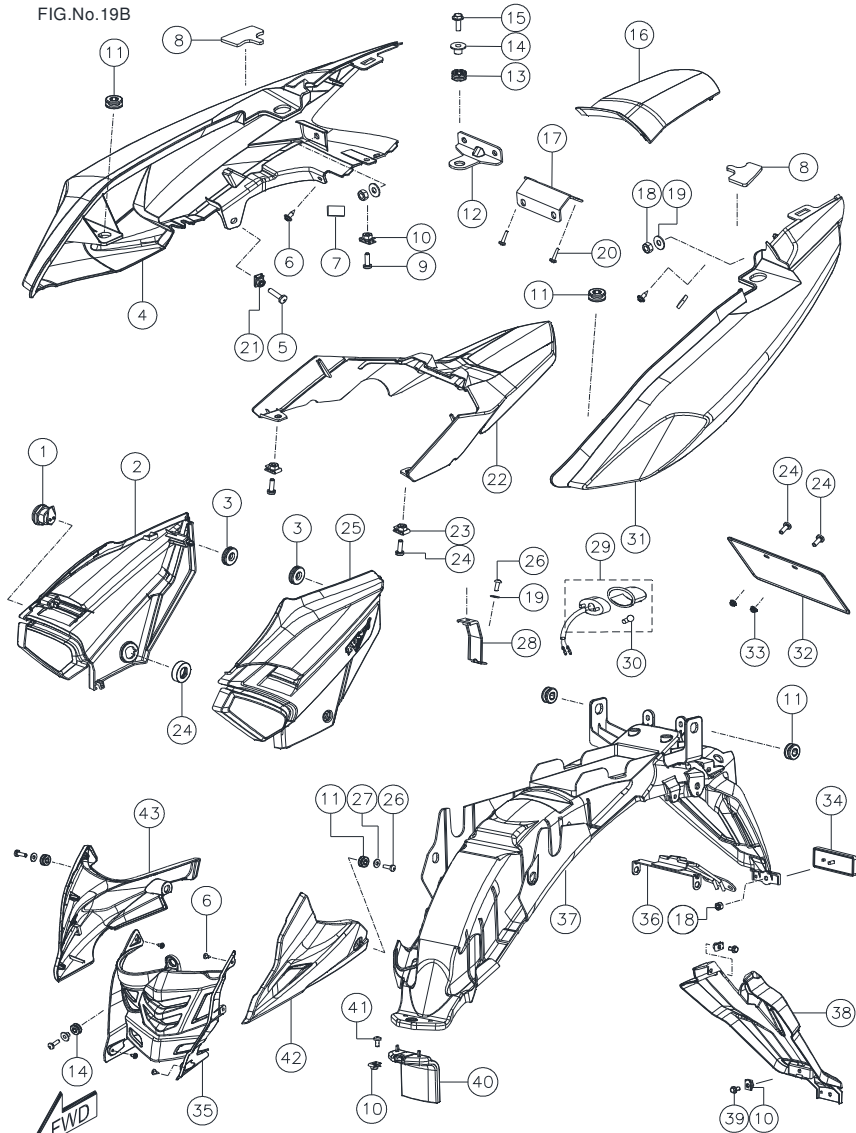


PANEL LH,RH & REAR FENDER ASSY.(NEW REF.)

FIG.NO.19B

REF NO.	PART NO.	DESCRIPTION	NO. OFF					REMARKS	
			APACHE 150	RTR	RTR REF.	RTR EFI	RTR REF.		
			DR BR	DISC FR BR	REAR DISC	NEW			
1	N9212050	LOCK ASSY. COVER FRAME						1	
2	---	COVER FRAME RH						1	REF.COLOUR MATRIX
3	N9220530	CUSHION LOCK COVER FRAME						2	
4	---	TAIL COVER RH						1	REF.COLOUR MATRIX
5	M1200820	CRR PAN HEAD SCREW M6 x 25						2	
6	N3200340	CRR FL. PAN HEAD TAP. SCREW						6	
7	R1220770	CUSHION HEAD LAMP						2	
8	N9220560	CUSHION PILLION HANDLE						2	
9	M1201050	CRR PAN HEAD SCREW						1	
10	K3200840	RETAINER CLIP NUT M6						4	
11	N3120130	GROMMET HEAD LAMP						4	
12	N9220960	BRKT TAIL LAMP FRONT						1	
13	N8220180	GROMMET TAIL COVER						1	
14	N8122610	CUP WASHER						2	
15	N2200500	HEX FLANGE BOLT M6x1.25						1	
16	---	TAIL COVER CENTER						1	REF.COLOUR MATRIX
17	N9220400	BRKT TAIL LAMP REAR						1	
18	420305700	HEX NUT M5						3	
19	0335608	PUNCHED WASHER 6.5x16x1.2						4	
20	K200320	CRR PAN HD TAP SCR4.2x16						2	
21	S1200700	RETAINER CLIP COMP PANEL						2	
22	N9222300	COVER ILLUMINATOR						1	
23	K3200830	RETAINER CLIP NUT M5						2	
24	M1200660	CRR PAN HEAD SCREW M5x16						2	

FIG.No.19B



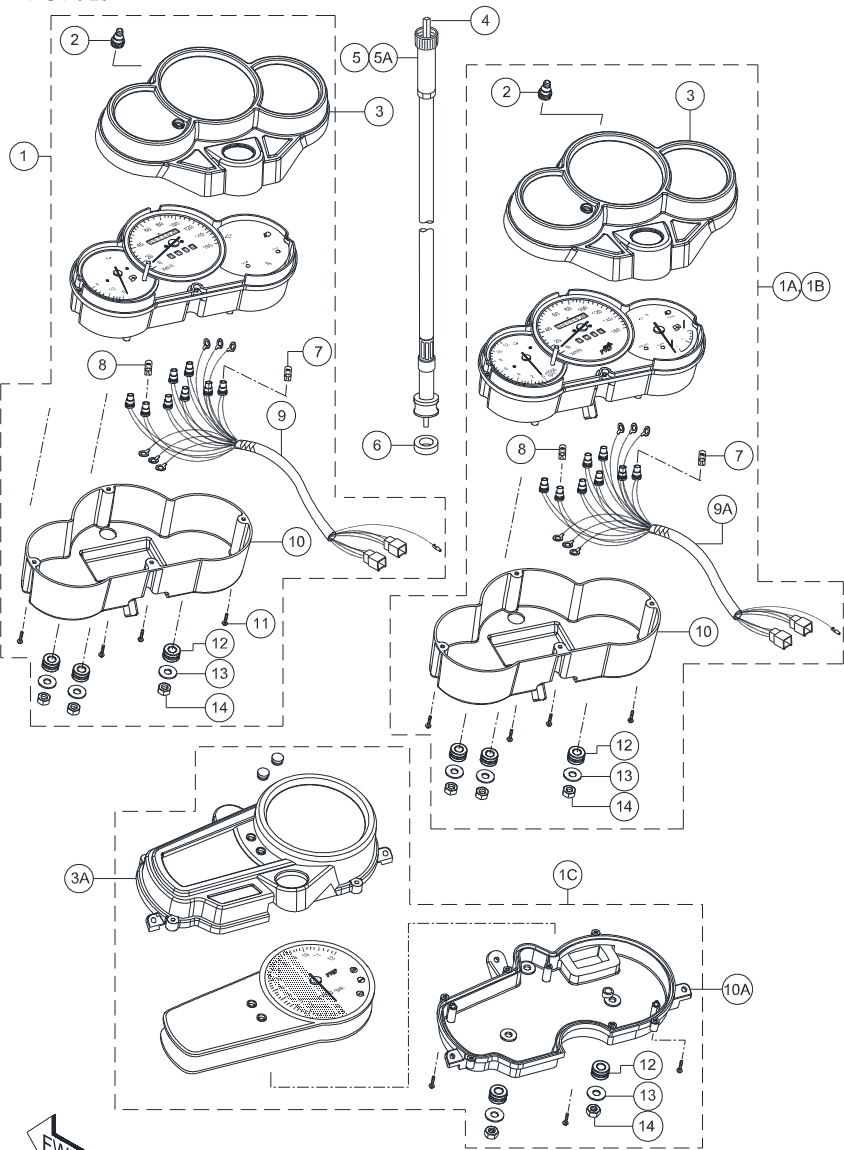
PANEL ASSY. LH,RH & REAR FENDER ASSY. NEW REF.

**PANEL LH,RH & REAR FENDER ASSY.(NEW REF.)**

FIG.NO.19B

REF NO.	PART NO.	DESCRIPTION	NO. OFF					REMARKS	
			APACHE 150	RTR	RTR REF.	RTR EFI	RTR REF.		
			DR BR	DISC FR BR	REAR DISC	NEW			
25	---	COVER FRAME LH						1	REF.COLOUR MATRIX
26	N5200440	CRR PH SCREW M6x20						4	
27	N5200480	PUNCHED WASHER 6.5x20x1.6						3	
28	N9222080	BRKT FENDER TOP						1	
29	N9220490	NUMBER PLATE ILLUMINATOR COMP.						1	
30	M7160190	BULB 12V 3.4W						1	
31	---	TAIL COVER LH						1	REF.COLOUR MATRIX
32	D127420	LICENSE PLATE REAR						1	
33	0334146	NUT LICENCE PLATE						1	
34	M7160120	REFLEX REFLECTOR ASSY.						1	
35	N9222779	ENGINE GUARD CENTER						1	
36	N9222040	BRKT COMP FENDER REAR						1	
37	N9223890	FENDER REAR						1	
38	N9222010	FLAP REAR FENDER						1	
39	C8200040	HEX FLANGE BOLT M6x12						3	
40	N9220480	BODY FRONT FENDER REAR						1	
41	P3200010	CRR PAN HD SCREW M6x12						1	
42	---	ENGINE GUARD LH						1	REF.COLOUR MATRIX
43	---	ENGINE GUARD RH						1	

FIG.No.20



SPEEDOMETER ASSEMBLY

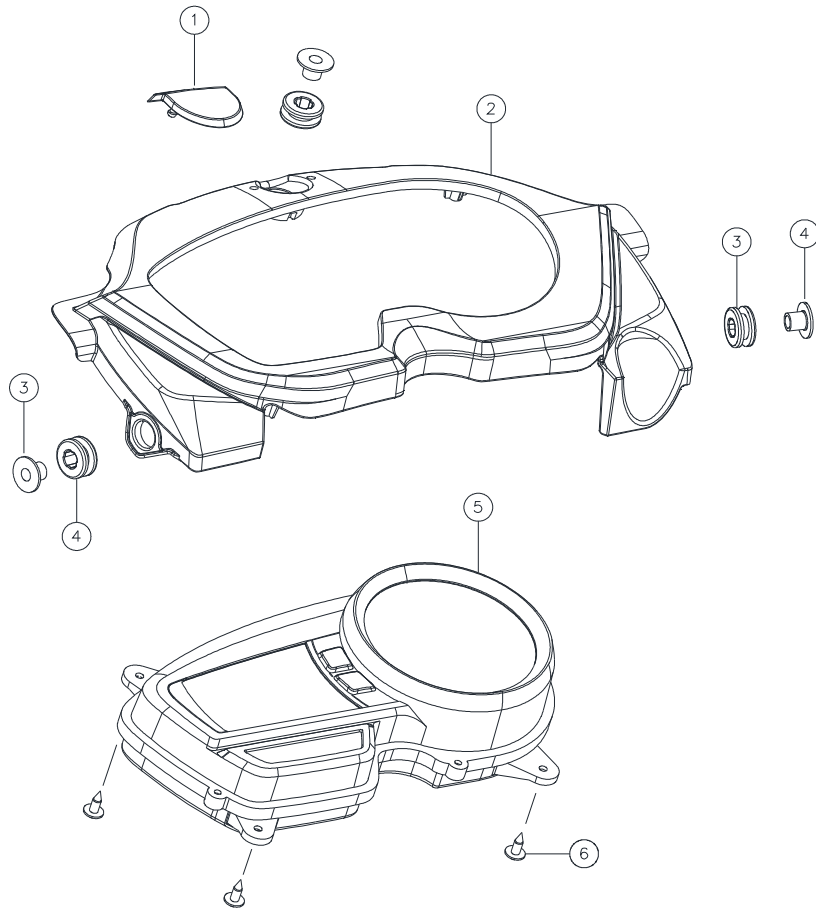


**SPEEDOMETER ASSEMBLY**

FIG.NO. 20

REF NO.	PART NO.	DESCRIPTION	NO. OFF					REMARKS	
			APACHE 150		RTR	RTR REF.	RTR EFI		RTR REF.
			DR BR	DISC FR BR	REAR DISC	NEW			
1	N9220280	SPEEDO METER ASSY.(W/O RPM )	1						
1A	N9220930	SPEEDO METER ASSY.(WITH RPM)		1*				"BLOCKED"	
1B	N9221210	SPEEDOMETER ASSY.		1					
1C	N9221150	SPEEDOMETER ASSY. DIGITAL			1	1			
ID	N9221750	SPEEDOMETER ASSY. DIGITAL					1		
2	N9321380	KNOB RESET	1	1					
3	N9321370	COVER TOP SPEEDOMETER	1	1					
3A	N9322040	COVER TOP SPEEDOMETER			1	1	1		
4	N9321610	SPEEDO CABLE INNER DRUM	1						
4A	N9321690	SPEEDO CABLE INNER DISC		1					
5	N9170120	SPEEDO CABLE ASSY. DRUM	1						
5A	N9170140	SPEEDO CABLE ASSY. DISC		1					
6	N3170080	SEAL COMP. SPEEDO CABLE	1	1					
7	N5320860	BULB 12V 1.7W	6	6					
8	N3160610	BULB 12V 3.4W	2	2					
9	N9160770	WIRING HARNESS SPEEDO KS	1						
9A	N9161040	WIRING HARNESS SPEEDO ES		1					
10	N9321360	COVER BOTTOM SPEEDOMETER	1	1					
10A	N9322050	COVER BOTTOM SPEEDOMETER			1				
11	---	SPEEDO SCREW SET	1	1	1	1	1		
12	N9220760	GROMMET SPEEDOMETER	3	3	3	3	3		
13	0335608	WASHER	3	3	3	3	3		
14	420305700	HEX NUT M6	3	3	3	3	3		

\* - APPLICABLE FOR THE VEHICLES PRODUCED BEFORE NOV 2006

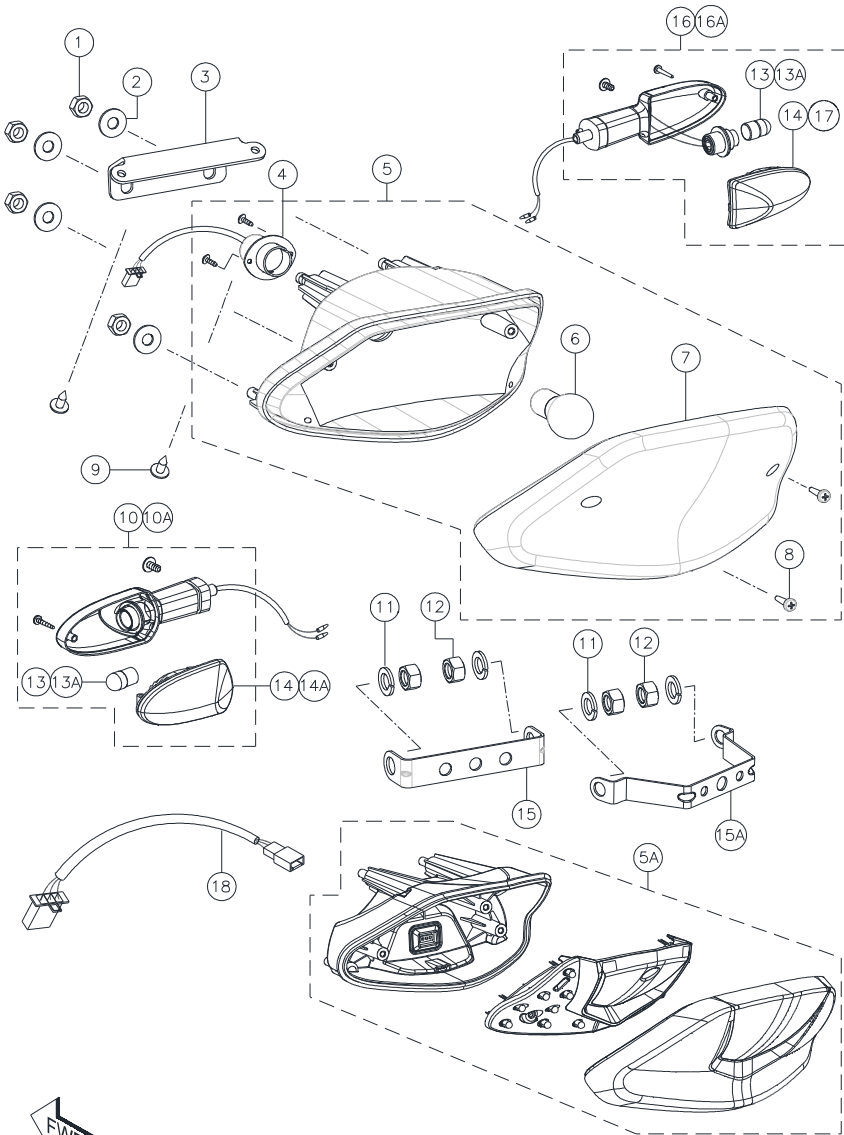


SPEEDOMETER ASSEMBLY - NEW REF.

**SPEEDOMETER ASSEMBLY (NEW REF.)**

REF NO.	PART NO.	DESCRIPTION	NO. OFF					REMARKS	
			APACHE 150		RTR	RTR REF.	RTR EFI		RTR REF.
			DR BR	DISC FR BR		REAR DISC	NEW		
1	N9223960	COVER HOUSING HEADLAMP RR						1	
2	N9222970	HOUSING HEADLAMP REAR						1	
3	N9220760	GROMMET SPEEDOMETER						3	
4	0335608	WASHER						3	
5	N9222990	SPEEDOMETER ASSY. DIGITAL						1	
6	---	SPEEDO SCREW SET						1	

FIG.No.21



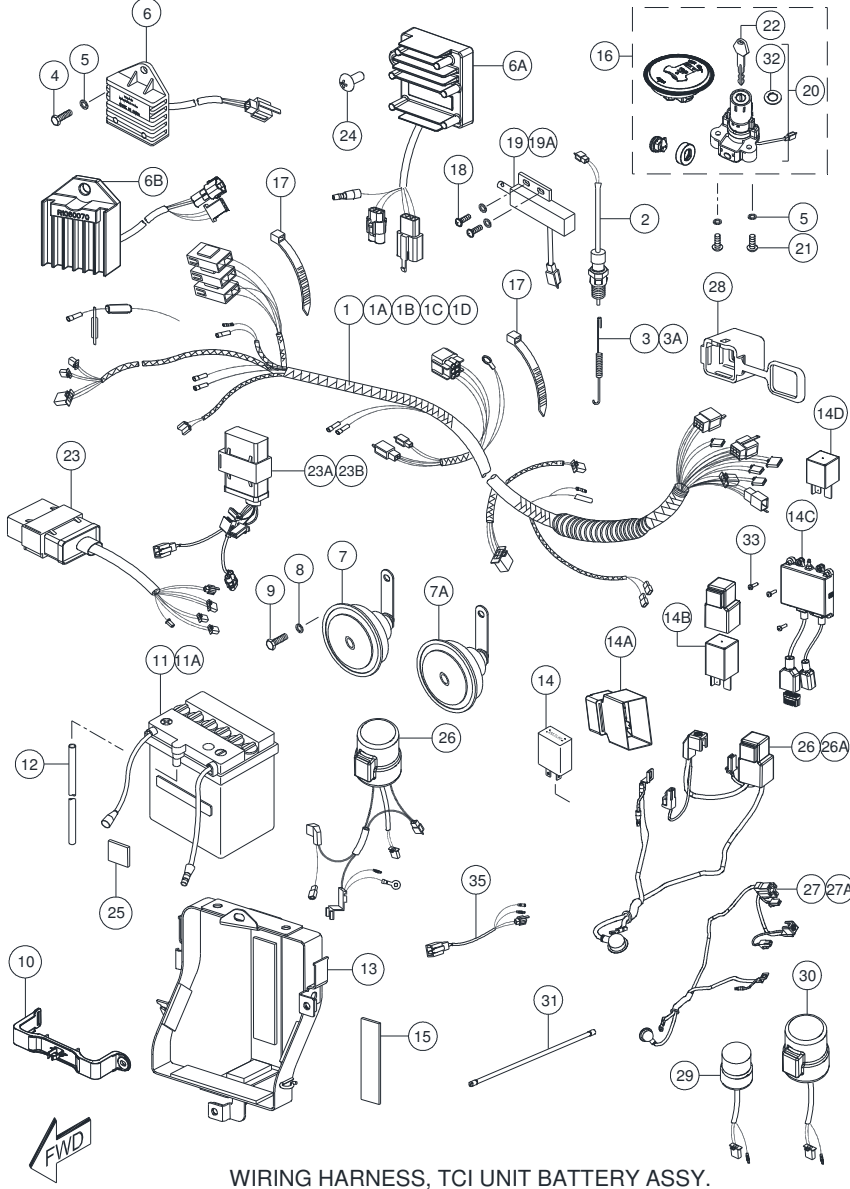
REAR LAMP ASSEMBLY

REAR LAMP ASSEMBLY

FIG.NO. 21

REF NO.	PART NO.	DESCRIPTION	NO. OFF					REMARKS	
			APACHE 150		RTR	RTR REF.	RTR EFI		RTR REF.
			DR BR	DISC FR BR	REAR DISC	NEW			
1	420305700	HEX NUT M6	4	4	4	4	4	4	
2	0335608	PUNCHED WASHER 6.5x16x1.2	4	4	4	4	4	4	
3	N9220400	BRACKET TAIL LAMP	1	1	1	1	1	1	
4	N9160610	BULB HOLDER TAIL LAMP	1	1	1	1	1	1	
5	N9160400	TAIL LAMP ASSY.	1	1					
5A	N9161080	TAIL LAMP ASSY. (LED)			1	1	1	1	
6	K3160750	BULB RC LAMP 12V 21/5W	1	1					
7	N9160410	LENS RC LAMP	1	1					
8	K200300	CRR PAN HEAD TAP SCR 3.5x16	2	2					
9	N3200340	CRR FL. PAN HD TAP SCR 4.2x13	2	2					
10	N9160980	TURN SIGNAL LAMP ASSY. RR LH	1	1					
10A	N9161380	TURN SIGNAL LAMP ASSY. RR LH			1	1	1	1	
11	0330328	WAVE SPRING WASHER M10	2	2	2	2	2	2	
12	0334038	HEX NUT M10	2	2	2	2	2	2	
13	N3160210	BULB 12V 10W	2	2					
13A	K3160450	AMBER BULB			2	2	2	2	
14	N9321270	LENS AND REFLECTOR COMP.	2	2					
14A	N9321830	LENS AND REFLECTOR COMP. RL/FR			1	1	1	1	
15	N9220540	BRKT FENDER REAR	1	1					
15A	N9221290	BRKT FENDER REAR			1	1	1	1	
16	N9160990	TURN SIGNAL LAMP ASSY, REAR R	1	1					
16A	N9161390	TURN SIGNAL LAMP ASSY, RR RH			1	1	1	1	
17	N9321820	LENS AND REFLECTOR COMP. RR/FL			1	1	1	1	
18	---	HARNASS ASSY. TAIL LAMP			1	1	1	1	

FIG.No.22



**WIRING HARNESS, CDI UNIT & BATTERY ASSY.**

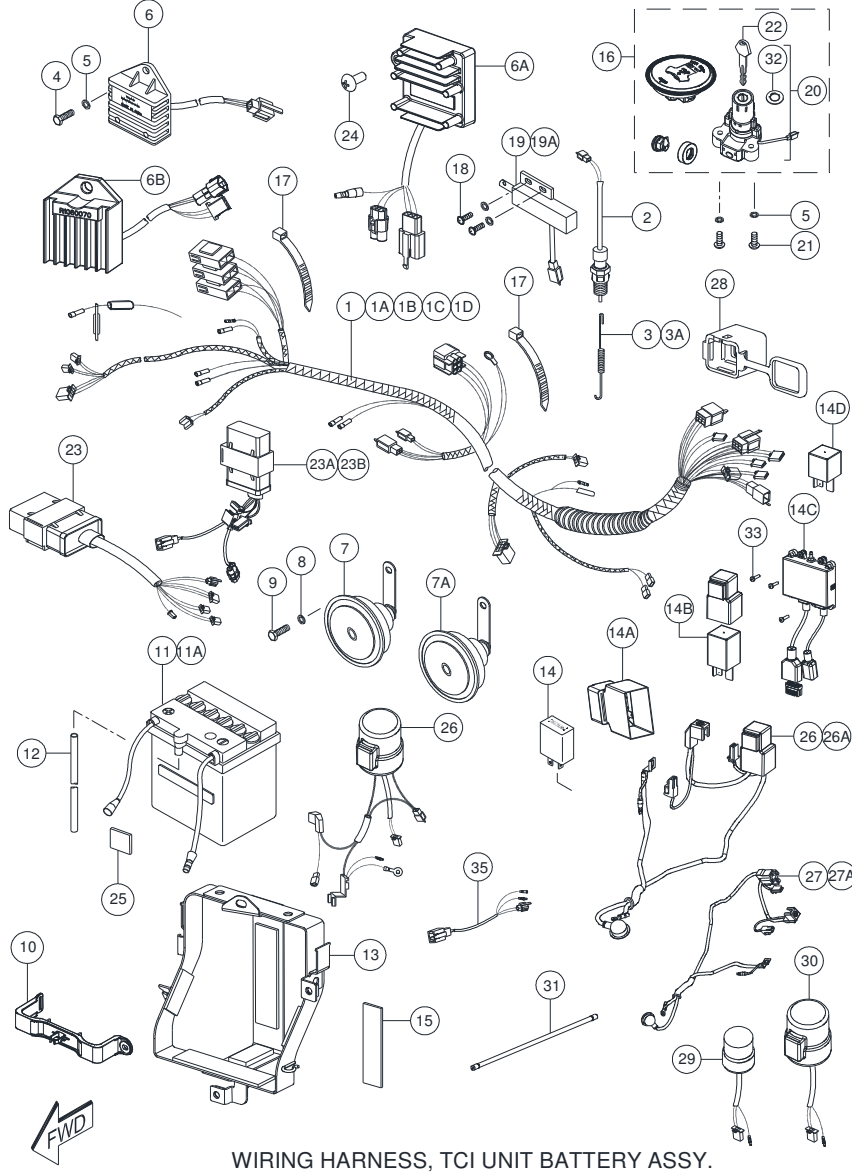
FIG.NO. 22

REF NO.	PART NO.	DESCRIPTION	NO. OFF					REMARKS
			APACHE 150	RTR	RTR REF.	RTR EFI	RTR REF.	
			DR BR	DISC FR BR	REAR DISC	NEW		
1	N9160460	WIRING HARNESS KS	1					
1A	N9160630	WIRING HARNESS ES		1*				
1B	N9161140	WIRING HARNESS ES NEW		1				
1C	N9324120	WIRING HARNESS			1	1		1
1D	M9160090	WIRING HARNESS					1	
2	N9160900	SWITCH ASSY. STOP LAMP RR	1	1	1	1	1	1
3	N8111110	SPRING STOP LAMP SWITCH	1	1		1	1	1
3A	N2110620	SPRING STOP LAMP SWITCH			1			
4	420452700	HEX SCREW M6x12	1	1	1	1	1	1
5	0330408	SPRING WASHER M6	3	3	3	3	3	3
6	R1060070	REGULATOR DC	1	1	1	1		1
6A	M9060120	FULL WAVE REGULATOR					1	
7	N9160840	HORN RH	1	1	1	1	1	1
7A	N9160850	HORN LH	1	1	1	1	1	1
8	0330318	WAVE SPRING WASHER M8	1	1	1	1	1	1
9	420477700	HEX SCREW M8x16	1	1	1	1	1	1
10	N9122690	CLAMP BATTERY	1	1	1	1	1	1
11	K06012000	BATTERY ASSY.UNCHARGED (5 AM	1					
11A	M7060190	BATTERY ASSY.UNCHARGED (9 AMPS)	1	1	1	1	1	1
12	N3060110	BATTERY BREATHER HOSE	1	1	1	1	1	1
13	N9125310	HOLDER COMP. BATTERY	1	1	1	1	1	1
14	N9160380	ELECTRONIC FLASHER UNIT	1	1				1
14A	N9161260	RELAY PASS BY ASSY.			1			1
14B	M9160150	ECU RELAY				1	1	
14C	M9060050	ECU EMS					1	
14D	N9161840	STARTER RELAY						1

\* - APPLICABLE FOR THE VEHICLES PRODUCED BEFORE NOV 2006



FIG.No.22



**WIRING HARNESS, CDI UNIT & BATTERY ASSY.**

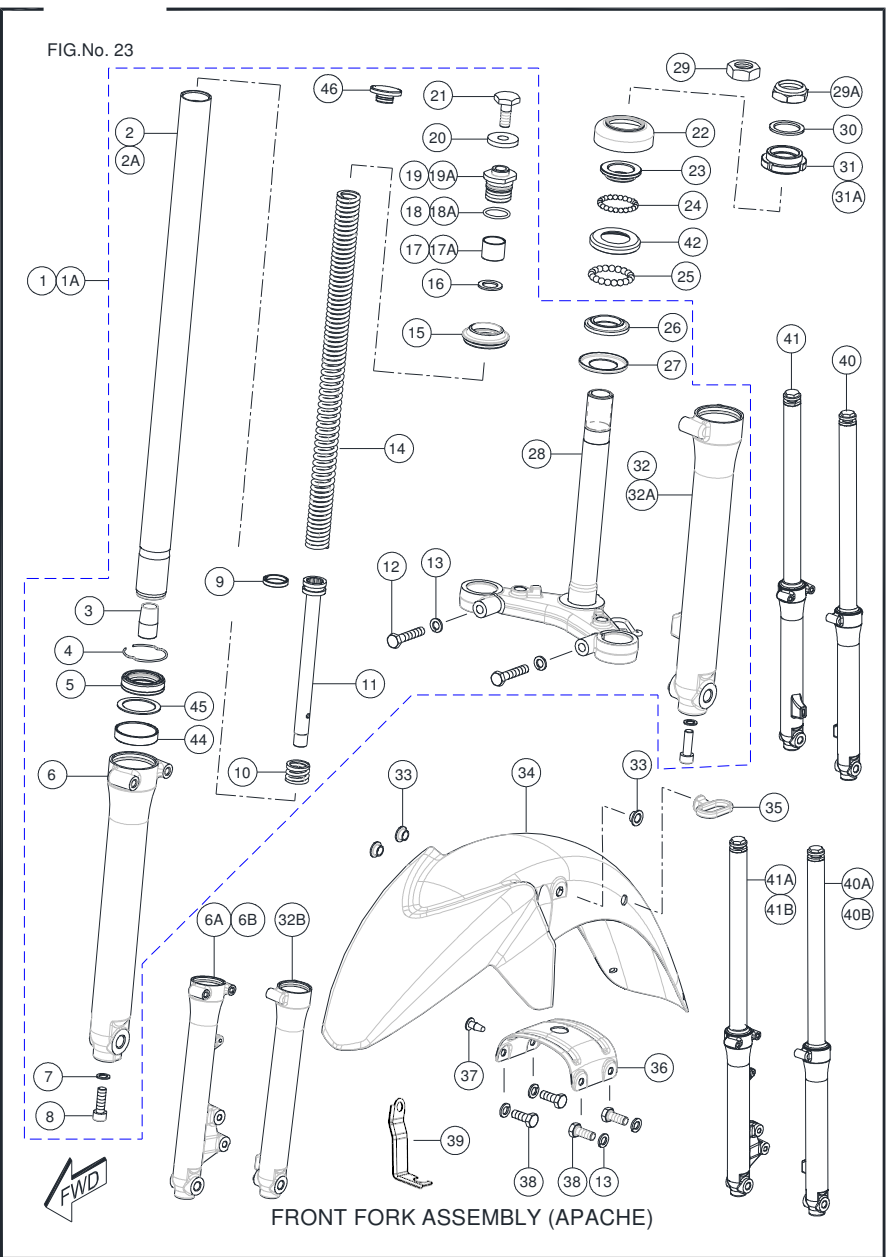
FIG.NO. 22

REF NO.	PART NO.	DESCRIPTION	NO. OFF					REMARKS	
			APACHE 150		RTR	RTR REF.	RTR EFI		RTR REF.
			DR BR	DISC FR BR	REAR DISC	NEW			
15	N9160680	CUSHION SET - BATTERY	1	1	1	1	1	1	
16	N9212210	LOCK SET	1	1	1	1	1	1	
17	N3160340	CLAMP WIRING HARNESS	2	2	2	2	2	2	
18	0331708	CRR PAN HEAD SCREW M5x12	2	2	2	2	2	2	
19	M7160210	THROTTLE SWITCH							
19A	N9161890	THROTTLE SWITCH		1	1	1	1	1	
20	N9160480	STEERING /IGNITION LOCK	1	1	1	1	1	1	
21	420518700	CRR PAN HEAD SCREW M6x20	2	2	2	2	2	2	
22	N9321400	BLANK KEY	1	1	1	1	1	1	
23	N9060210	TCI UNIT	1	1					
23A	N9060370	TCI UNIT			1	1		1	
23B	N9060920	TCI UNIT						1	BSIV
24	0332275	CRR PAN HEAD SCREW M6x16						1	
25	N9212390	STICKER COMP. BATTERY	1	1	1	1	1	1	
26	N9160920	STARTER RELAY ASSY.	1	1	1	1	1	1	
26A	N9161850	STARTER RELAY ASSY.		1	1	1	1	1	
27	N9161900	CORD SET STARTER RELAY	1	1	1	1	1	1	
27A	N9161810	CORD SET STARTER RELAY		1	1	1	1	1	
28	N9161640	CAP WATER PROOF COUPLER				1	1		
29	M9160130	CAPACITOR ASSY.					1		
30	N9060420	CAPACITOR & ECU RELAY ASSY.					1		
31	M9040120	HOSE MAP SENSOR					1		
32	N9215570	ILLUMINATION RING	1	1	1	1	1	1	
33	0335558	CRPH SCREW M5x20					3		
34	N9322410	PC DIAGNOSTIC KIT RTR FI					1		N.I
35	N9162820	CORD SET SWITCH						1	BSIV

N.I - NOT ILLUSTRATED

**FRONT FORK ASSEMBLY**

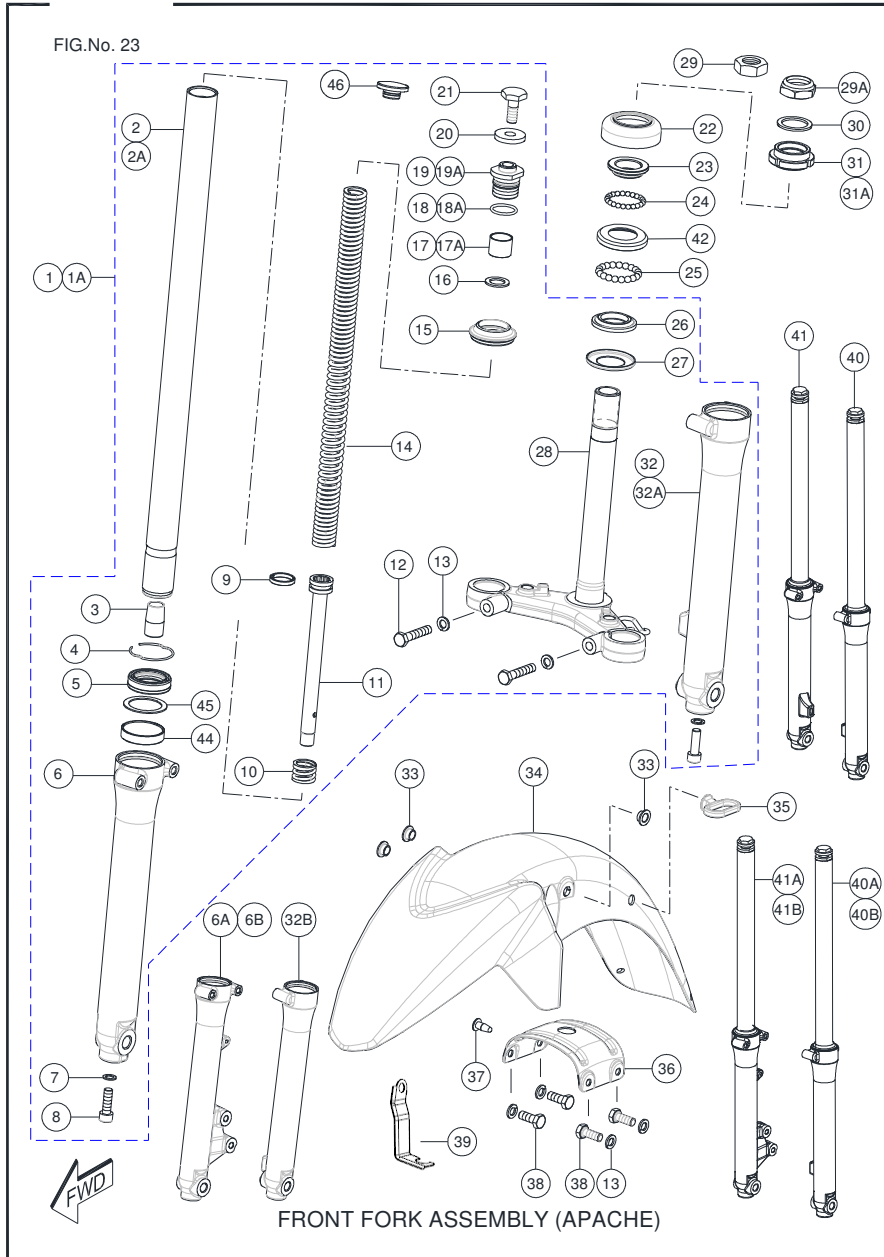
**FIG.NO. 23**



REF NO.	PART NO.	DESCRIPTION	NO. OFF					REMARKS	
			APACHE 150		RTR	RTR REF.	RTR EFI		RTR REF.
			DR BR	DISC FR BR	REAR DISC	NEW			
1	N9100650	FRONT FORK ASSY. FRONT (DISC)		1					
1A	N9101080	FRONT FORK ASSY. (DISC)	1		1	1	1	1	
2	N9100379	INNER TUBE	2	2					
2A	N9101090	INNER TUBE			2	2	2	2	
3	N3100300	SPINDLE TAPER	2	2	2	2	2	2	
4	N3100290	CIRCLIP FRONT FORK	2	2	2	2	2	2	
5	N3102420	SEAL OIL	2	2	2	2	2	2	
6	N9100760	FORK OUTER TUBE RH (DRUM)	1						
6A	N9100830	FORK OUTER TUBE RH (DISC )		1					
6B	N9100870	FORK OUTER TUBE RH (DISC )			1	1	1	1	
7	N8101220	WASHER	2	2	2	2	2	2	
8	N8101230	HEX ALEN SCREW M8	2	2	2	2	2	2	
9	N3100330	PISTON RING	2	2	2	2	2	2	
10	N8101320	SPRING PISTON	2	2	2	2	2	2	
11	N3100340	PISTON FRONT FORK	2	2					
11A	N9101120	PISTON FRONT FORK			2	2	2	2	
12	420955700	HEX SCREW M8x40	2	2	2	2	2	2	
13	0330318	WAVE SPRING WASHER M8	6	6	6	6	6	6	
14	N5101939	SPRING FRONT FORK	2	2	2	2	2	2	
15	N3102410	DUST SEAL	2	2	2	2	2	2	
16	N5101979	WASHER SPRING SEAT	2	2	2	2	2	2	
17	N9100780	SPACER FRONT FORK	2	2					
17A	N9101010	SPACER FRONT FORK			2	2	2	2	
18	N5101969	O RING	1	1					

FRONT FORK ASSEMBLY

FIG.NO. 23

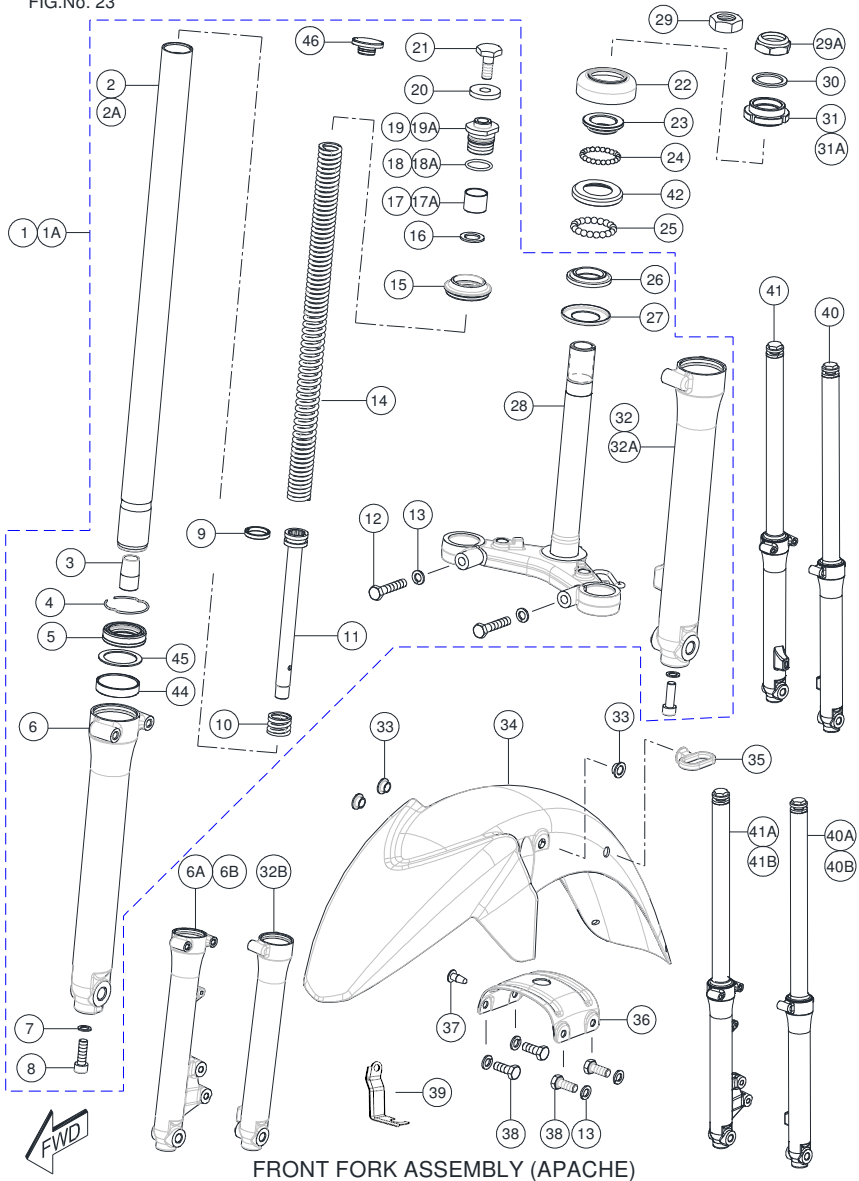


REF NO.	PART NO.	DESCRIPTION	NO. OFF					REMARKS	
			APACHE 150		RTR	RTR REF.	RTR EFI		RTR REF.
			DR BR	DISC FR BR	REAR DISC	NEW			
18A	M7100300	O RING			1	1	1	1	
19	N9100450	NUT FRONT FORK	2	2					
19A	M7100310	NUT FRONT FORK			2	2	2	2	
20	N5101989	PLAIN WASHER	2	2					
21	N5101999	HEX BOLT M10	2	2					
22	M7101170	DUST SEAL STEERING UPPER	1	1	1	1	1	1	
23	S1101150	RACE STEERING OUTER	1	1	1	1	1	1	
24	420404000	3/16 BALLS	22	22	22	22	22	22	
25	K3200450	STEERING BALL LOWER (DIA 6.35)	19	19	19	19	19	19	
26	N8120910	CONE BOTTOM	1	1	1	1	1	1	
27	N9101580	DUST SEAL STEERING LOWER	1	1	1	1	1	1	
28	N9322140	LOWER BRKT COMP.	1	1	1	1	1	1	
29	N2100170	LOCK NUT STEERING	1	1	1				
29A	410058700	LOCK NUT STEERING				1	1	1	
30	410043700	SPECIAL WASHER	1	1	1	1	1	1	
31	N2100180	ARRESTER STEERING STEM	1	1					
31A	0254088	ARRESTER STEERING STEM			1	1	1	1	
32	N9100750	FORK OUTER TUBE LH (DRUM)	1						
32A	N9100820	FORK OUTER TUBE LH (DISC)		1					
32B	N9101060	FORK OUTER TUBE LH (DISC)			1	1	1	1	
33	M7101020	SPACER FRONT FENDER	4	4	4	4	4	4	
34	----	FRONT FENDER	1	1	1	1	1	1	REF.COLOUR MATRIX
35	N3100220	GUIDE CABLE	1	1	1	1	1	1	
36	M7100570	BRACE FRONT FENDER	1	1	1	1	1	1	
37	N3100230	CLIP	1	1	1	1	1	1	
38	420454700	HEX SCREW M8x20	4	4	4	4	4	4	

N.I - NOT ILLUSTRATED



FIG.No. 23



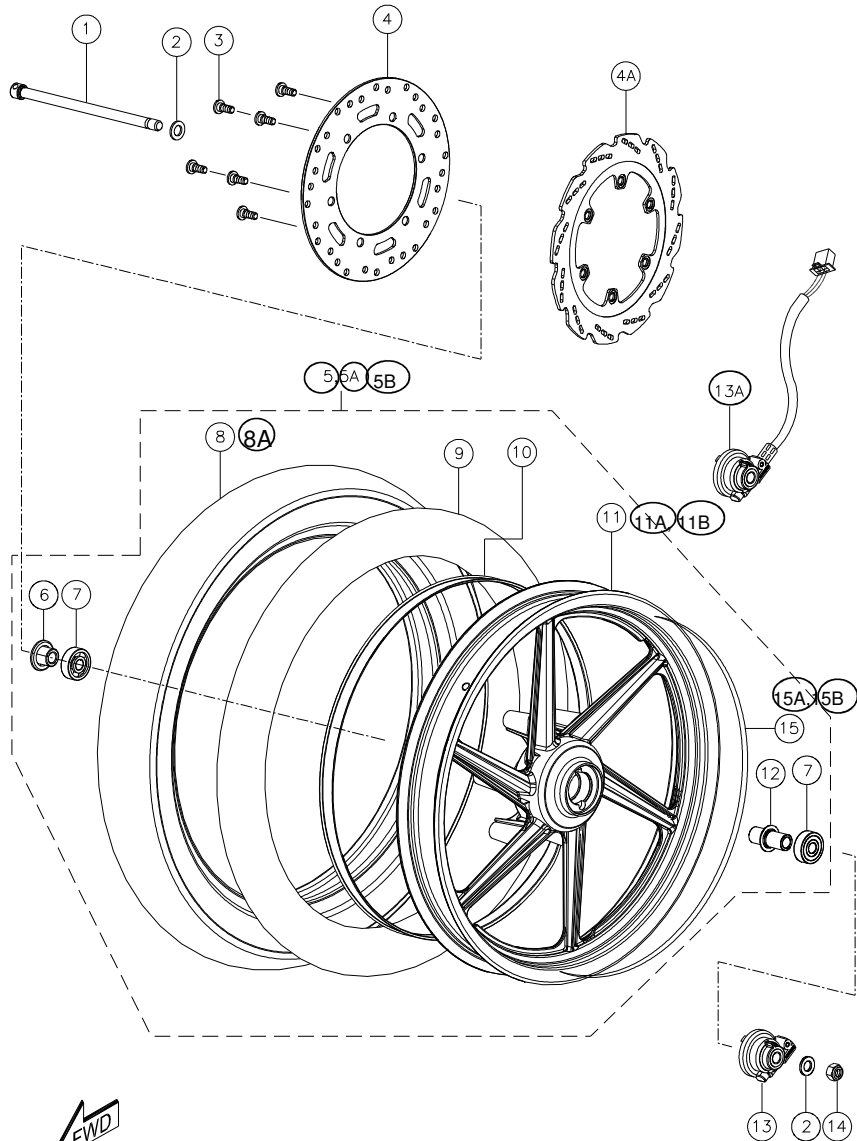
**FRONT FORK ASSEMBLY**

FIG.NO. 23

REF NO.	PART NO.	DESCRIPTION	NO. OFF					REMARKS	
			APACHE 150		RTR	RTR REF.	RTR EFI		RTR REF.
			DR BR	DISC FR BR	REAR DISC	NEW			
39	N9112180	CLAMP SPEED SENSOR			1	1	1	1	
40	N9100340	LEG ASSY. LH FRONT FORK (DRUM)	1						
40A	N9100520	LEG ASSY. LH FRONT FORK (DISC)		1					
40B	N9100960	LEG ASSY. LH FRONT FORK (DISC)			1	1	1	1	
41	N9100350	LEG ASSY. RH FRONT FORK (DRUM)	1						
41A	N9100510	LEG ASSY. RH FRONT FORK (DISC)		1					
41B	N9100970	LEG ASSY. RH FRONT FORK (DISC)			1	1	1	1	
42	K3100590	CUP BOTTOM	1	1	1	1	1	1	
43	S1125290	RACE STEERING INNER	1	1	1	1	1	1	
44	N9100770	DU BUSH	1	1	1	1	1	1	
45	N9100890	WASHER DU BUSH	1	1	1	1	1	1	
46	N9101020	CAP FRONT FORK TOP			2	2	2	2	
47	N8320070	STEERING CONE KIT	1	1	1	1	1	1	** , N.I

\*\* - REF. KIT & KIT CONTENTS

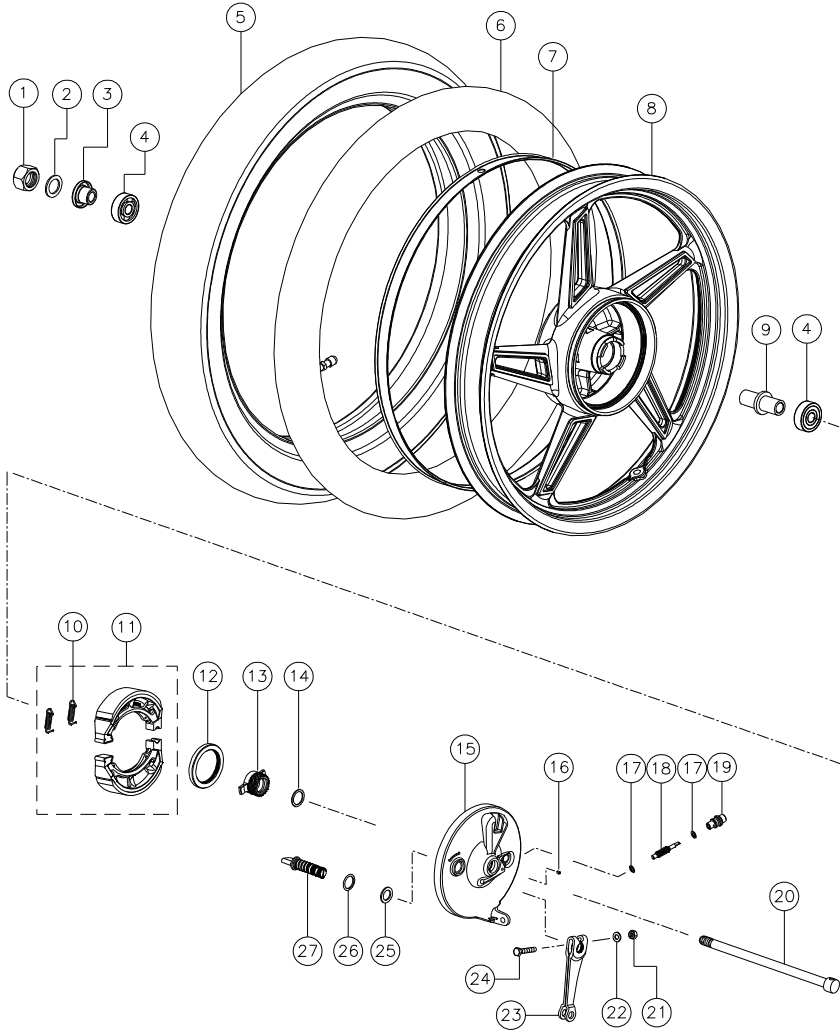
N.I - NOT ILLUSTRATED



FRONT ALLOY WHEEL ASSY. (DISC BRAKE)

## FRONT ALLOY WHEEL ASSY. (DISC BRAKE)

REF NO.	PART NO.	DESCRIPTION	NO. OFF					REMARKS	
			APACHE 150		RTR REF.	RTR EFI	RTR REF.		
			DR BR	DISC FR BR	REAR DISC	NEW			
1	N3110990	AXLE Ø12 x 221.5		1	1	1	1	1	
2	0335538	PUNCHED WASHER 12.5x22x2.3		2	2	2	2	2	
3	M7110090	SCREW SPECIAL M8		6	6	6	6	6	
4	N9111130	DISC PLATE		1					
4A	N9111890	DISC PLATE			1	1	1	1	
5	N9111180	WHEEL ASSY. FR (ALLOY DISC)		1	1				
5A	N9112410	WHEEL ASSY. FR WITH TAPESET		1	1	1	1		
5B	N9113700	WHEEL ASSY. FRONT WITH TS						1	TUBE LESS
6	M7110100	SPACER COMP. FR HUB BEARING		1	1	1	1	1	
7	N3200010	BALL BEARING 12 x 37 x 12		2	2	2	2	2	
8	N9110640	TYRE FRONT 90 / 90-17		1	1	1	1		
8A	N9113680	TYRE FRONT 90 / 90-17 TUBE LE						1	TUBE LESS
9	N9110650	TUBE ASSY. 90 / 90-17		1	1	1	1		
10	N9110660	PROTECTOR WHEEL INNER TUBE		1	1	1	1		
11	N9111100	ALLOY WHEEL FR 1.85x17 BLACK		1	1				
11A	N9112720	ALLOY WHEEL WITH TAPE SET FR.		1	1	1	1		
11B	N9112860	ALLOY WHEEL WITH TAPE SET FR.						1	
12	M7110160	SPACER COMP. LH		1	1	1	1	1	
13	M7111350	HUB DRIVE SPEEDO		1					
13A	N9111800	SPEED SENSOR			1	1	1	1	
14	0334158	U NUT M12 x 1.25		1	1	1	1	1	
15	N9214120	TAPESET ALLOY WHEEL FRONT		6	6	6	6		
15A	N9322310	TAPESET ALLOY WHEEL FR (6 PIC)		1	1	1	1		
15B	N9222359	TAPESET ALLOY WHEEL FRONT						2	



FRONT ALLOY WHEEL ASSY. (ALLOY DRUM)

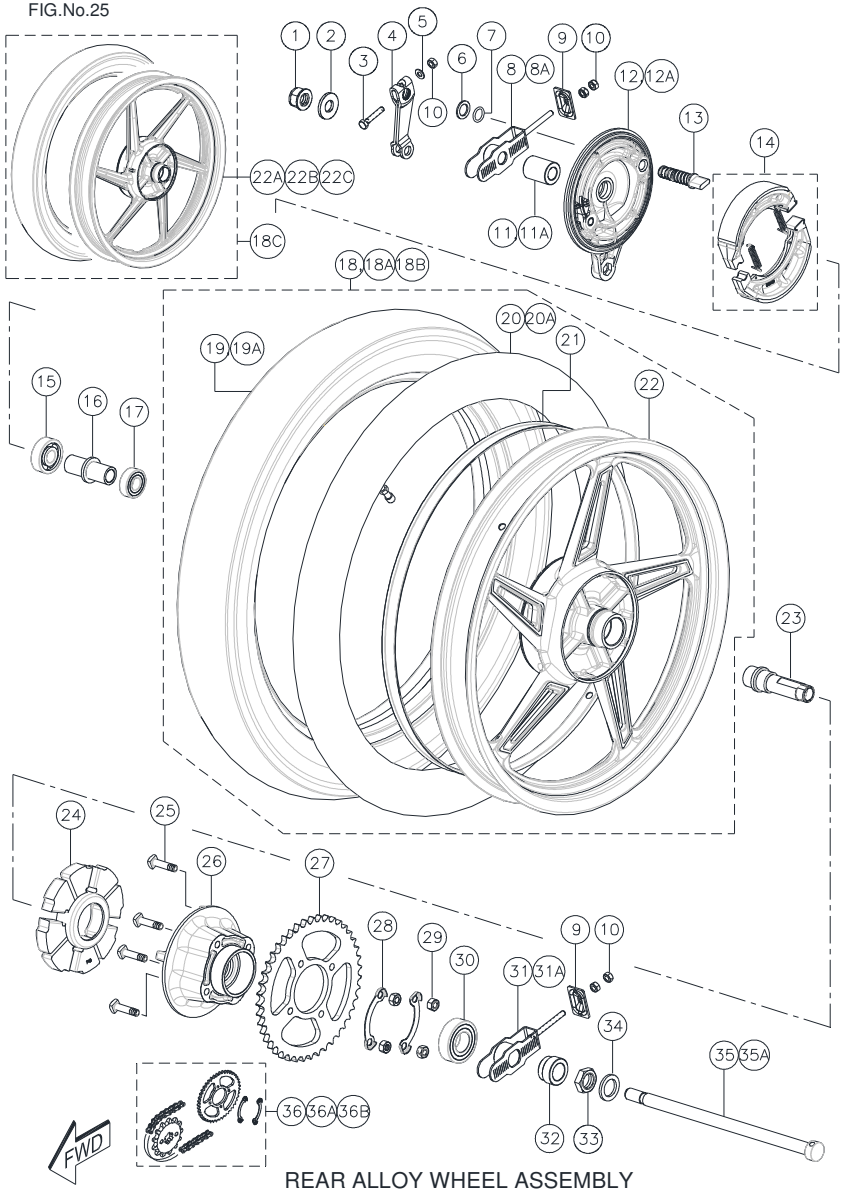
## FRONT ALLOY WHEEL ASSY. (ALLOY DRUM)

FIG.NO.24A

REF NO.	PART NO.	DESCRIPTION	NO. OFF					REMARKS
			APACHE 150	RTR	RTR REF.	RTR EFI	RTR REF.	
			DR BR	DISC FR BR	REAR DISC	NEW		
1	0334158	U NUT M12 x 1.25	1					
2	0335538	PUNCHED WASHER 12.5x22x2.3	1					
3	N3110390	SPACER COMP.	1					
4	N3200010	BALL BEARING 12x37x12	2					
5	N9110640	FRONT TYRE 90 / 90 - 17	1					
6	N9110650	TUBE ASSY. 90 / 90 - 17	1					
7	N9110660	PROTECTOR WHEEL INNER	1					
8	N9111050	ALLOY WHEEL FRONT 1.8x17(5 SPC	1					
9	N2110190	SPACER COMP. FRONT HUB	1					
10	3230515	SPRING BRAKE SHOE	2					
11	1110020	SHOE COMP. SET BRAKE 130 DIA	1					
12	N3110260	SEAL FRONT BRAKE PANEL OIL	1					
13	N2110650	GEAR SPEEDOMETER 24T	1					
14	N3110280	WASHER SPEEDOMETER GEAR TH	1					
15	N2110030	PANEL COMP. FRONT BRAKE	1					
16	0332346	SCREW SPEEDOMETER PINION BU	1					
17	N3110120	THRUST WASHER SPEEDO PINION	2					
18	N3110110	PINION SPEEDOMETER	1					
19	N3110460	BUSHING SPEEDOMETER PINION C	1					
20	N3110990	AXLE 12x221.5	1					
21	420305700	HEX NUT M6	1					
22	0335578	PUNCHED WASHER 6.5x13x1	1					
23	N3110400	LEVER FRONT BRAKE CAM	1					
24	0331248	HEX BOLT M6x1x33	1					
25	0335698	PUNCHED WASHER 14x22x1.6	1					
26	0178030	O RING BRAKE CAM	1					
27	N2110130	CAM BRAKE FRONT	1					
28	N9111060	WHEEL ASSY. FRONT (ALLOY DRUM	1					



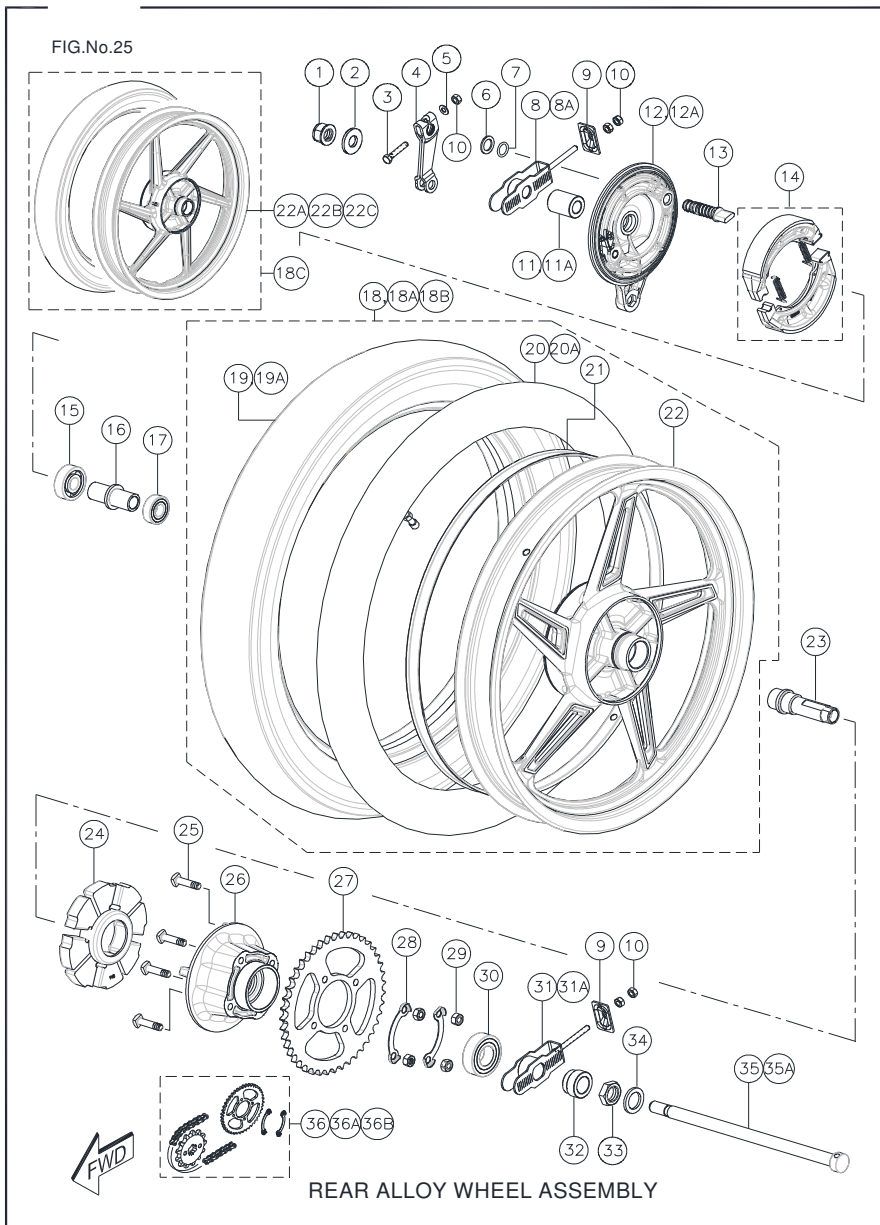
FIG.No.25



REAR ALLOY WHEEL ASSEMBLY

FIG.NO. 25

REF NO.	PART NO.	DESCRIPTION	NO. OFF					REMARKS	
			APACHE 150		RTR	RTR REF.	RTR EFI		RTR REF.
			DR BR	DISC FR BR	REAR DISC	NEW			
1	K200410	U NUT M14x1.5	1	1	1	1	1		
2	M7200020	PUNCHED WASHER 14.5x32x3.2	1	1	1	1	1		
3	0331248	HEX BOLT M6x1x33	1	1	1	1	1		
4	M7110770	LEVER BRAKE CAM	1	1	1	1	1		
5	0335578	PUNCHED WASHER 6.5x13.0x1.0	1	1	1	1	1		
6	0335698	PUNCHED WASHER 14.5x22x1.6	1	1	1	1	1		
7	0178030	O RING BRAKE CAM-BR	1	1	1	1	1		
8	N9090910	CHAIN ADJUSTER COMP. RH	1	1					
8A	N9091340	CHAIN ADJUSTER COMP. RH			1	1		1	
9	N3091850	CLAMP CHAIN ADJUSTER	2	2	2	2		2	
10	420305700	HEX NUT M6 8	4	4	4	4		4	
11	M7110750	SPACER REAR AXLE RH	1						
11A	M7110750D	SPACER REAR AXLE RH BLACK		1	1	1		1	
12	1112450	PANEL BRAKE REAR	1						
12A	1112450D	PANEL BRAKE REAR BLACK		1	1	1		1	
13	N2110130	CAM BRAKE	1	1	1			1	
14	1110020	BRAKE SHOE SET DIA130	1	1	1			1	
15	1339510	BALL BEARING 15x42x13	1	1	1	1		1	
16	1182200	SPACER COMP.	1	1	1	1		1	
17	1339520	BALL BEARING 15x35x11	1	1	1	1		1	
18	N9110730	WHEEL ASSY. REAR SILVER	1						
18A	N9111160	WHEEL ASSY. REAR BLACK		1	1	1			
18B	N9112430	WHEEL ASSY. REAR + TAPESET		1	1	1			
18C	N9113540	WHEEL ASSY. REAR + TAPESET						1	
19	N9110890	TYRE REAR 90/90-18 (KS)	1						
19A	N9111150	TYRE REAR 100/80-18A (ES)		1	1	1			
19B	N9113680	TYRE TUBELESS 17 x 90						1	
20	N9111790	TUBE ASSY.WHEEL INNER	1	1	1				
20A	N3110440	TUBE ASSY.WHEEL INNER				1			



REAR ALLOY WHEEL ASSEMBLY

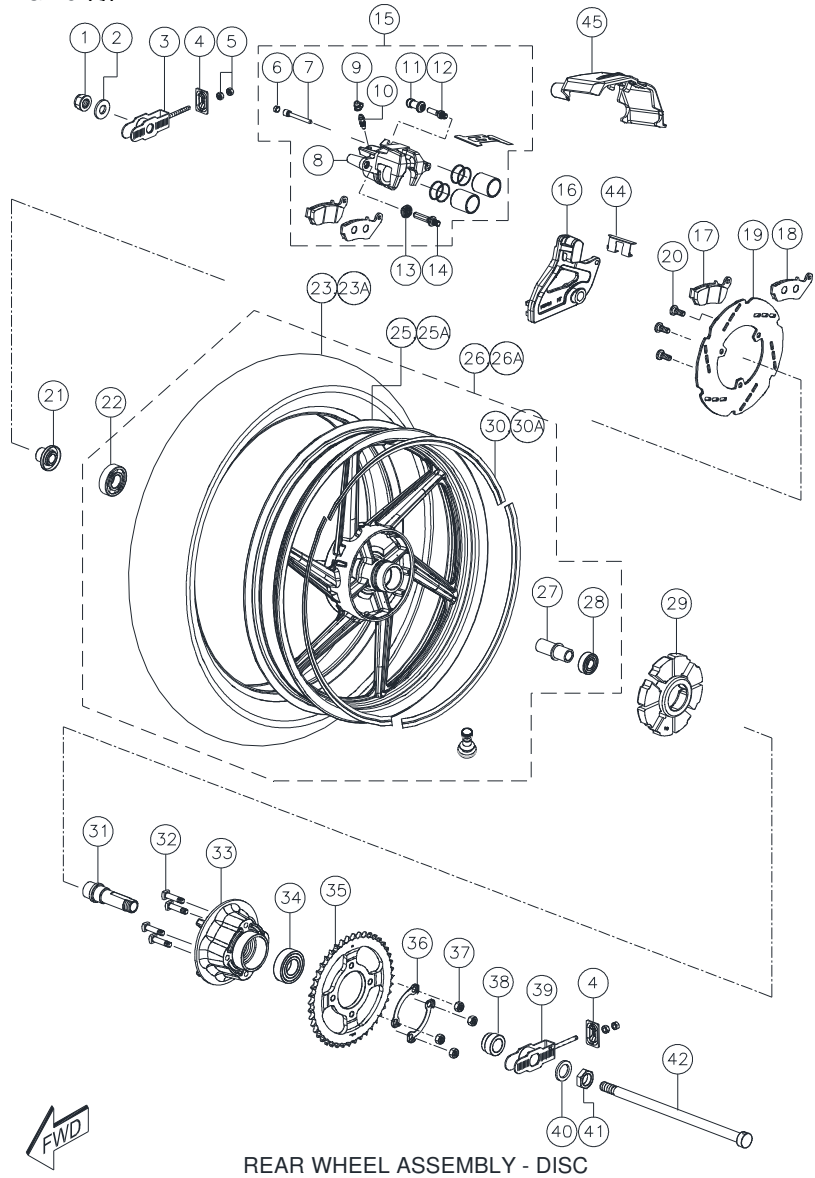
FIG.NO. 25

REF NO.	PART NO.	DESCRIPTION	NO. OFF					REMARKS	
			APACHE 150		RTR	RTR REF.	RTR EFI		RTR REF.
			DR BR	DISC FR BR	REAR DISC	NEW			
21	N3110450	PROTECTOR WHEEL INNER TUBE	1	1	1	1			
22	M7111630	ALLOY WHEEL RR SILVER (5 SPOKES)	1						
22A	N9111110	ALLOY WHEEL RR BLACK (6 SPOKES)		1	1	1			
22B	N9112730	ALLOY WHEEL WITH TAPE SET RR(6 SP)		1	1	1			
22C	N9112770	ALLOY WHEEL WITH TAPE SET RR(6 SP)					1	TUBE LESS	
23	N9110690	SHAFT REAR SPROCKET MTG.	1	1	1	1		1	
24	1181150	ABSORBER RR WHEEL HUB SHOCK	1	1	1	1		1	
25	0331318	BOLT REAR SPROCKET	4	4	4	4		4	
26	1181070	DRUM REAR SPROCKET-130 DIA	1	1	1	1		1	
27	N9111560	SPROCKET REAR 44T	1	1	1	1		1	
28	1181160	WASHER REAR SPROCKET	2	2	2	2		2	
29	0334548	HEX NUT M8	4	4	4	4		4	
30	1339120	BALL BEARING 25x52x15	1	1	1	1			
31	N9090940	CHAIN ADJUSTER COMP. LH	1	1					
31A	N9091330	CHAIN ADJUSTER COMP. LH			1	1		1	
32	M7110740	SPACER RR AXLE LH	1	1	1	1		1	
33	0334640	HEX NUT M20	1	1	1	1		1	
34	M7200010	PUNCHED WASHER 21.6x32x3.2	1	1	1	1		1	
35	M7110580	AXLE COMP. REAR	1	1	1	1			
35A	N9110700	AXLE COMP. REAR						1	
36	M7321470	CHAIN & SPROCKET KIT 13/44/118L	1	1					**
36A	N9322710	CHAIN & SPROCKET KIT 13/44/124L			1	1		1	**
37	N9214130	TAPE SET REAR WHEEL		6	6	6			N.I
38	N9322320	TAPESET KIT WHEEL RR (6 PIECES)		1	1	1			"
39	N9222359	TAPESET KIT WHEEL RR (6 PIECES)						1	"

\*\* - REF. KIT & KIT CONTENTS

N.I - NOT ILLUSTRATED

FIG.No. 26

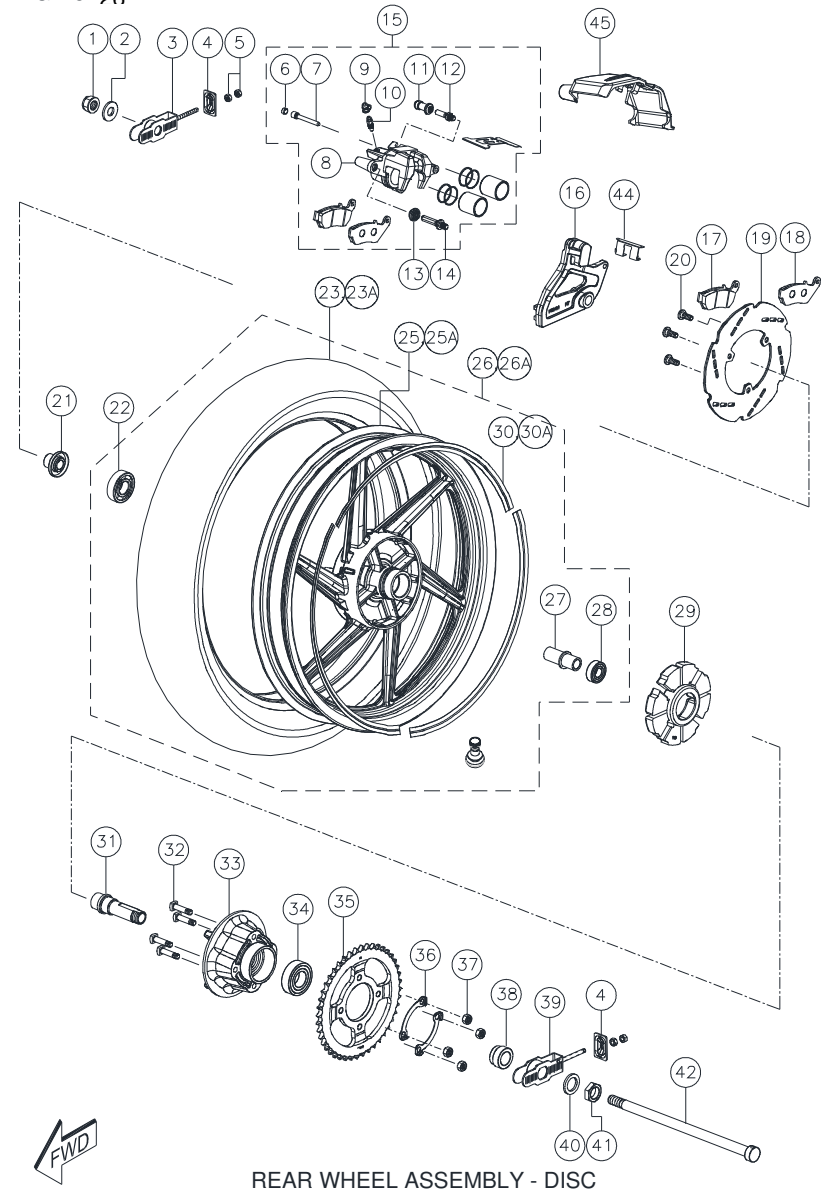


**REAR WHEEL ASSEMBLY - EFI (DISC)**

FIG.NO. 26

REF NO.	PART NO.	DESCRIPTION	NO. OFF					REMARKS
			APACHE 150		RTR REF.	RTR EFI	RTR REF.	
			DR BR	DISC FR BR	REAR DISC	NEW		
								REF. KIT
1	K200410	U NUT M14x1.5				1	1	
2	M7200020	WASHER 14.5x32x3.2				1	1	
3	N9091340	CHAIN ADJUSTER RH				1	1	
4	N3091850	CLAMP CHAIN ADJUSTER				2	2	
5	420305700	HEX NUT M6				4	4	
6	---	PLUG PIN				1	1	N9322190
7	---	PIN HANGER				2	2	"
8	---	BODY CALIPER REAR				1	1	"
9	---	CAP BLEEDER				1	1	N9322250
10	---	BLEEDER				1	1	"
11	---	BUSH BOOT PIN				1	1	N9322190
12	---	PIN BOLT B				1	1	N9322220
13	---	BOOT B				1	1	N9322190
14	---	PIN BOLT A				2	2	N9322220
15	N9112060	CALIPER ASSY. REAR				1	1	
16	---	BRKT COMP. REAR CALIPER				1	1	N9322220
17	---	PAD COMP. INNER				1	1	N9322240
18	---	PAD COMP. OUTER				1	1	N9322240
19	N9111340	DISC PLATE 200mm REAR				1	1	
20	M7110090	SCREW SPECIAL M8				3	3	
21	N9112190	SPACER COMP. RR WHEEL RH				1	1	
22	1339510	BALL BEARING 15x42x13				1	1	
23	N9111150	TYRE 100/80 - 18				1		
23A	N9113690	TYRE TUBELESS 17x 110					1	

FIG.No. 26



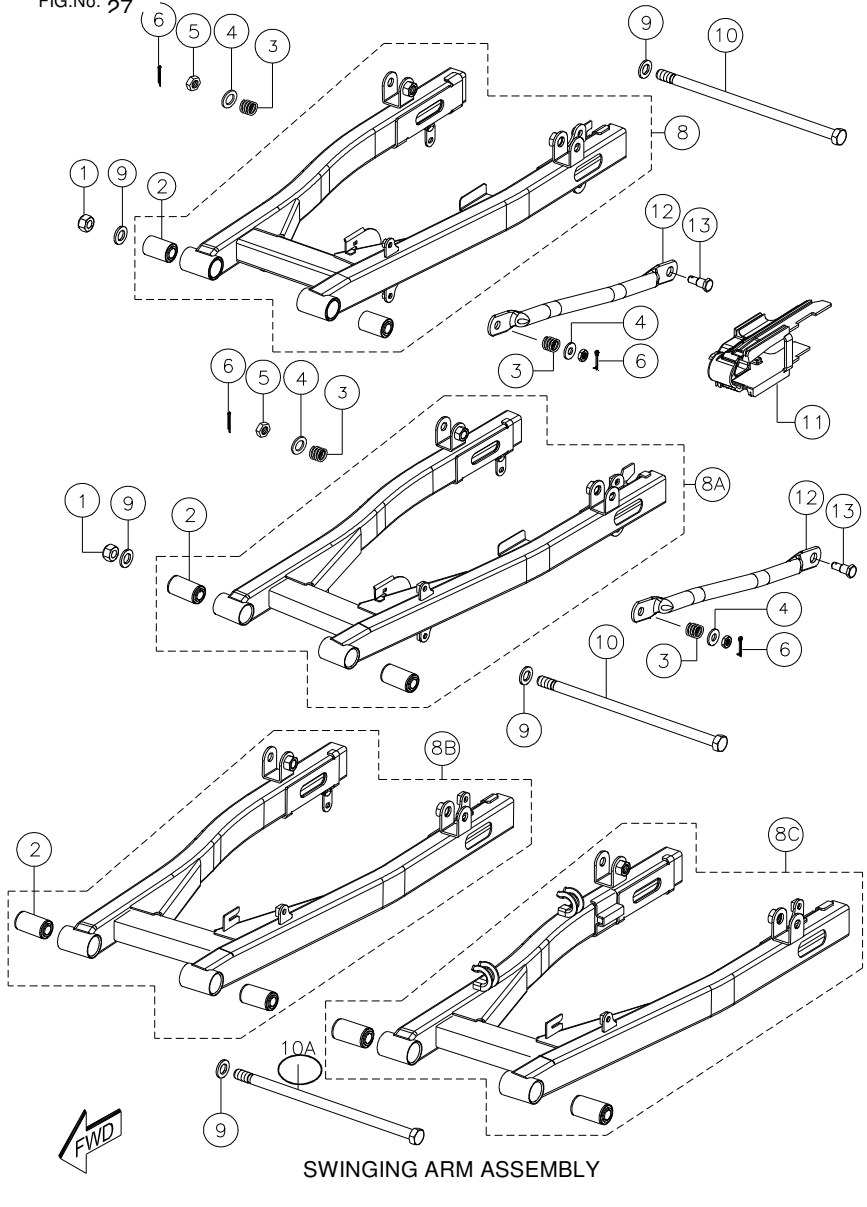
**REAR WHEEL ASSEMBLY - EFI (DISC)**

FIG.NO. 26

REF NO.	PART NO.	DESCRIPTION	NO. OFF					REMARKS	
			APACHE 150		RTR	RTR	RTR		
			DR BR	DISC FR BR	REF.	EFI	REF.		
24	N9111790	TUBE ASSY. WHEEL INNER					1		N.I
25	N9112090	ALLOY WHEEL RR DISC 2.15x18					1		
25A	N9112840	ALLOY WHEEL RR DISC 17x2.15						1	
26	N9112100	REAR WHEEL ASSY. DISC					1		
26A	N9113720	REAR WHEEL ASSY. DISC						1	
27	1182200	SPACER COMP.					1	1	
28	1339520	BALL BEARING 15x35x11					1	1	
29	1181150	SHOCK ABSORBER RR WHEEL HUB					1	1	
30	N9214130	TAPASET REAR WHEEL					6	6	
30A	N9222359	TAPASET WHEEL FR RIM 17 RED						1	
31	N9110690	SHAFT REAR SPROCKET MTG					1	1	
32	0331318	BOLT REAR SPROCKET					4	4	
33	1181070	DRUM REAR SPROCKET 130DIA					1	1	
34	1339120	BALL BEARING 25x52x15					1	1	
35	N9111560	SPROCKET REAR 44T					1	1	
36	1181160	WASHER REAR SPROCKET					2	2	
37	0334548	HEX NUT M8					4	4	
38	M7110740	SPACER REAR AXLE LH					1	1	
39	N9091330	CHAIN ADJUSTER COMP. LH					1	1	
40	M7200010	WASHER 21.6x32x3.2					1	1	
41	0334640	HEX NUT M20					1	1	
42	N9110700	REAR AXLE 15x290					1	1	
43	N9322320	TAPASET KIT WHEEL RR (6PIEC)					1		N.I
44	N9323730	PAD SPRING RR DISC BRAKE					1	1	
45	N9113410	COVER REAR DISC					1	1	
46	N9322220	PLATE BRKT					1	1	

\*\* - REF. KIT & KIT CONTENTS

FIG.No. 27

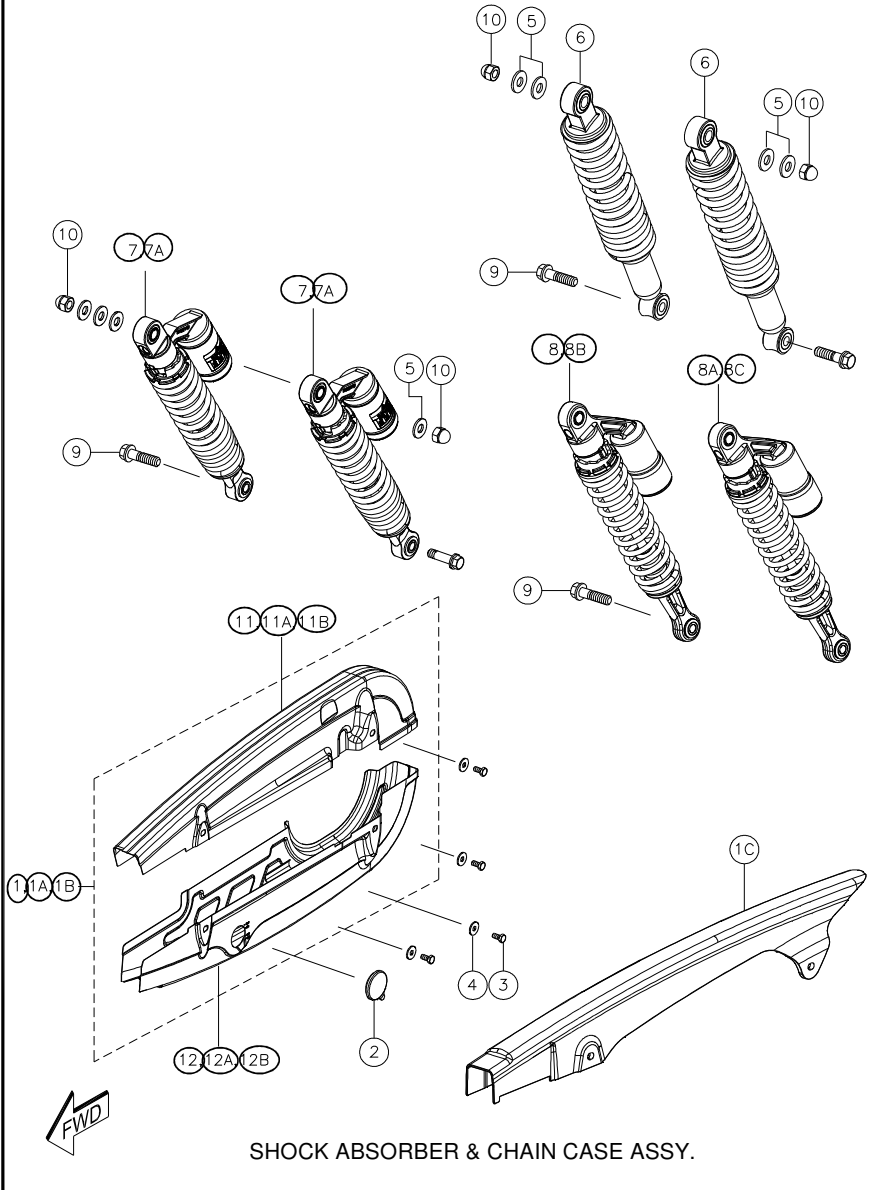


SWINGING ARM ASSEMBLY

FIG.NO. 27

REF NO.	PART NO.	DESCRIPTION	NO. OFF					REMARKS	
			APACHE 150		RTR	RTR	RTR		
			DR BR	DISC FR BR	REF.	EFI	REF.		
1	0334158	NUT REAR SWINGING ARM PIVOT	1	1	1	1	1	1	
2	N3090670	BUSH SWING ARM	2	2	2	2	2	2	
3	3207018	SPRING	2	2	2	1		1	(DRUM)
4	0336018	PUNCHED WASHER 8.5x20x2	2	2	2	2		2	"
5	0334218	HEX NUT M8x8	2	2	2	2		2	"
6	0330048	SPLIT PIN 2x20	2	2	2	2		2	"
7	0330318	WAVE SPRING WASHER			1	1		1	"
8	N9321350	SWING ARM ASSY.BLACK (W BUSH)	1	1					"BLOCKED"
8A	N9321960	SWING ARM ASSY. BLACK (W BUSH)			1				
8B	N9322300	SWING ARM ASSY. BLACK (W BUSH)				1			
8C	N9091650	SWING ARM ASSY. BLACK (W BUSH)					1	1	
9	0335678	PUNCHED WASHER 12.5x24x3.2	2	2	2	2	2	2	
10	N5111050	SHAFT COMP. SWINGARM	1	1	1				
10A	C8090230	AXLE 12x225				1	1	1	
11	N8090380	BUFFER CHAIN TOUCH	1	1	1	1	1	1	
12	M7090970	TORQUE LINK COMP REAR	1	1	1	1		1	(DRUM)
13	N3090700	BOLT TORQUE LINK REAR	1	1	1	1		1	"



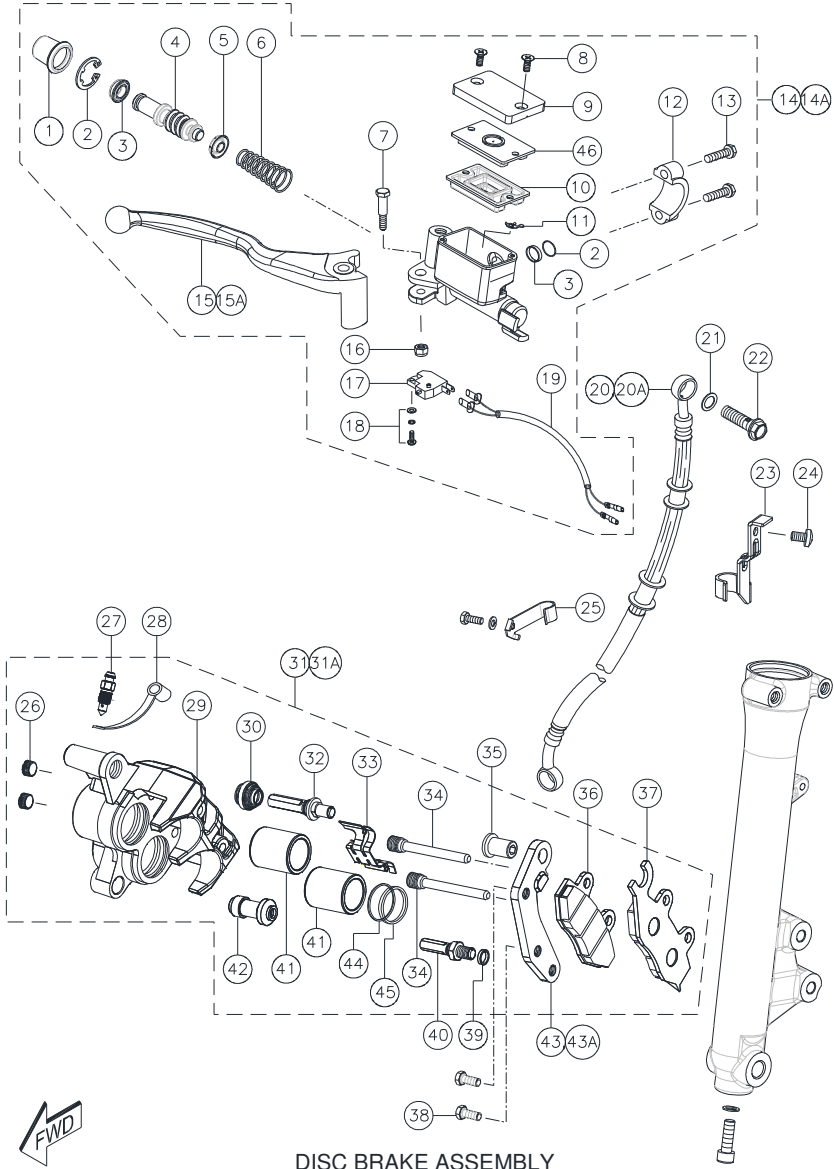

**SHOCK ABSORBER & CHAIN CASE ASSY.**

REF NO.	PART NO.	DESCRIPTION	NO. OFF					REMARKS	
			APACHE 150		RTR	RTR REF.	RTR EFI		RTR REF.
			DR BR	DISC FR BR	REAR DISC	NEW			
1	M7321600	CHAIN CASE SET COMPLETE	1						
1A	M7321610	CHAIN CASE SET COMPLETE BLACK	1						
1B	N9321950	CHAIN CASE SET COMPLETE		1					
1C	N9091700	CHAIN COVER			1	1	1		
2	409198000	DUST SEAL CHAIN COVER	1	1	1				
3	420452700	HEX SCREW M6x12	4	4	4	2		2	
4	420011700	3D WASHER A6.4	4	4	4	2		2	
5	0335628	PUNCHED WASHER 10.5x24x2.3	4	4	4	4		4	
6	N9091320	SHOCK ABSORBER REAR (BLACK SPRING)	2						
7	N9091000	SHOCK ABSORBER RR(BLACKSPRING)		2					
7A	N9091300	SHOCK ABSORBER RR(RED SPRING)		2					
8	N9091450	SHOCK ABSORBER RH (RED SPRING)			1				
8A	N9091750	SHOCK ABSORBER LH (RED SPRING)			1				
8B	N9091760	SHOCK ABSORBER RH (BLACK SPRING)		2	2	2	2		
9	N3200050	HEX FLANGE BOLT M10x1.5x36	2	2	2	2		2	
10	0334047	DOMED CAP NUT M10x25	2	2	2	2		2	
11	N9091260	CHAIN CASE COMP. UPPER SILVER	1						
11A	N90912605D	CHAIN CASE COMP. UPPER BLACK		1					
11B	N9091490	CHAIN CASE COMP. UPPER BLACK			1				
12	N9091270	CHAINCASE COMP. LOWER SILVER	1						
12A	N90912705D	CHAINCASE COMP. LOWER BLACK		1					
12B	N9091530	CHAINCASE COMP. LOWER BLACK			1				





FIG.No.29



DISC BRAKE ASSEMBLY

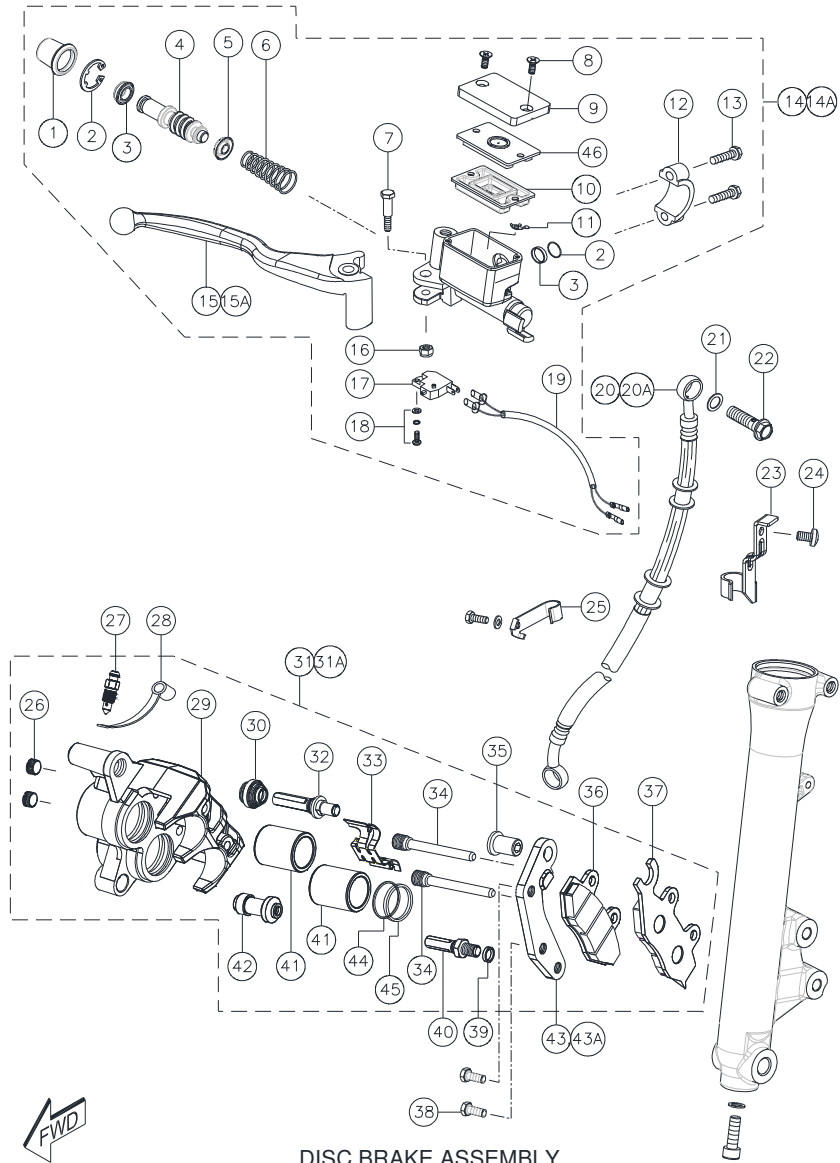


DISC BRAKE ASSEMBLY

FIG.NO. 29

REF NO.	PART NO.	DESCRIPTION	NO. OFF					REMARKS	
			APACHE 150		RTR REF.	RTR EFI	RTR REF.		
			DR BR	DISC FR BR	REAR DISC	NEW			
1	----	BOOTS ASSEMBLY		1	1	1	1	1	REF. KIT. No. N9321490
2	----	SNAP RING		1	1	1	1	1	"
3	----	S CUP		1	1	1	1	1	"
4	----	PISTON		1	1	1	1	1	"
5	----	P CUP		1	1	1	1	1	"
6	----	SPRING		1	1	1	1	1	"
7	----	HAND LEVER BOLT		1	1	1	1	1	N9321500
8	----	SCREW RESERVOIR CAP		2	2	2	2	2	N9321530
9	----	RESERVOIR CAP		1	1	1	1	1	"
10	N9322010	DIAPHRAGM		1	1	1	1	1	N9321490
11	----	PROTECTOR		1	1	1	1	1	"
12	----	HOLDER		1	1	1	1	1	N9321510
13	----	HOLDER BOLT		2	2	2	2	2	"
14	N9111140	ASSY. MASTER CYLINDER		1					
14A	N91111403C	ASSY. MASTER CYLINDER			1	1	1	1	
15	----	LEVER RH		1					N9321500
15A	----	LEVER RH			1	1	1	1	N9322020
16	----	FLANGE NUT		1	1	1	1	1	N9321500
16A	----	FLANGE NUT			1	1	1	1	
17	----	SWITCH ASSY		1	1	1	1	1	N9321520
18	----	SCREW & WASHER		1	1	1	1	1	"
19	----	SUB HARNESS		1	1	1	1	1	"
20	----	HOSE COMP BRAKE		1					N9321540
20A	----	HOSE COMP BRAKE			1	1	1	1	N9322030
21	N9111330	GASKET		4	4	4	4	4	N9321540
22	N9111320	BANJO BOLT		2	2	2	2	2	"
23	N9111270	CLAMP HOSE UNDER BRACKET		1	1	1	1	1	
24	3257448	SCREW M6x10		1	1	1	1	1	

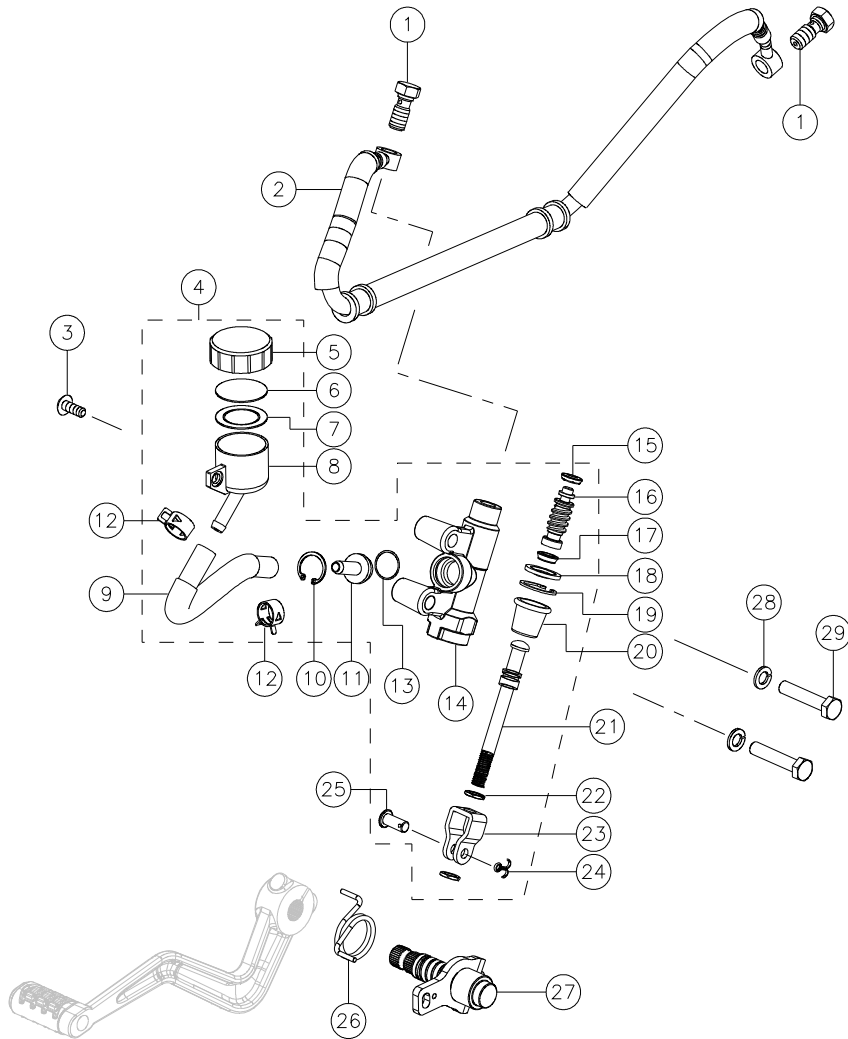
FIG.No.29



**DISC BRAKE ASSEMBLY**

FIG.NO. 29

REF NO.	PART NO.	DESCRIPTION	NO. OFF					REMARKS	
			APACHE 150		RTR	RTR REF.	RTR EFI		RTR REF.
			DR BR	DISC FR BR	REAR DISC	NEW			
25	N9111220	CLAMP BRAKE HOSE		1	1	1	1	1	REF. KIT. No.
26	----	PLUG PIN		2	2	2	2	2	
27	----	BLEEDER		1	1	1	1	1	N9321600
28	----	CAP BLEEDER		1	1	1	1	1	"
29	----	BODY CALIPER COMP.		1	1	1	1	1	
30	----	BOOT B		1	1	1	1	1	N9321550
31	N9111120	CALIPER ASSY. DIA 27 TWIN PORT		1					
31A	N9111930	CALIPER ASSY.			1	1	1	1	
32	----	PIN BOLT A		1	1	1	1	1	N9321550
33	----	SPRING PAD		1	1	1	1	1	"
34	----	PIN HANGER		2	2	2	2	2	"
35	----	INNER HEX NUT		1	1	1	1	1	N9321570
36	----	PAD COMP INNER		1	1	1	1	1	N9111300
37	----	PAD COMP OUTER		1	1	1	1	1	"
38	U2200010	HEX FLANGE BOLT M8x27		2	2	2	2	2	
39	----	SPRING WASHER		1	1	1	1	1	N9321570
40	----	PIN BOLT B		1	1	1	1	1	N9321550
41	----	PISTON CALIPER		2	2	2	2	2	"
42	----	BUSH BOOT PIN		1	1	1	1	1	"
43	----	BRACKET COMP FRONT		1					N9321570
43A	----	BRACKET COMP FRONT			1	1	1	1	N9321860
44	----	DUST SEAL 1		2	2	2	2	2	N9321550
45	----	DUST SEAL 2		2	2	2	2	2	"
46	----	PLATE DIAPHRAGM		1	1	1	1	1	N9321530

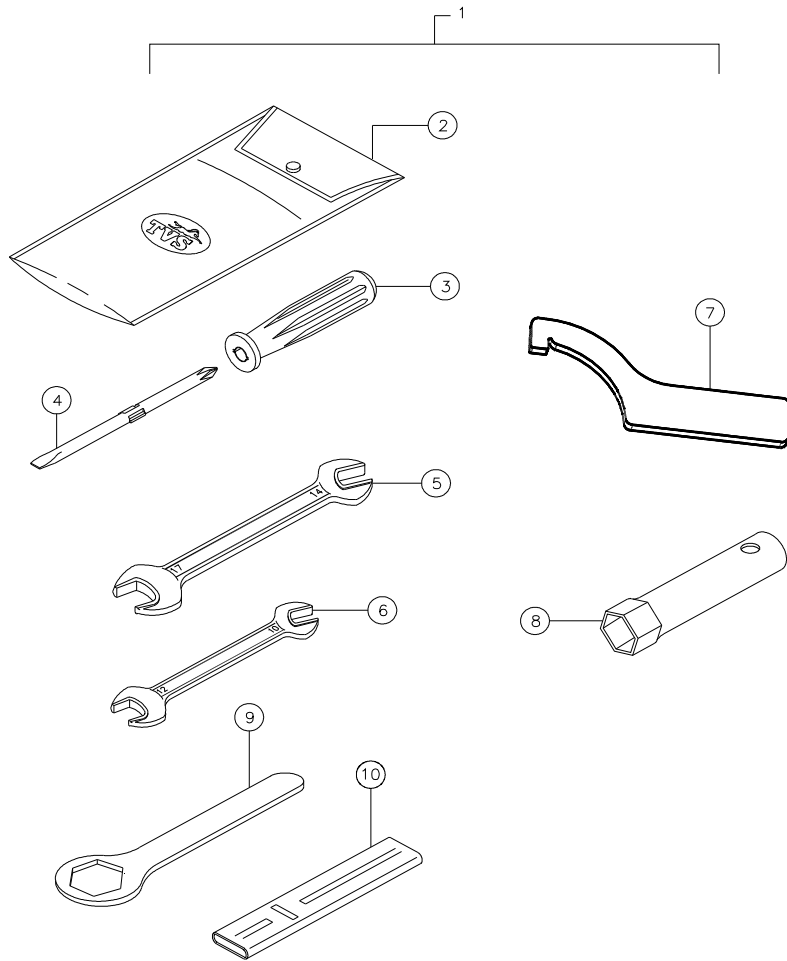


MASTER CYLINDER ASSY. RR DISC BRAKE

## MASTER CYLINDER ASSY. RR DISC BRAKE

FIG.NO. 30

REF NO.	PART NO.	DESCRIPTION	NO. OFF					REMARKS	
			APACHE 150		RTR REF.	RTR EFI	RTR REF.		
			DR BR	DISC FR BR	REAR DISC	NEW			
								REF. KIT. No.	
1	M7110330	BANJO BOLT					2	2	
2	N9111430	BRAKE HOSE & OIL RESERVOIR					1	1	
3	0332275	CRR PAN HEAD SCREW					1	1	
4	N9112070	MASTER CYLINDER ASSY. RR DISC BR.					1	1	
5	---	CAP OIL TANK					1	1	N9322270
6	---	PLATE DIAPHRAGM					1	1	"
7	---	DIAPHRAGM					1	1	"
8	---	OIL TANK					1	1	"
9	---	HOSE OIL					1	1	N9322260
10	---	CIRCLIP					1	1	"
11	---	INSERT (LOOSE FITTING)					1	1	"
12	---	BUCKLE HOSE					2	2	"
13	---	O RING					1	1	"
14	---	M/C BODY REAR					1	1	"
15	---	CUP PRIMARY					1	1	"
16	---	PISTON M/C REAR					1	1	"
17	---	CUP SECONDARY					1	1	"
18	---	STOP PLATE					1	1	"
19	---	CIRCLIP					1	1	"
20	---	BOOT COMP.					1	1	"
21	---	BUSH ROD					1	1	"
22	---	NUT ROD					2	2	"
23	---	JOINT ROD					1	1	"
24	---	COTTER PIN					1	1	"
25	---	PIN					1	1	"
26	N9111870	SPRING BRAKE RETURN					1	1	
27	N9111840	SHAFT COMP. BRAKE PEDAL					1	1	
28	0330318	SPRING WASHER					2	2	
29	42095700	HEX SCREW M8x40					2	2	



TOOL KIT

**TOOL KIT**

REF NO.	PART NO.	DESCRIPTION	NO. OFF					REMARKS	
			APACHE 150		RTR	RTR REF.	RTR EFI		RTR REF.
			DR BR	DISC FR BR	REAR	DISC	NEW		
1	N9212270	TOOL KIT SET	1	1	1	1	1	1	
2	---	TOOL BAG	1	1	1	1	1	1	
3	---	GRIP DRIVER	1	1	1	1	1	1	
4	---	BIT (+) (-)	1	1	1	1	1	1	
5	---	OPEN END SPANNER 14x17	1	1	1	1	1	1	
6	---	OPEN END SPANNER 10x12	1	1	1	1	1	1	
7	---	ADJUSTER SHOCK ABSORBER RR	1	1	1	1	1	1	
8	---	BOX SPANNER 16	1	1	1	1	1	1	
9	---	RING SPANNER	1	1	1	1	1	1	
10	---	HANDLE RING SPANNER	1	1	1	1	1	1	
<b><u>SPECIAL TOOL</u></b>									
1	M1310010	HOLDER ASSY.							
2	M1310020	PULLER ASSY. ROTOR							
3	M1310070	TAPPET ADJUSTER							
4	M1310110	PULLER ASSEMBLY							
5	N9322410	PC DYN							